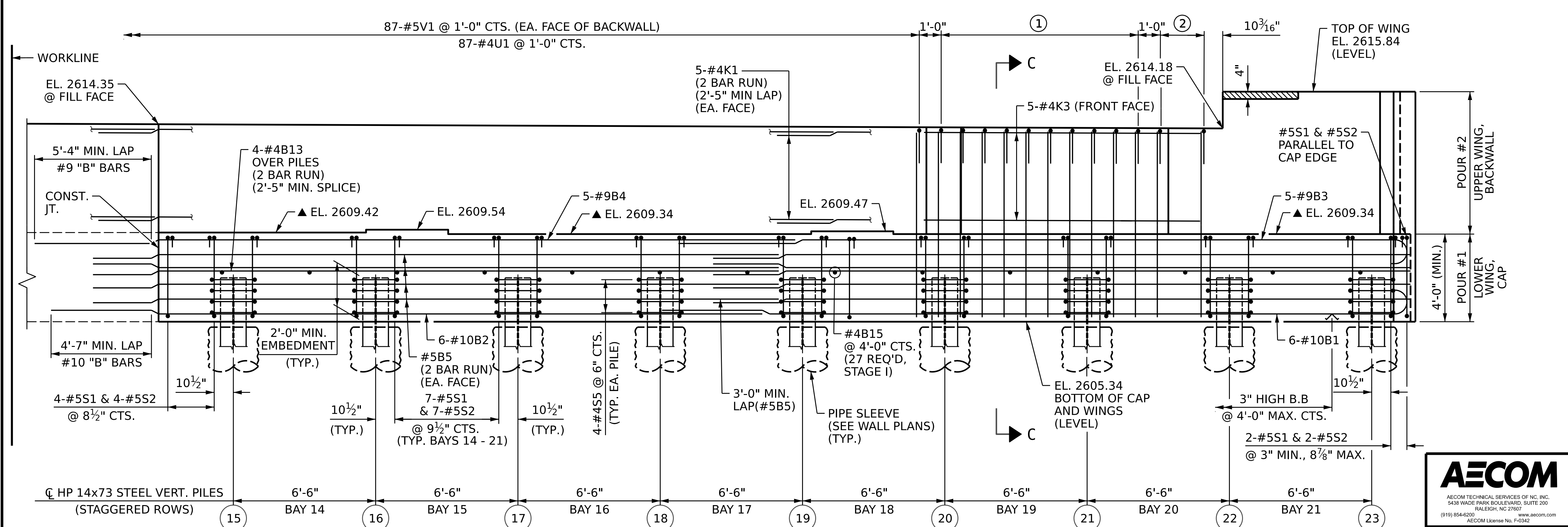
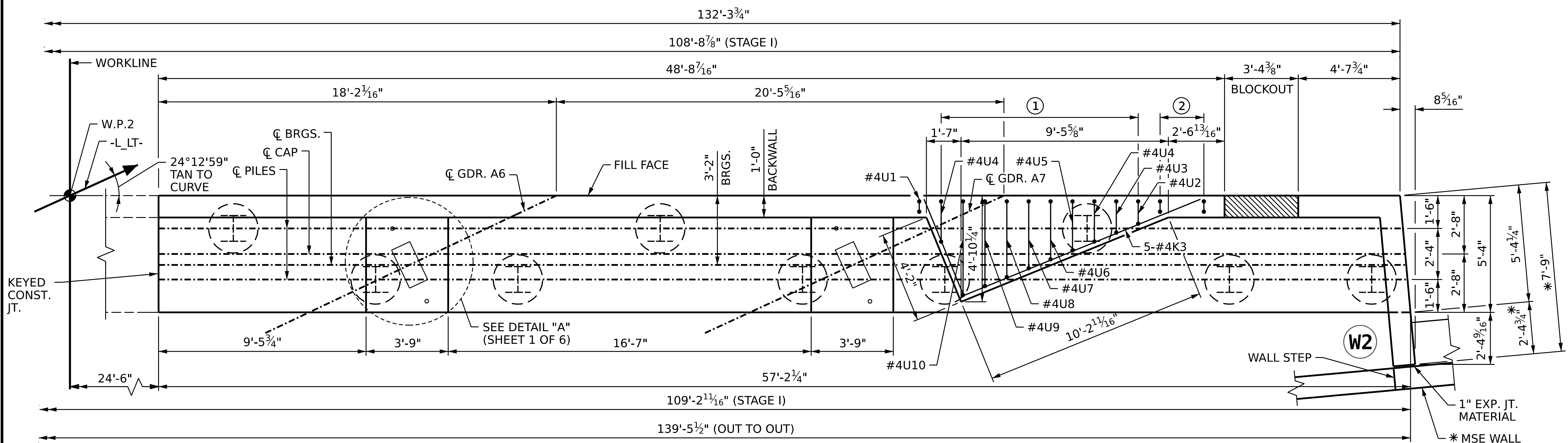
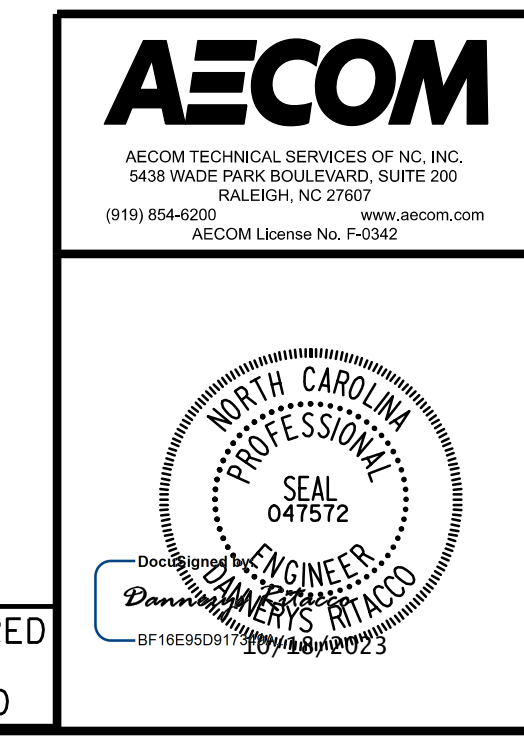


* A COPING THICKNESS OF 12" WAS ASSUMED FOR ESTABLISHING WING LENGTH. CONTRACTOR SHALL ADJUST WING LENGTH AS NECESSARY.



- ① 10-#5V1 (EA. FACE OF BACKWALL) & #4U2 THRU #4U10 @ 1'-0" CTS.
- ② 3-#5V1 (EA. FACE OF BACKWALL) & 3-#4U1 @ 1'-0" CTS.

PROJECT NO. B-3186 / B-5898
HAYWOOD COUNTY
 STATION: 32+21.34 -L_ LT-
 SHEET 2 OF 6



STATE OF NORTH CAROLINA DEPARTMENT OF TRANSPORTATION RALEIGH					
SUBSTRUCTURE END BENT 2 STAGE I - PART 2					
REVISIONS					
NO.	BY:	DATE:	NO.	BY:	DATE:
1			3		
2			4		
					SHEET NO. S1-35
					TOTAL SHEETS 43

DRAWN BY: D. RITACCO DATE: 04/2023
 CHECKED BY: S. NATARAJAN DATE: 04/2023
 DESIGN ENGINEER OF RECORD: D. RITACCO DATE: 04/2023

DOCUMENT NOT CONSIDERED
 FINAL UNLESS ALL
 SIGNATURES COMPLETED