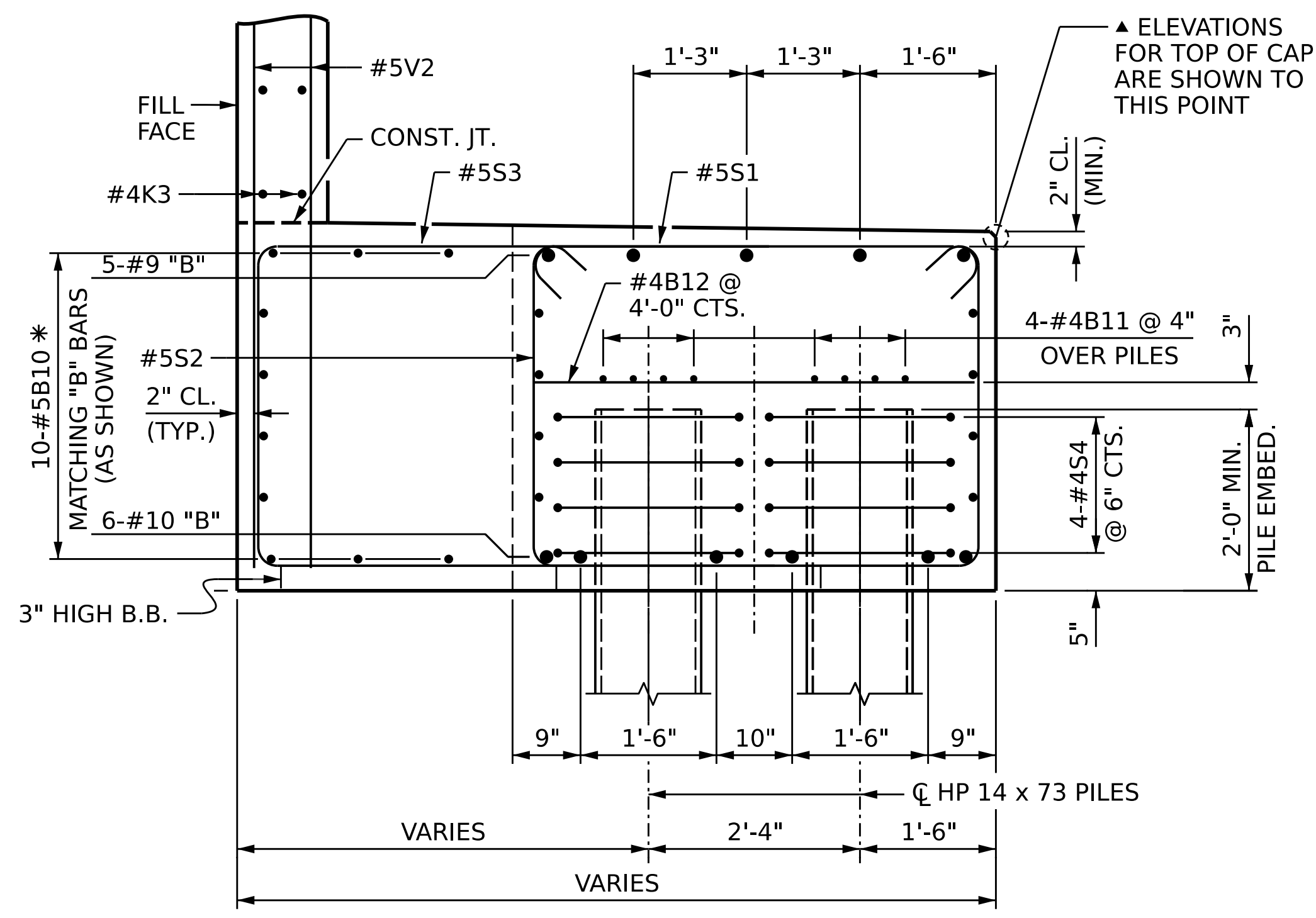
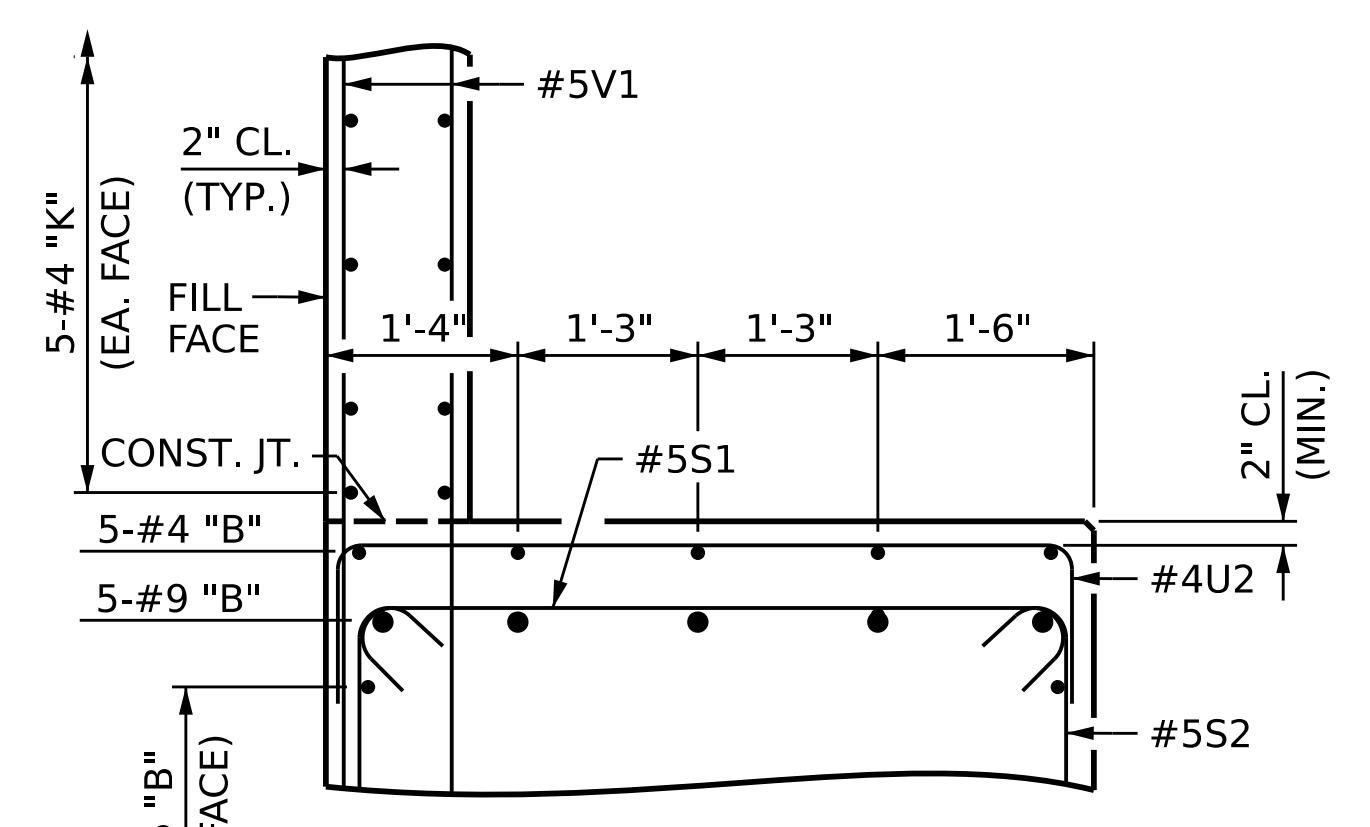


SECTION A-A

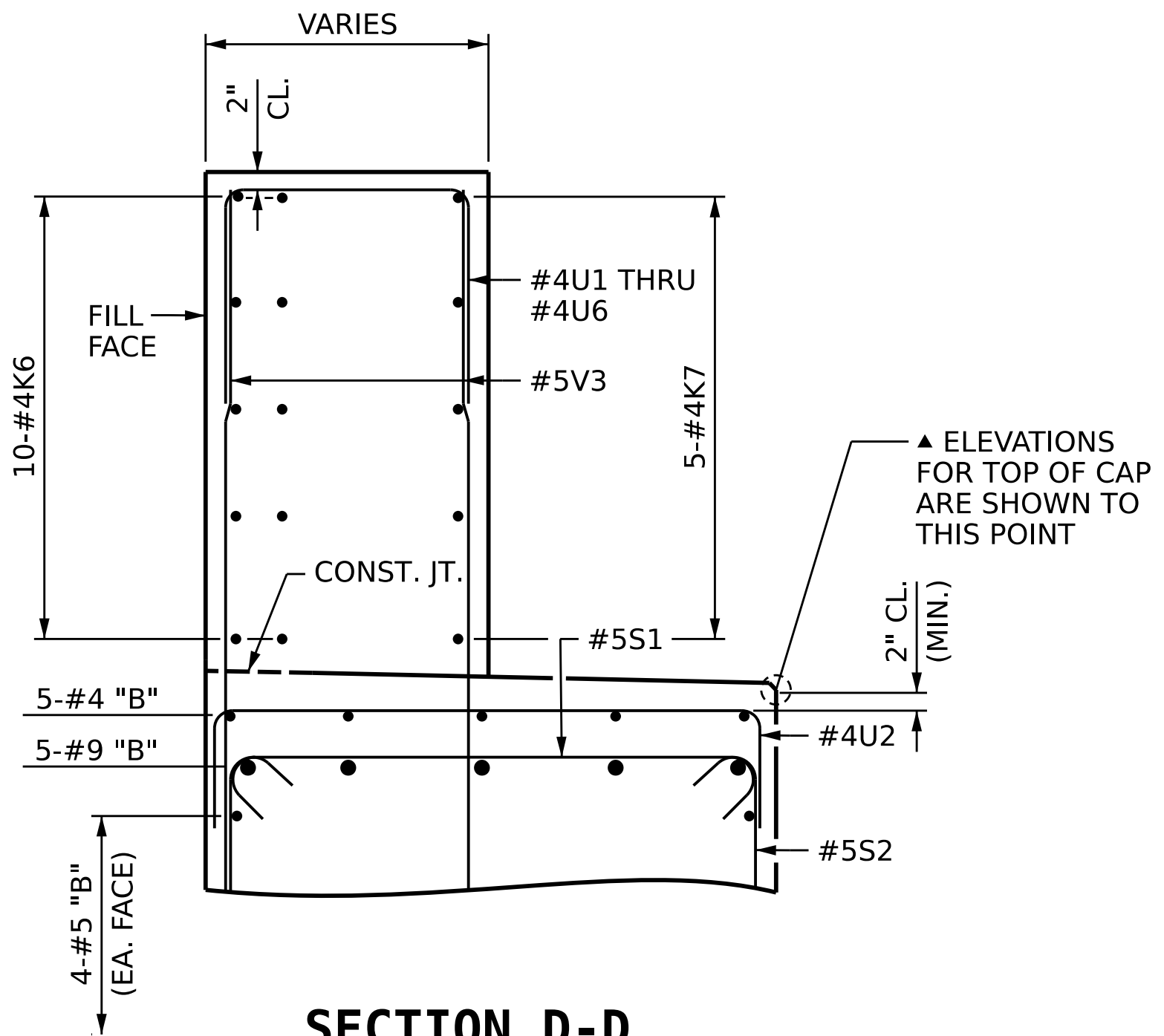


SECTION C-C

* 3-#5B10 (TOP AND BOTTOM) TO MATCH #10B1 & #9B5
AND 3-#5B10 (NEAR FACE) MATCHING #5B4

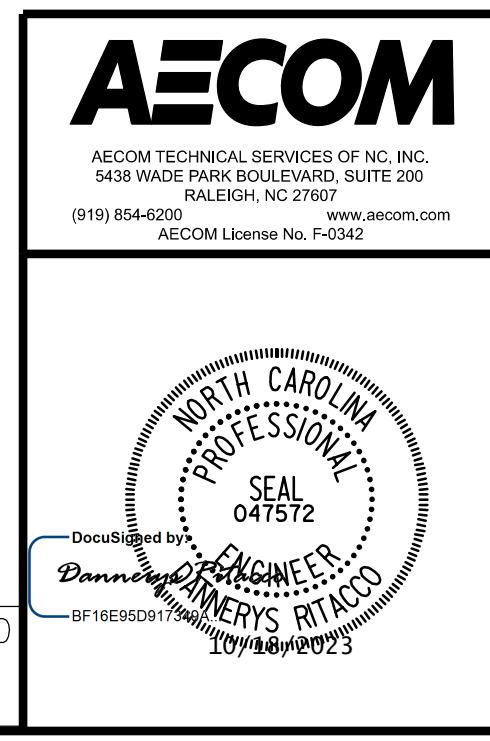


SECTION B-B



SECTION D-D

PROJECT NO. B-3186 / B-5898
HAYWOOD COUNTY
 STATION: 32+21.34 -L LT-
 SHEET 5 OF 6



STATE OF NORTH CAROLINA DEPARTMENT OF TRANSPORTATION RALEIGH					
SUBSTRUCTURE END BENT 1 SECTIONS & DETAILS					
REVISIONS					
NO.	BY:	DATE:	NO.	BY:	DATE:
1			3		
2			4		
SHEET NO.					S1-32
TOTAL SHEETS					43

DRAWN BY : D. RITACCO DATE : 03/2023
 CHECKED BY : S. NATARAJAN DATE : 04/2023
 DESIGN ENGINEER OF RECORD : D. RITACCO DATE : 04/2023

DOCUMENT NOT CONSIDERED
FINAL UNLESS ALL
SIGNATURES COMPLETED