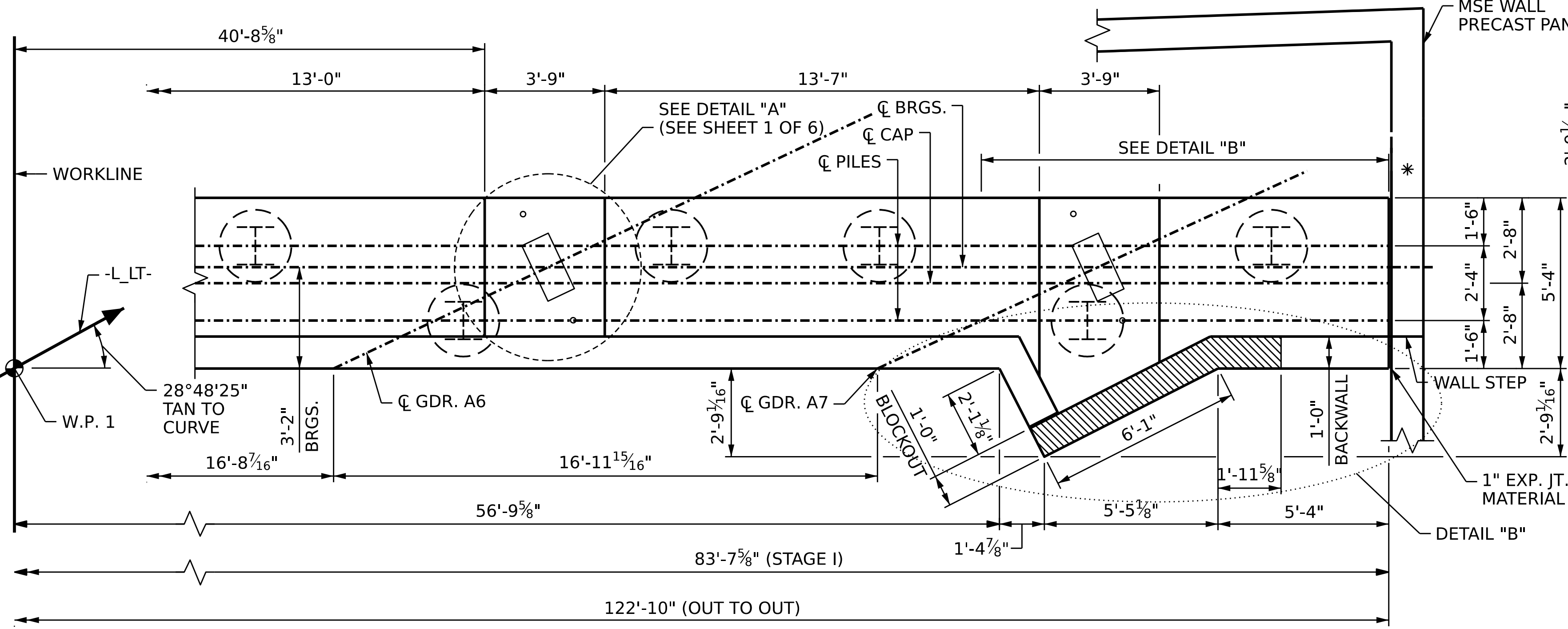
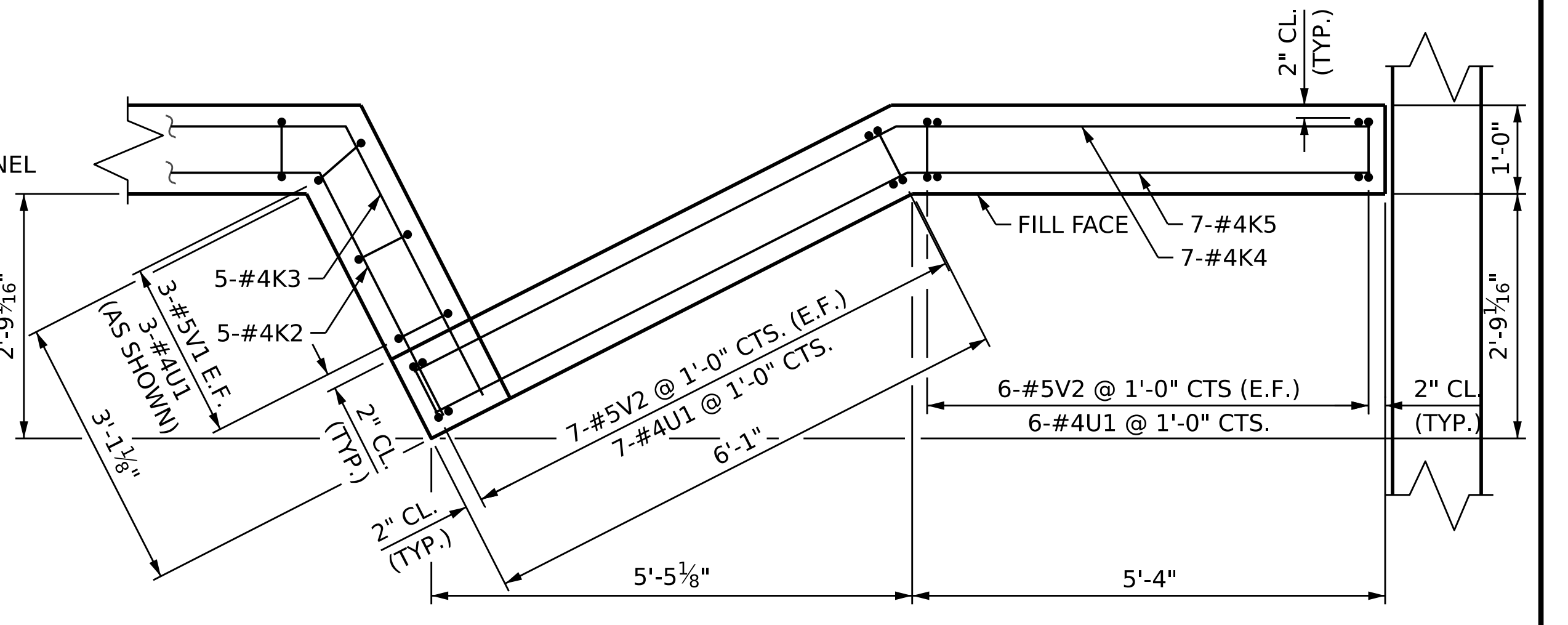


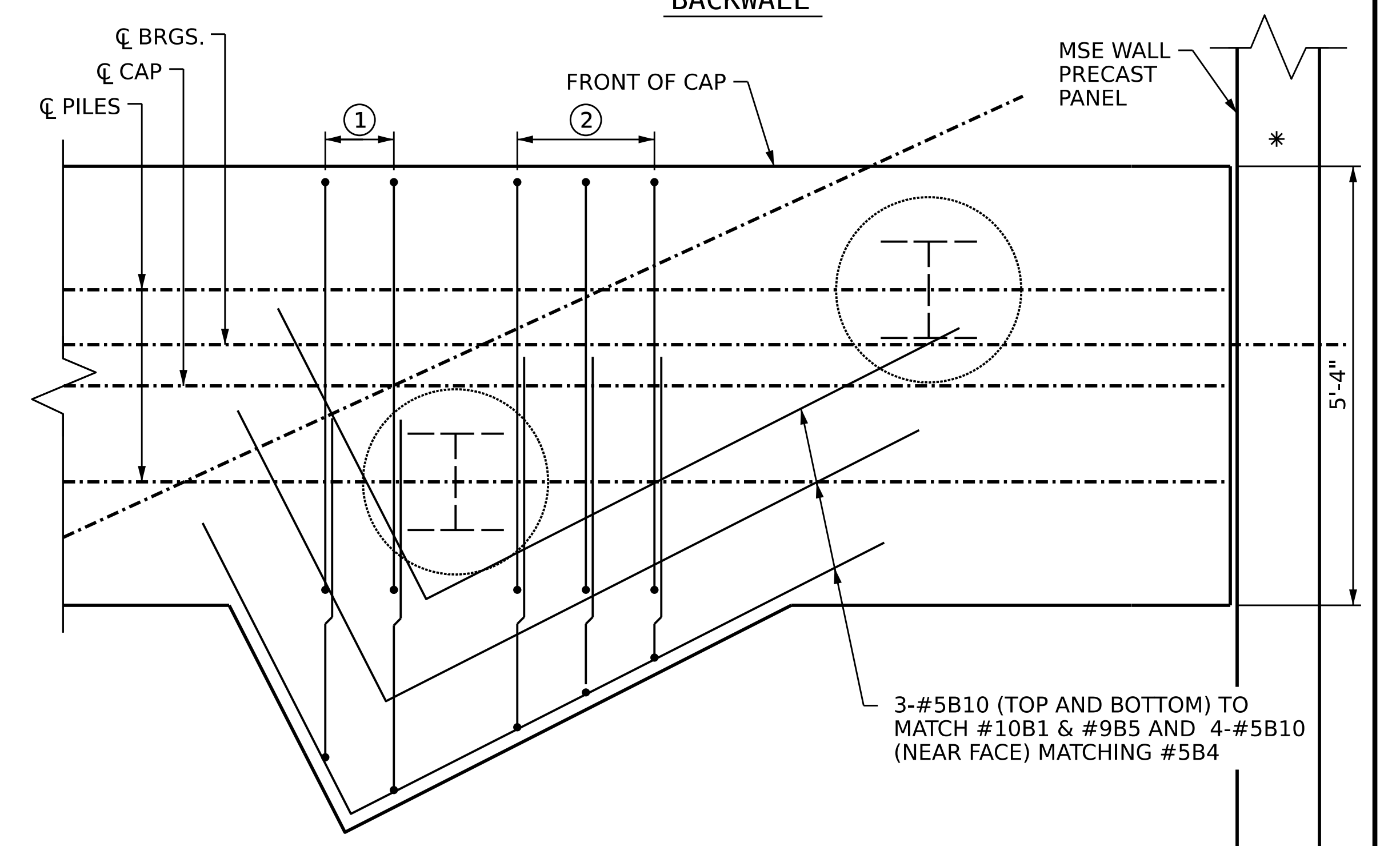
\* A PRECAST PANEL THICKNESS OF 12" WAS ASSUMED FOR ESTABLISHING WING LENGTH. CONTRACTOR SHALL ADJUST WING LENGTH AS NECESSARY.



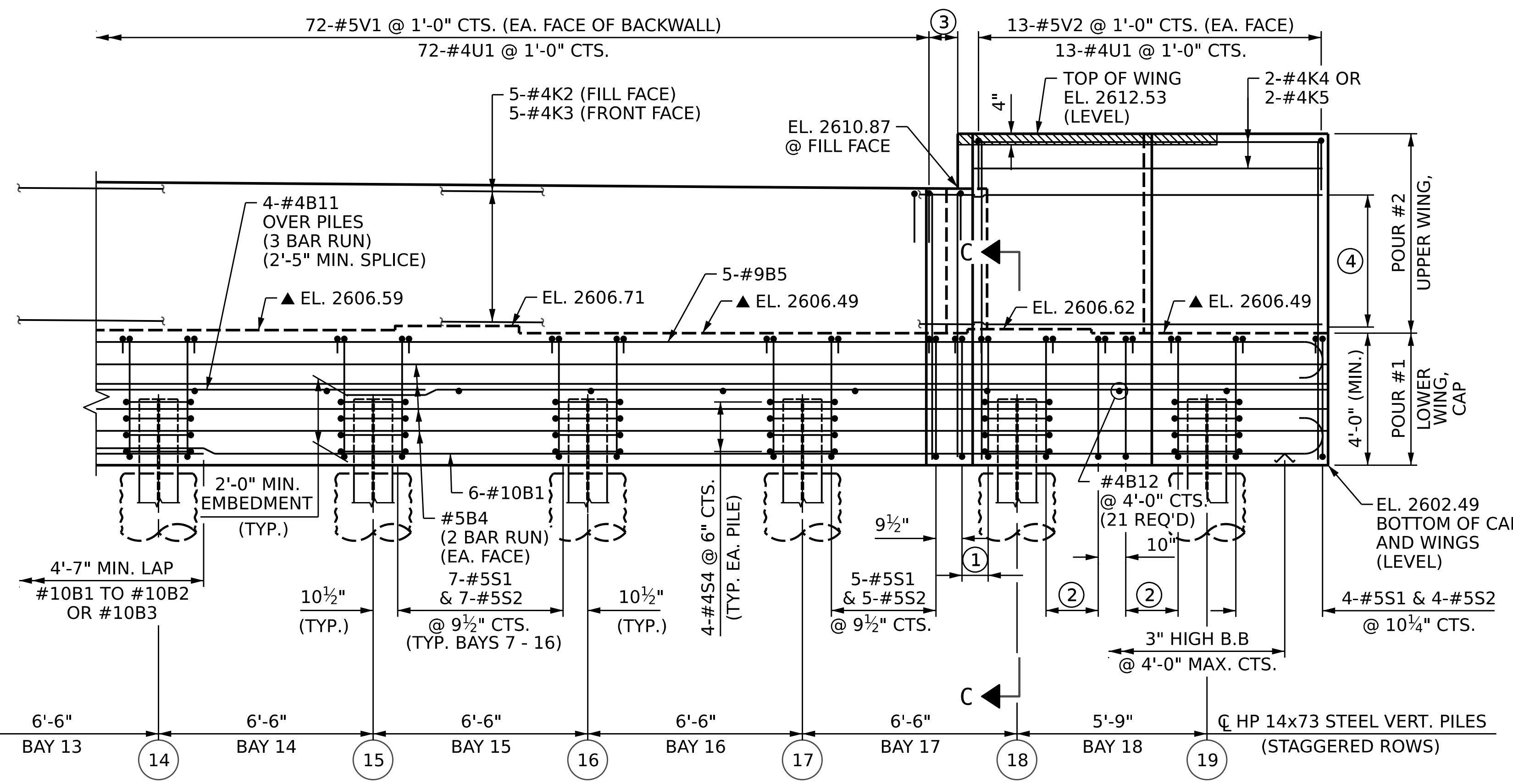
PLAN



BACKWALL



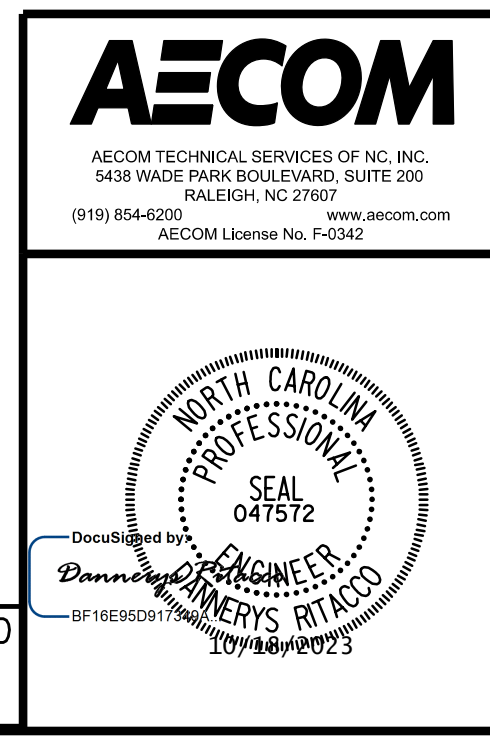
CAP  
DETAIL "B"



ELEVATION

- ① 2-#5S3 PAIRED WITH 2-#5S1 & 2-#5S2 @ 9 1/2" CTS.
- ② 3-#5S3 PAIRED WITH 3-#5S1 & 3-#5S2 @ 9 1/2" CTS.
- ③ 3-#5V1 @ 1-0" CTS. (EA. FACE)  
3-#4U1 @ 1-0" CTS.
- ④ 5-#4K4 OR 5-#4K5 TO MATCH "K" BARS IN BACKWALL (EA. FACE)

PROJECT NO. B-3186 / B-5898  
HAYWOOD COUNTY  
STATION: 32+21.34 -L LT-  
SHEET 2 OF 6



|  |     |       |     |     |       |
|--|-----|-------|-----|-----|-------|
| STATE OF NORTH CAROLINA<br>DEPARTMENT OF TRANSPORTATION<br>RALEIGH |     |       |     |     |       |
| SUBSTRUCTURE<br><b>END BENT 1</b><br>STAGE I - PART 2              |     |       |     |     |       |
| REVISIONS  |     |       |     |     |       |
| NO.  | BY: | DATE: | NO. | BY: | DATE: |
| 1  |     |       | 3   |     |       |
| 2  |     |       | 4   |     |       |
| SHEET NO.  |     |       |     |     | S1-29 |
| TOTAL SHEETS   |     |       |     |     | 43    |

|  |                |
|--|----------------|
| DRAWN BY : D. RITACCO                  | DATE : 03/2023 |
| CHECKED BY : S. NATARAJAN              | DATE : 04/2023 |
| DESIGN ENGINEER OF RECORD : D. RITACCO | DATE : 04/2023 |

▲ FOR LOCATION OF ELEVATIONS BETWEEN BRIDGE SEAT BUILDUPS, SEE SECTION A-A ON SHEET 5.

DOCUMENT NOT CONSIDERED FINAL UNLESS ALL SIGNATURES COMPLETED