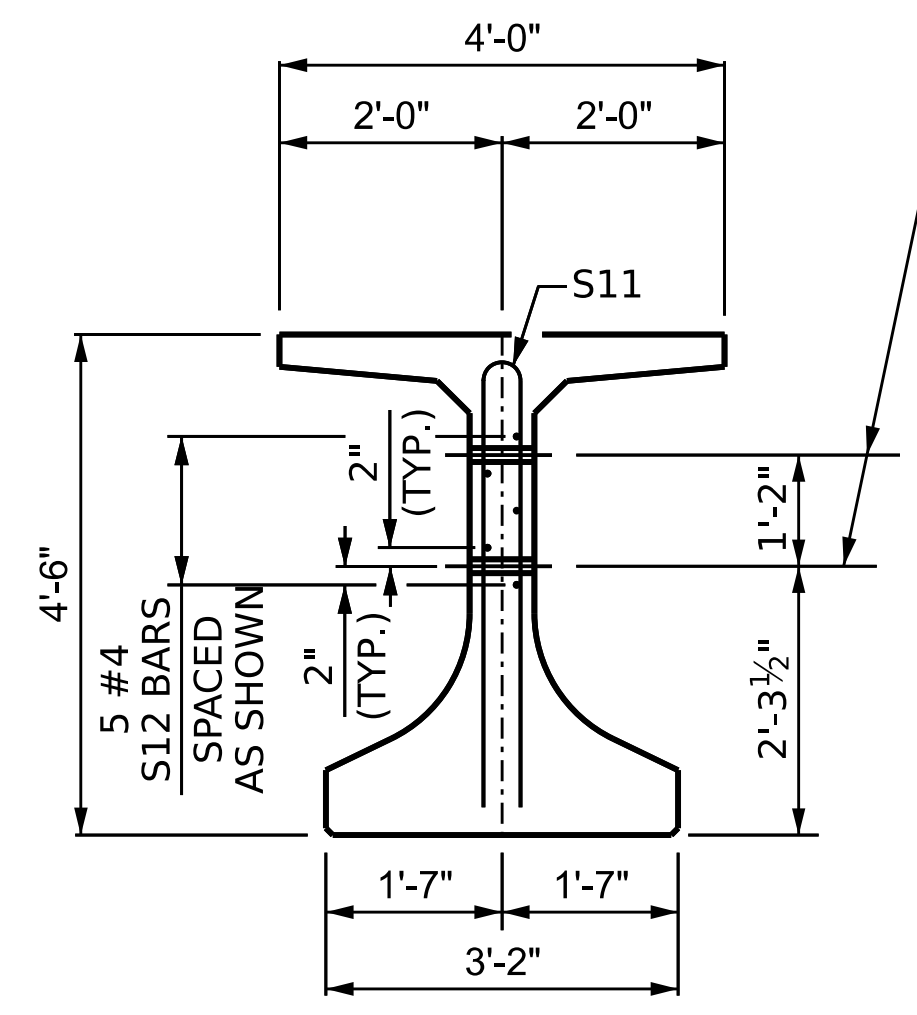
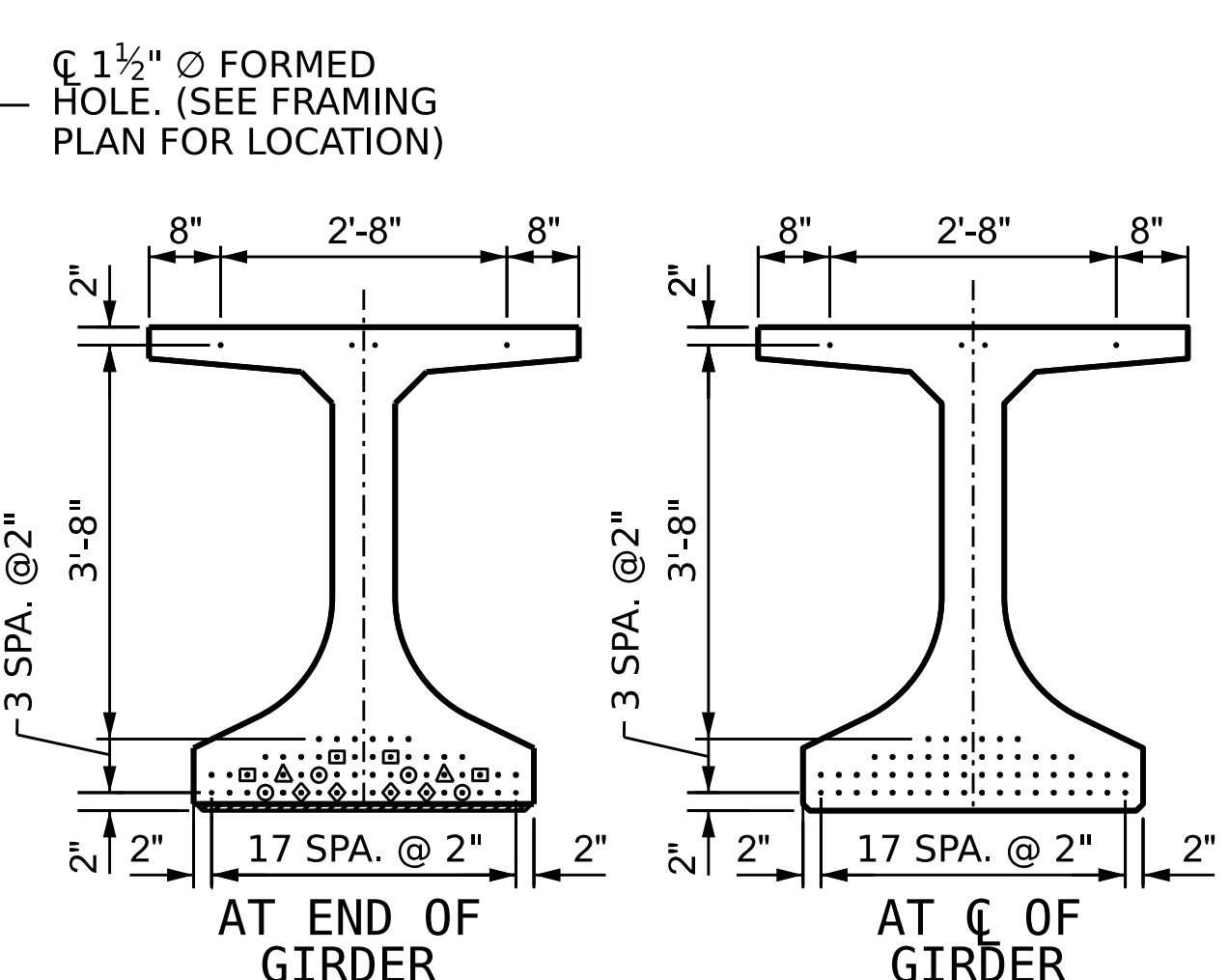


**SECTION A-A**



**SECTION B-B**

(S8, S9 AND S10 BARS NOT SHOWN)

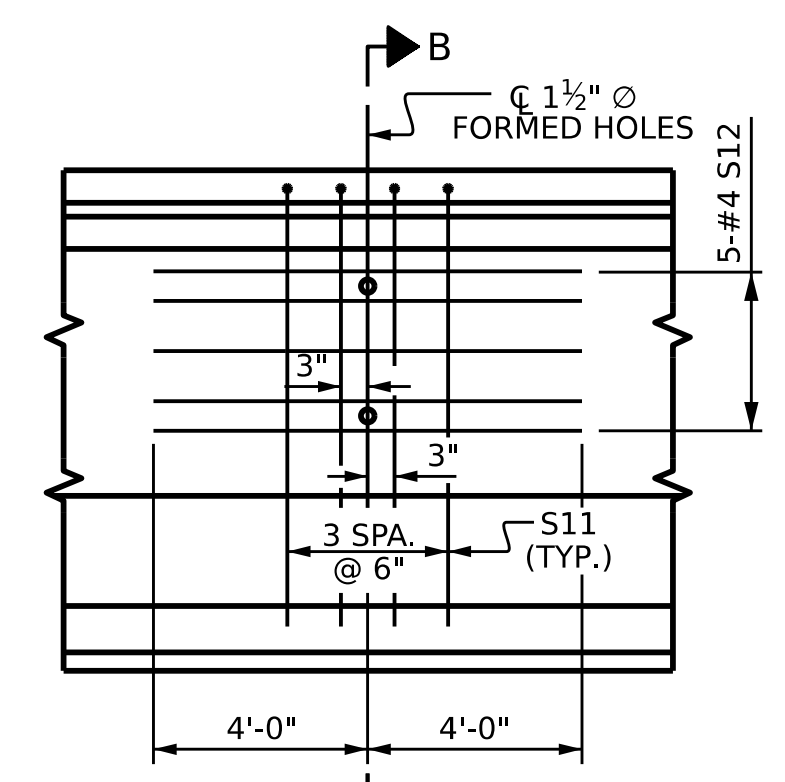


**0.6" Ø LOW RELAXATION STRAND LAYOUT**

**DEBONDING LEGEND**

- FULLY BONDED STRANDS
- ◻ STRANDS DEBONDED FOR 4'-0" FROM END OF GIRDER
- ▲ STRANDS DEBONDED FOR 6'-0" FROM END OF GIRDER
- STRANDS DEBONDED FOR 12'-0" FROM END OF GIRDER
- ◇ STRANDS DEBONDED FOR 24'-0" FROM END OF GIRDER

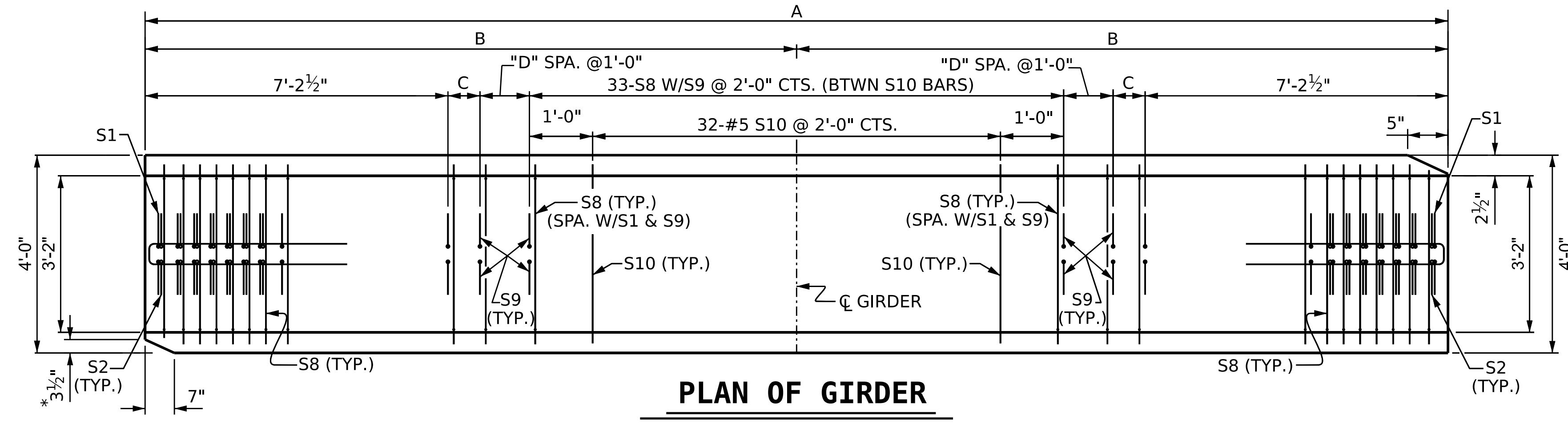
NOTE:  
CUT S8 BARS TO PROVIDE ADEQUATE CLEAR COVER



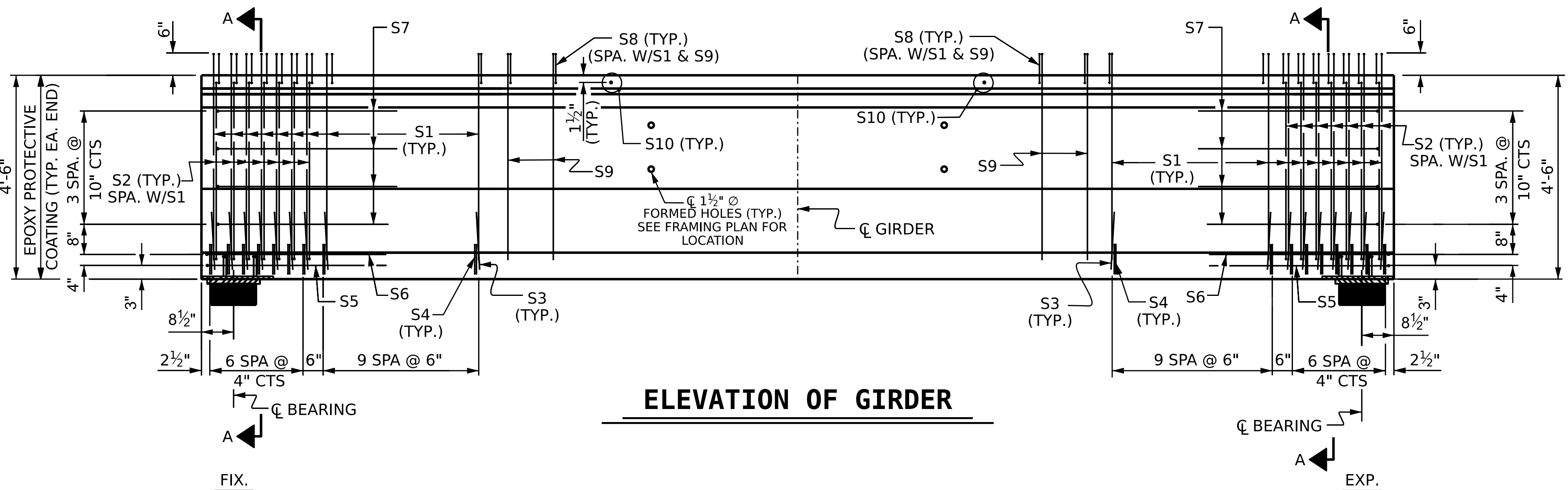
**PARTIAL ELEVATION**

SHOWING INTERMEDIATE STEEL DIAPHRAGM REINFORCING STEEL FOR GIRDER Nos. A6 & A7

\* FOR EB1 END, PROVIDE CLIP FOR GIRDER 6 ONLY



**PLAN OF GIRDER**

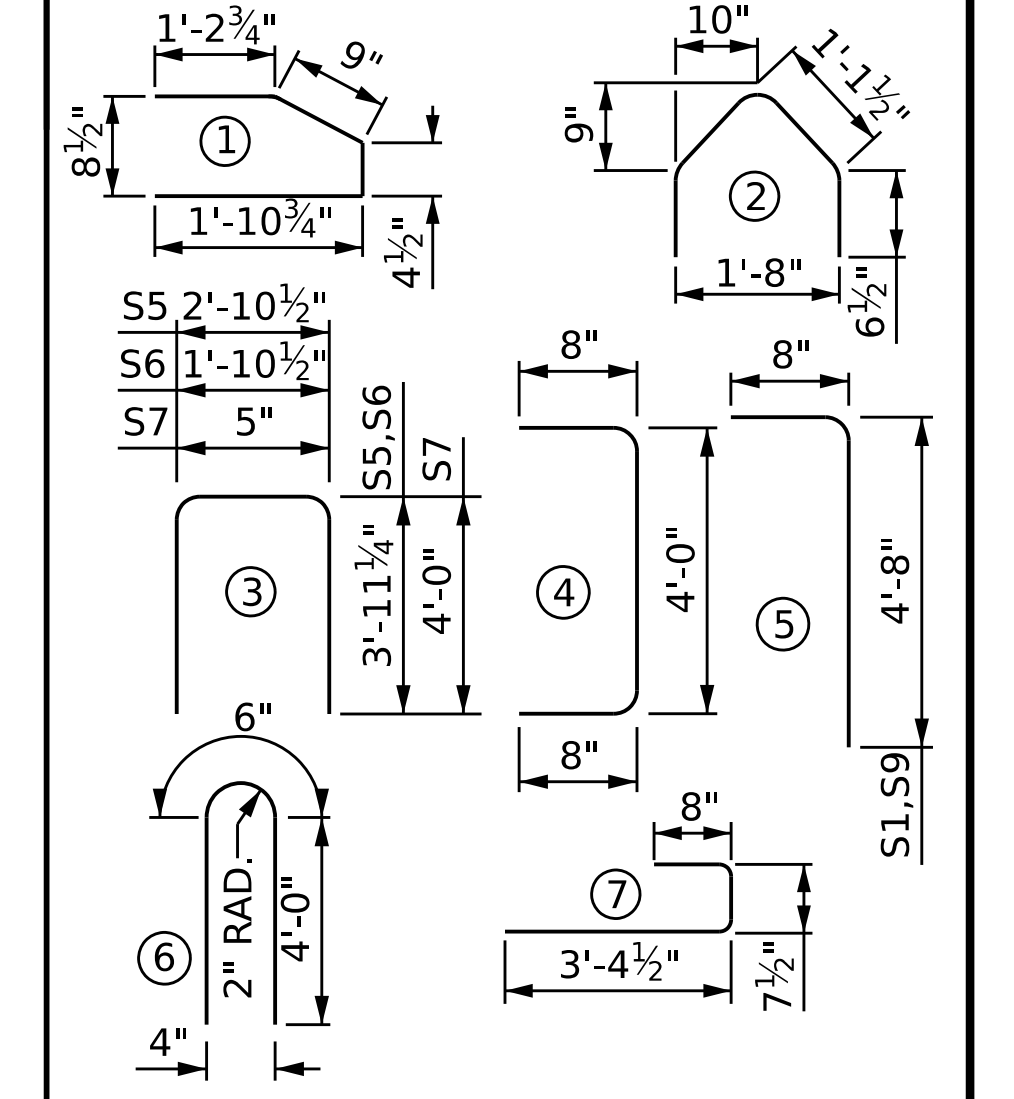


**ELEVATION OF GIRDER**

0.6" Ø L. R. GRADE 270 STRANDS		
AREA (SQUARE INCHES)	ULTIMATE STRENGTH (LBS. PER STRAND)	APPLIED PRESTRESS (LBS. PER STRAND)
0.217	58,600	43,950

REINFORCING STEEL FOR ONE GDR						
BAR NUMBER	SIZE	TYPE	LENGTH	WEIGHT		
S1	68	#5	5	5'-4"	378	
S2	28	#5	4	5'-4"	156	
S3	34	#3	2	3'-4"	43	
S4	68	#3	1	4'-3"	109	
S5	2	#5	3	10'-9"	23	
S6	2	#5	3	9'-9"	21	
S7	8	#4	3	8'-5"	45	
GIRDER 6	S8	226	#5	7	4'-8"	1101
GIRDER 7	S8	230	#5	7	4'-8"	1120
GIRDER 6	S9	158	#5	5	5'-4"	879
GIRDER 7	S9	162	#5	5	5'-4"	902
	S10	32	#5	STR	3'-8"	123
GIRDER 6	S11	16	#5	6	8'-6"	142
GIRDER 7	S11	8	#5	6	8'-6"	71
GIRDER 6	S12	20	#4	STR	8'-0"	107
GIRDER 7	S12	10	#4	STR	8'-0"	54

**BAR TYPES**



ALL BAR DIMENSIONS ARE OUT-TO-OUT

QUANTITIES FOR ONE GIRDER		
REINFORCING STEEL	8500 PSI CONCRETE	0.6" Ø L.R. STRANDS
LB.	C.Y.	No.
GIRDER 7	3045	30.8
GIRDER 6	3127	30.1

GIRDERS REQUIRED		
NUMBER	LENGTH	TOTAL LENGTH
2	SEE TABLE	253'-11"

PROJECT NO. **B-3186 / B-5898**  
**HAYWOOD** COUNTY  
 STATION: **32+21.34 -L LT-**

SHEET 3 OF 4

STATE OF NORTH CAROLINA  
 DEPARTMENT OF TRANSPORTATION  
 RALEIGH  
 54" FLORIDA I BEAM (FIB)  
**PRESTRESSED CONCRETE GIRDER**  
 GIRDER A6 AND A7

REVISIONS						SHEET NO.
NO.	BY:	DATE:	NO.	BY:	DATE:	S1-18
1			3			TOTAL SHEETS
2			4			43

	A	B	C	D
GIRDER 6	125'-6 3/4"	62'-9 3/8"	0'-6 7/8"	23
GIRDER 7	128'-4 1/4"	64'-2 1/8"	0'-11 1/2"	24

DOCUMENT NOT CONSIDERED FINAL UNLESS ALL SIGNATURES COMPLETED

DRAWN BY : S.NATARAJAN	DATE : 02/2023
CHECKED BY : J.C.MORRISON	DATE : 02/2023
DESIGN ENGINEER OF RECORD : G.R. COLS	DATE : 02/2023