

DEBONDING LEGEND

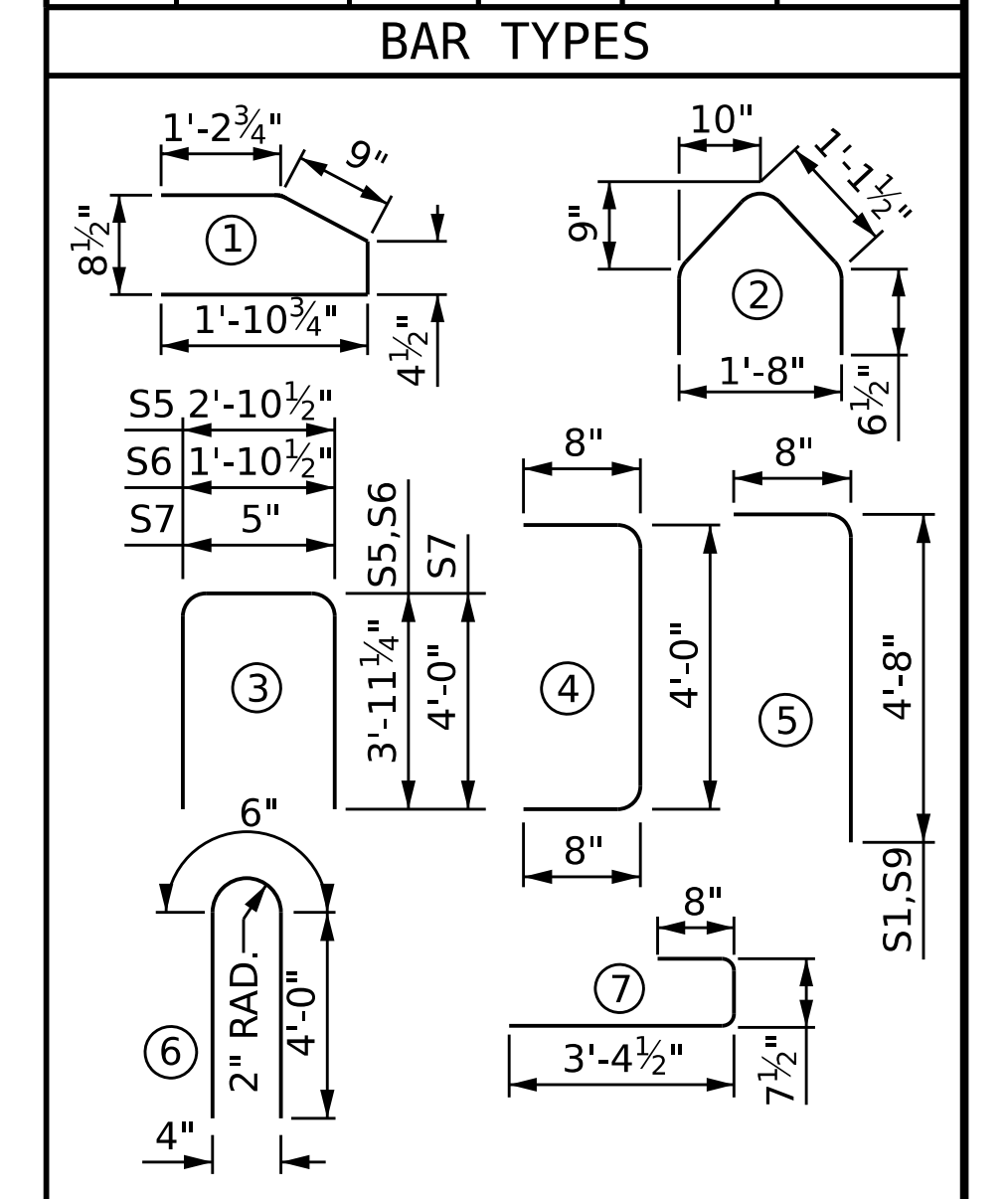
- FULLY BONDED STRANDS
- STRANDS DEBONDED FOR 4'-0" FROM END OF GIRDER
- STRANDS DEBONDED FOR 8'-0" FROM END OF GIRDER

NOTE:
CUT S8 BARS TO PROVIDE ADEQUATE CLEAR COVER

	A	B	C	D
GIRDER 1	114'-7 ¹ / ₄ "	57'-3 ³ / ₈ "	1'-1 ¹ / ₈ "	17
GIRDER 2	116'-2 ⁵ / ₈ "	58'-1 ⁵ / ₁₆ "	0'-10 ¹³ / ₁₆ "	18
GIRDER 3	118'-4 ¹ / ₂ "	59'-2 ¹ / ₄ "	0'-11 ³ / ₄ "	19

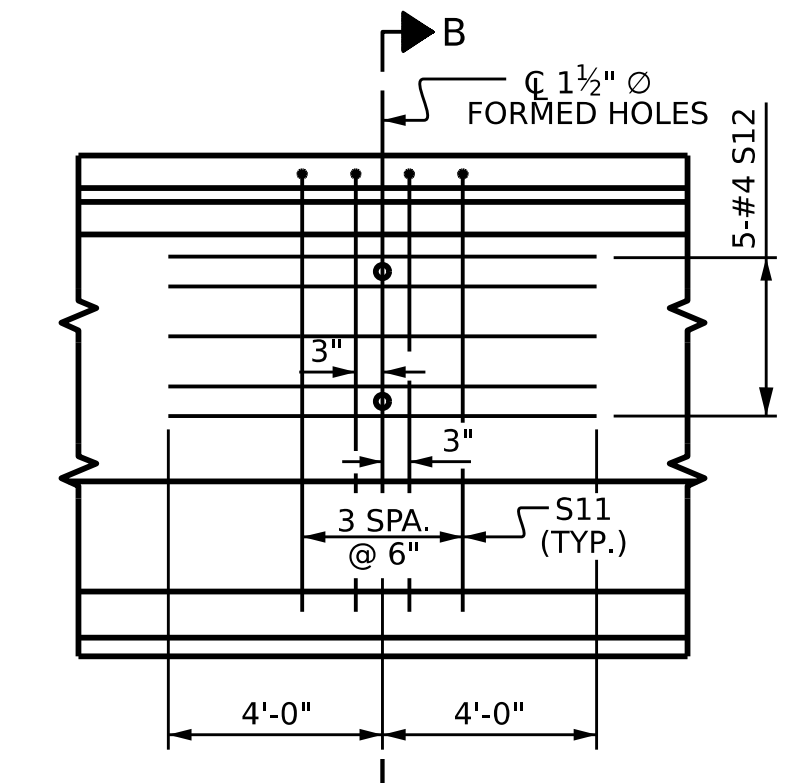
0.6" Ø L. R. GRADE 270 STRANDS		
AREA (SQUARE INCHES)	ULTIMATE STRENGTH (LBS. PER STRAND)	APPLIED PRESTRESS (LBS. PER STRAND)
0.217	58,600	43,950

REINFORCING STEEL FOR ONE GDR						
BAR	NUMBER	SIZE	TYPE	LENGTH	WEIGHT	
S1	68	#5	5	5'-4"	378	
S2	28	#5	4	5'-4"	156	
S3	34	#3	2	3'-4"	43	
S4	68	#3	1	4'-3"	109	
S5	2	#5	3	10'-9"	23	
S6	2	#5	3	9'-9"	21	
S7	8	#4	3	8'-5"	45	
S8	202	#5	7	4'-8"	983	
GIRDER 1	S8	206	#5	7	4'-8"	1003
GIRDER 2	S8	210	#5	7	4'-8"	1022
GIRDER 1	S9	134	#5	5	5'-4"	745
GIRDER 2	S9	138	#5	5	5'-4"	768
GIRDER 3	S9	142	#5	5	5'-4"	790
S10	32	#5	STR	3'-8"	123	
S11	8	#5	6	8'-6"	71	
S12	10	#4	STR	8'-0"	54	

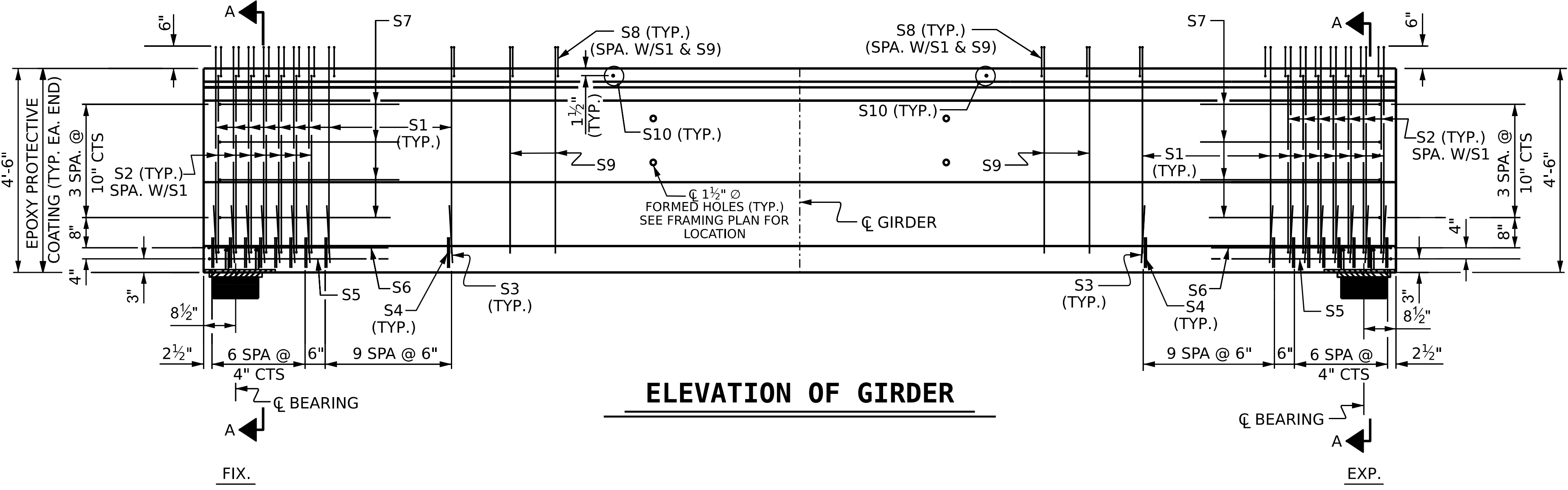
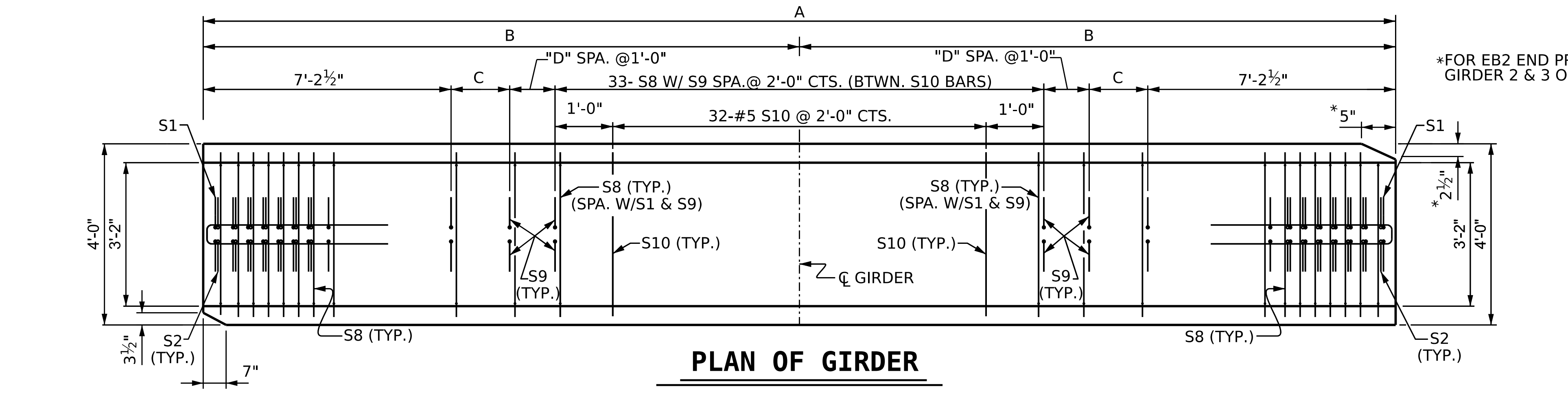


QUANTITIES FOR ONE GIRDER			
REINFORCING STEEL	8500 PSI CONCRETE	0.6" Ø L.R. STRANDS	
LB.	C.Y.	No.	
GIRDER 3	2835	28.4	46
GIRDER 2	2794	27.9	46
GIRDER 1	2751	27.5	46

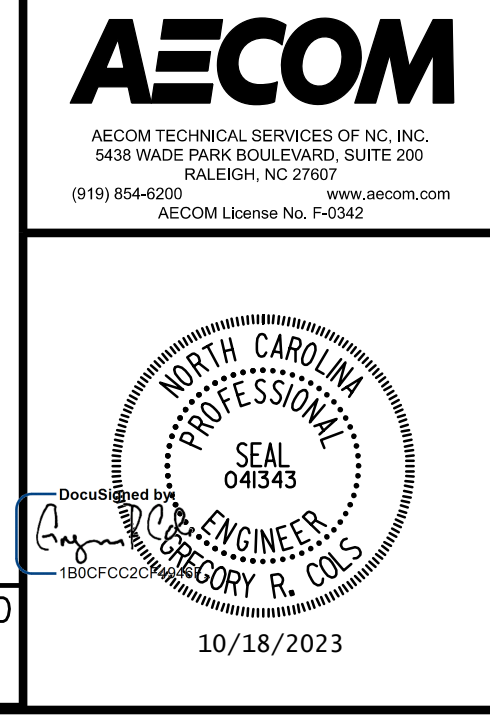
GIRDERS REQUIRED		
NUMBER	LENGTH	TOTAL LENGTH
3	SEE TABLE	349'-2 ³ / ₈ "



PARTIAL ELEVATION
SHOWING INTERMEDIATE STEEL DIAPHRAGM REINFORCING STEEL FOR GIRDER Nos. A1, A2 & A3



PROJECT NO. **B-3186 / B-5898**
HAYWOOD COUNTY
STATION: **32+21.34 -L LT-**
SHEET 1 OF 4



STATE OF NORTH CAROLINA DEPARTMENT OF TRANSPORTATION RALEIGH					
54" FLORIDA I BEAM (FIB)					
PRESTRESSED CONCRETE GIRDER					
GIRDER A1, A2 AND A3					
REVISIONS					SHEET NO.
NO.	BY:	DATE:	NO.	BY:	DATE:
1			3		
2			4		
					S1-16
					TOTAL SHEETS 43

DRAWN BY : S.NATARAJAN DATE : 02/2023
CHECKED BY : J.C.MORRISON DATE : 02/2023
DESIGN ENGINEER OF RECORD : G.R. COLS DATE : 02/2023

DOCUMENT NOT CONSIDERED FINAL UNLESS ALL SIGNATURES COMPLETED