
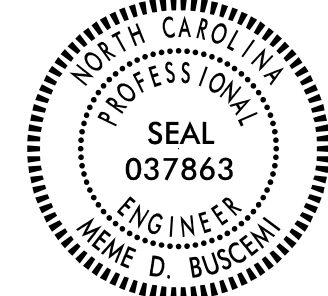
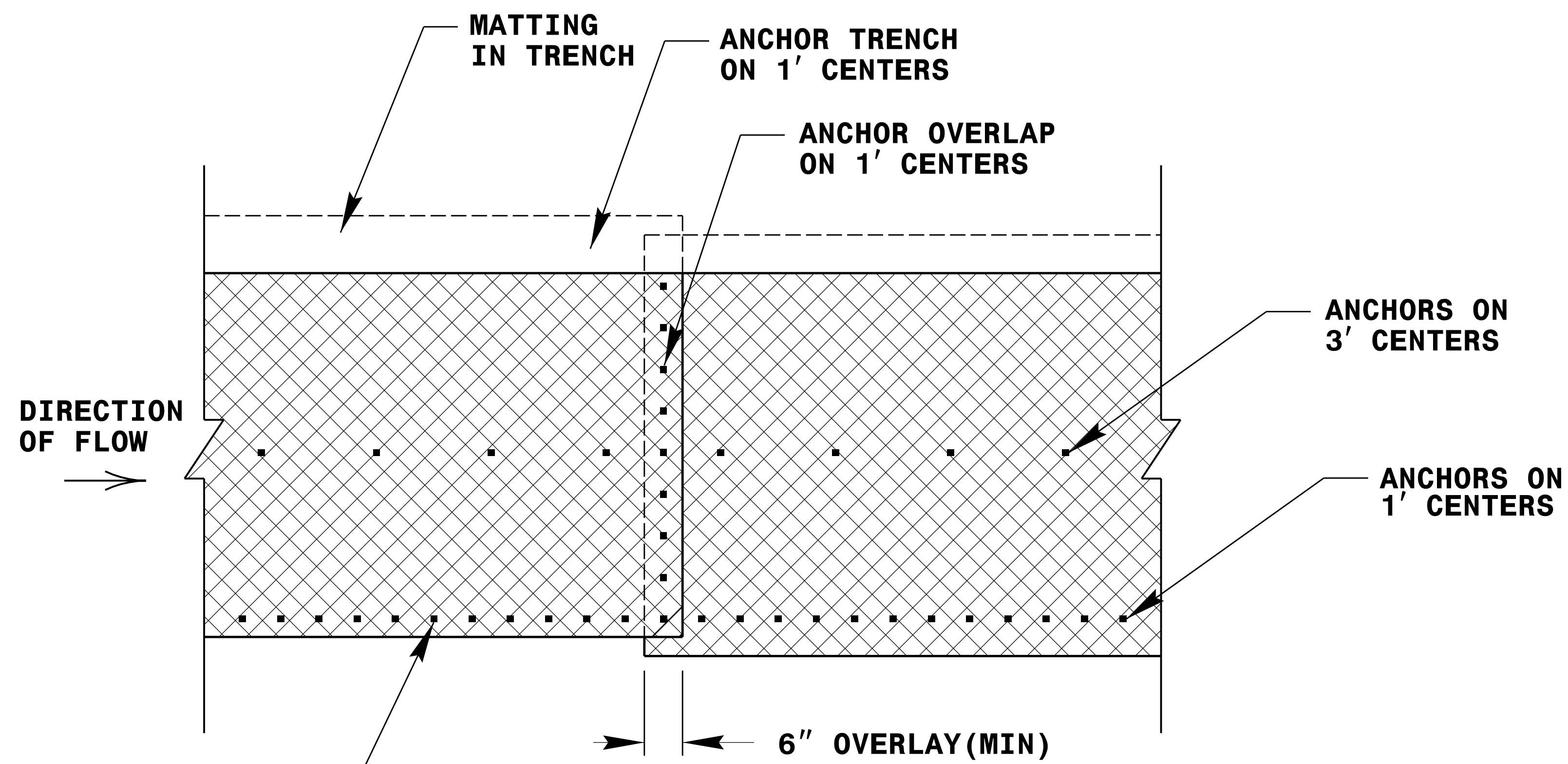
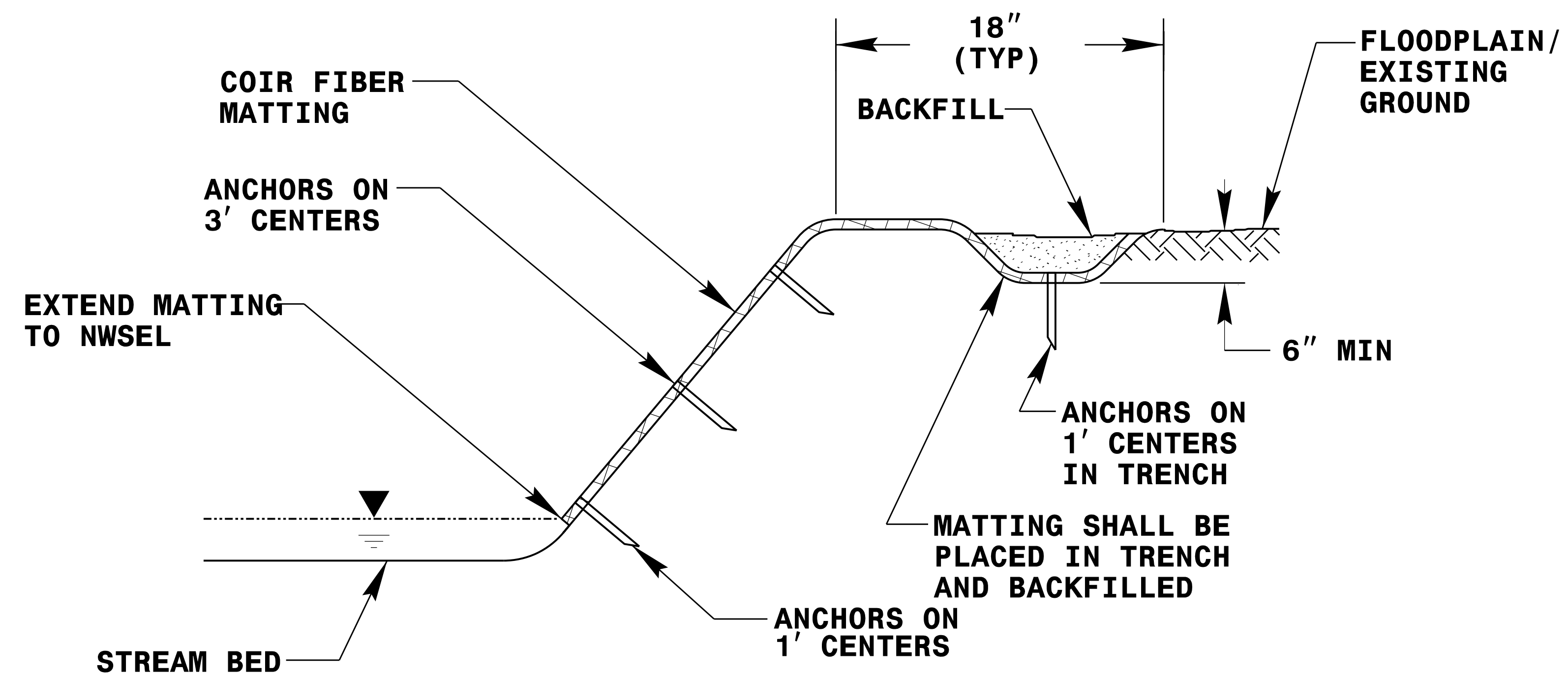


PROJECT REFERENCE NO. <b>B-3186/B-5898</b>	SHEET NO. <b>RF-2</b>
RW SHEET NO.	
ROADWAY DESIGN ENGINEER	HYDRAULICS ENGINEER
	



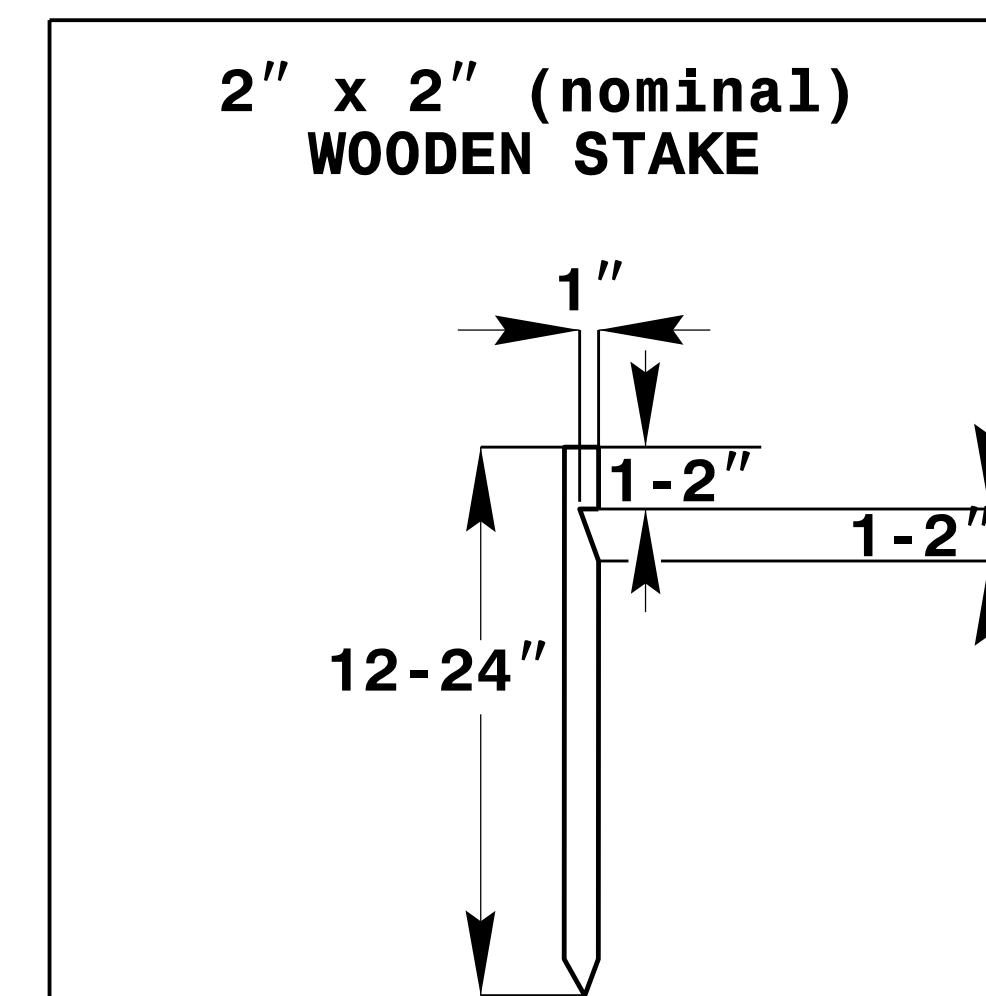
**PLAN VIEW**



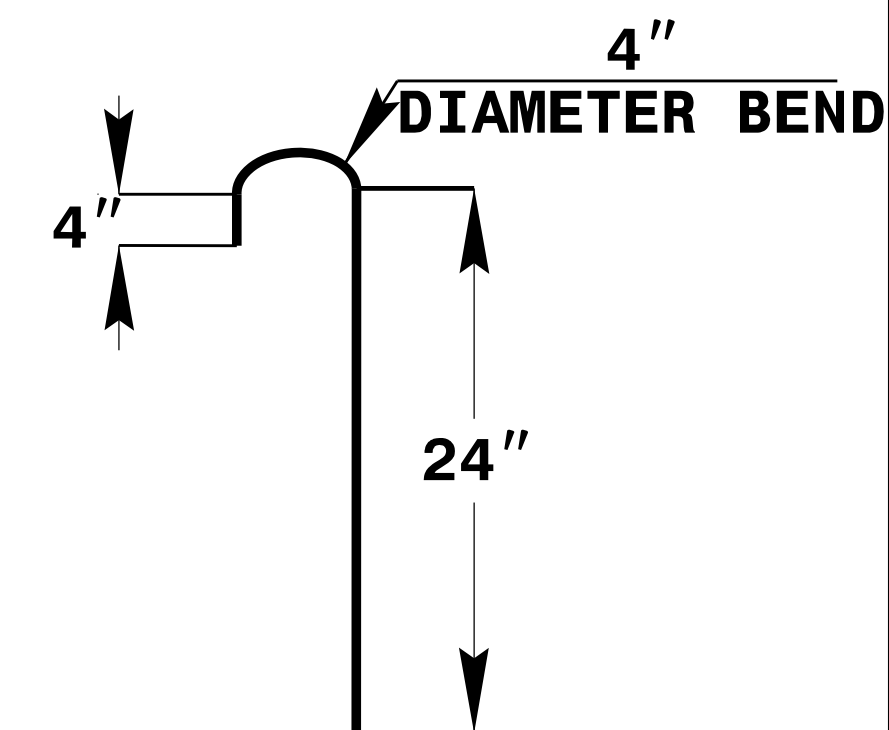
**TYPICAL CROSS SECTION**

**COIR FIBER MATTING DETAIL**

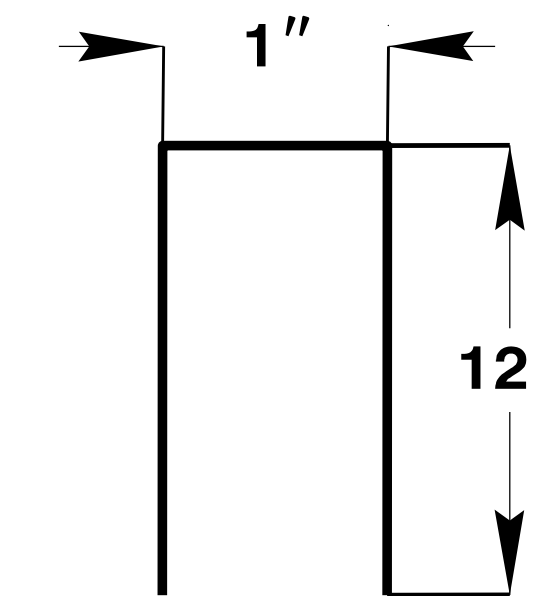
NOT TO SCALE



**2" x 2" (nominal) WOODEN STAKE**



**#10 STEEL REINFORCEMENT BAR**



**ANCHOR OPTIONS**

STREAMBANK REFORESTATION  
 DETAIL SHEET 2 OF 2  
 N.C.D.O.T.- ROADSIDE ENVIRONMENTAL UNIT