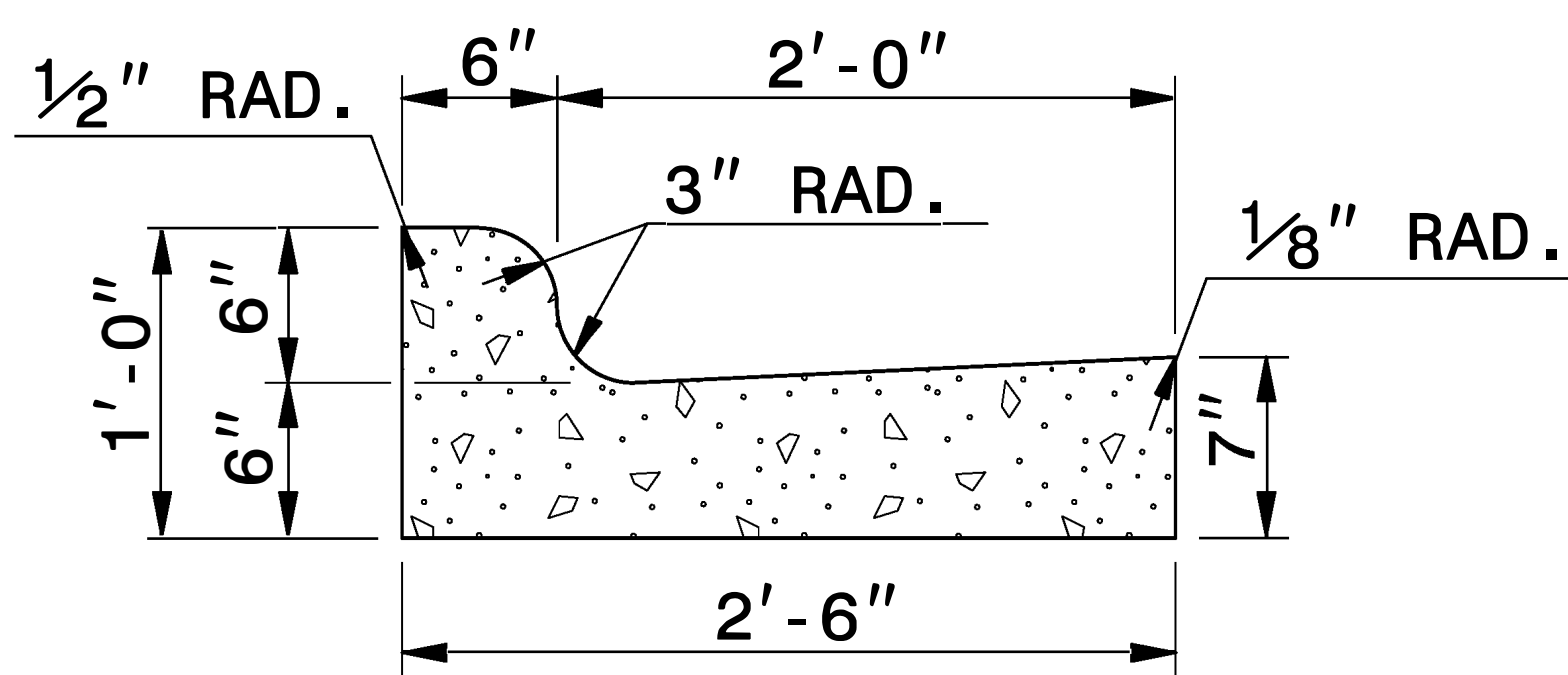
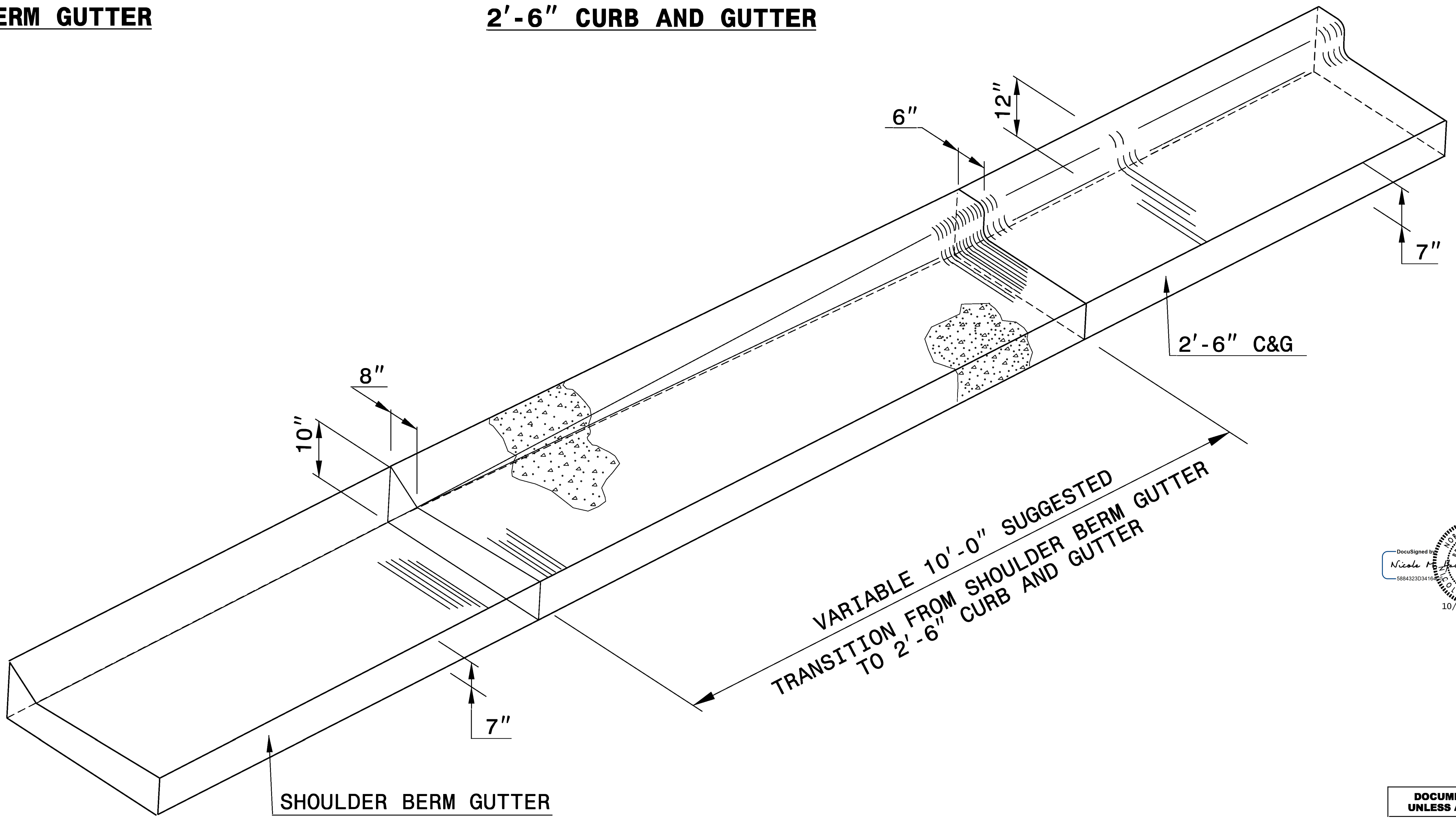


SHOULDER BERM GUTTER



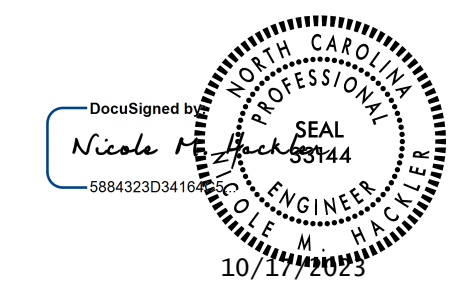
2'-6" CURB AND GUTTER

*NOTE: SEE STD. DWG. 846.01 FOR GENERAL NOTES



ISOMETRIC VIEW OF TRANSITION

VARIABLE 10'-0" SUGGESTED
TRANSITION FROM SHOULDER BERM GUTTER
TO 2'-6" CURB AND GUTTER



DOCUMENT NOT CONSIDERED FINAL
UNLESS ALL SIGNATURES COMPLETED

CONTRACT STANDARDS AND DEVELOPMENT UNIT	
Office 919-707-6950	FAX 919-250-4119
DETAIL OF SHOULDER BERM GUTTER TO 2'-6" CURB & GUTTER TRANSITION SECTION	
ORIGINAL BY: E.E. WARD	DATE: 5-29-02
MODIFIED BY:	DATE:
CHECKED BY:	DATE:
FILE SPEC.: /usr/details/stand/cgtransit.dgn	

20-OCT-2017 09:40
S:\Contracts\Special Details\Vericard\usr\details\stand\c&g transition sections.dgn
JHoverton AT USD-292595

5/14/99