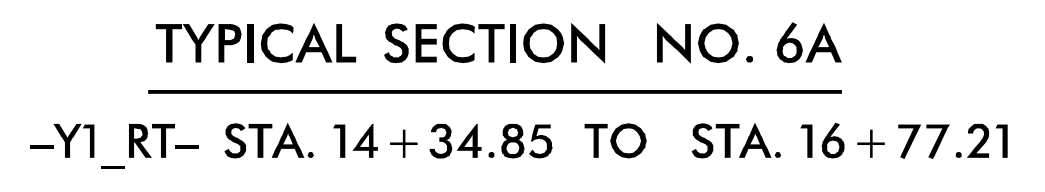
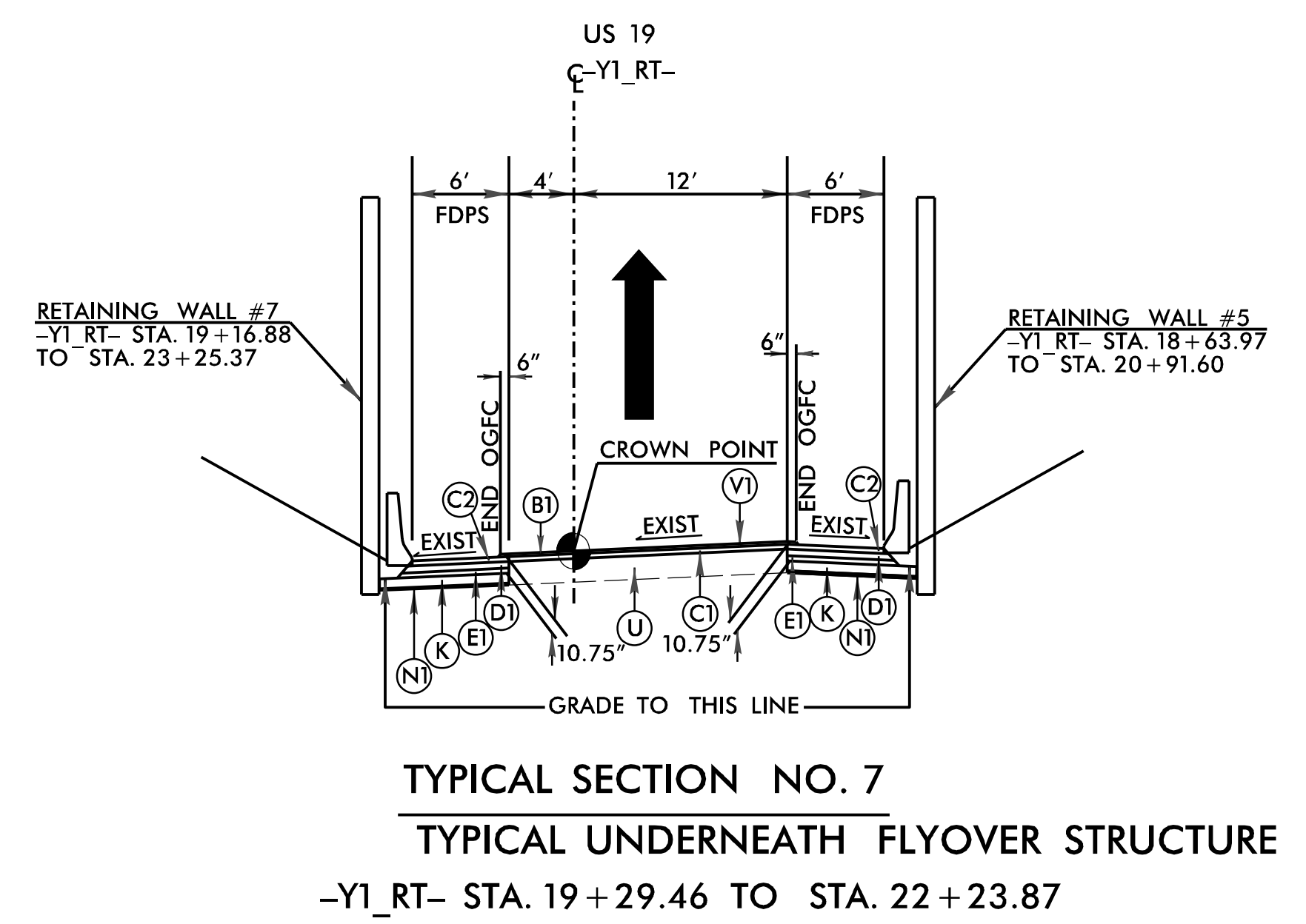
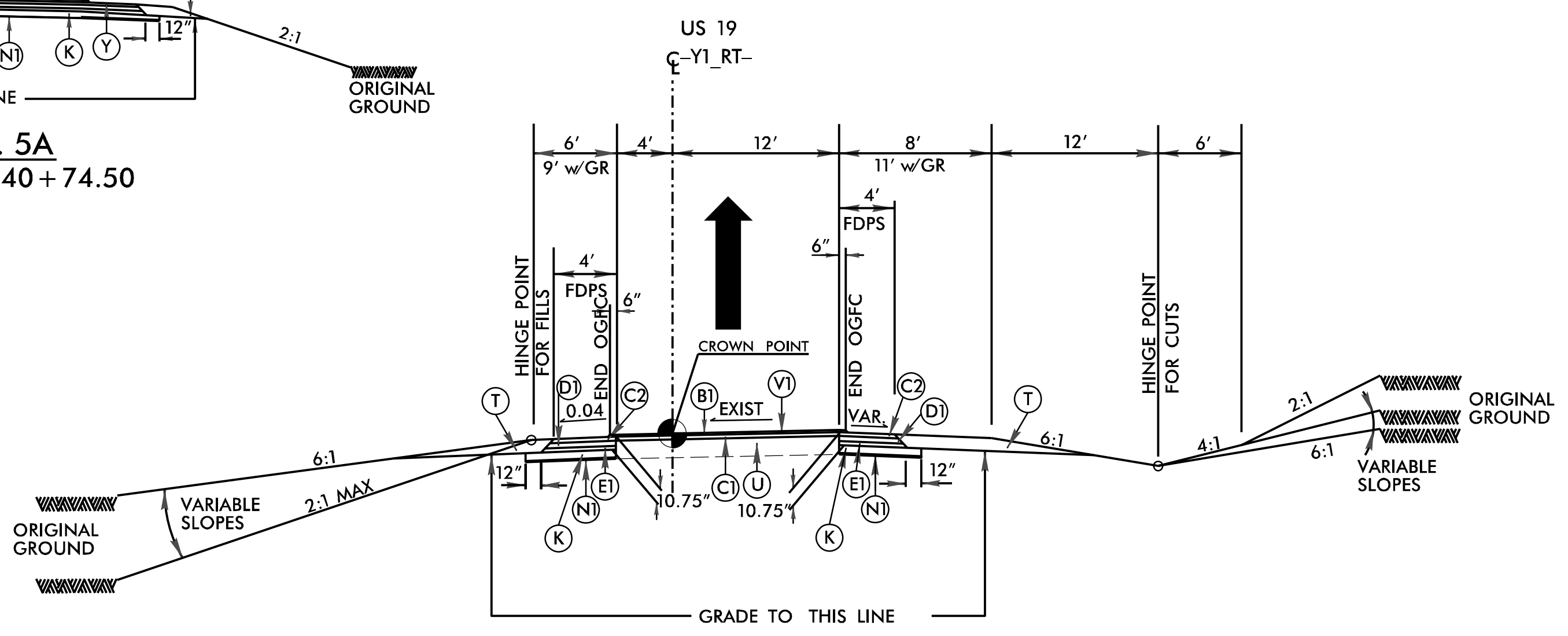
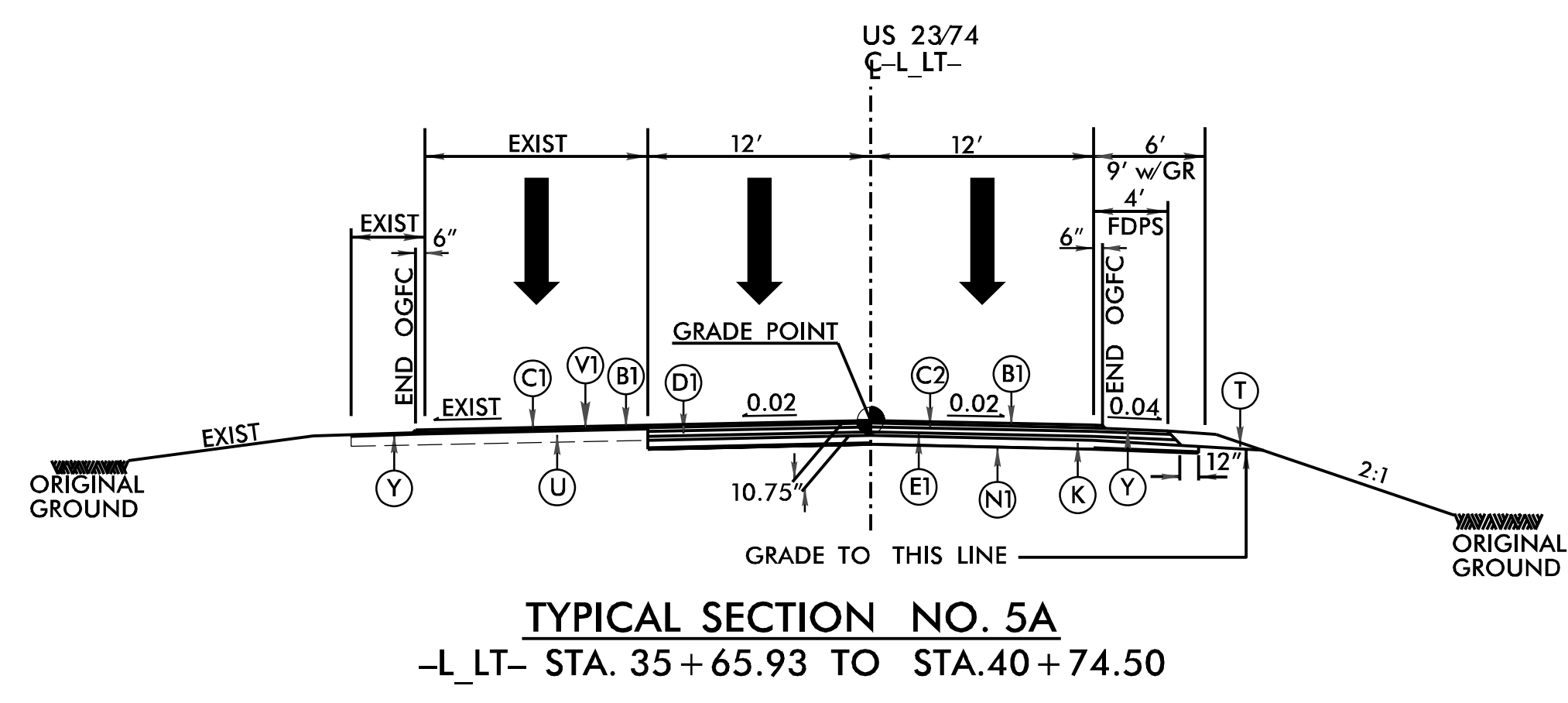
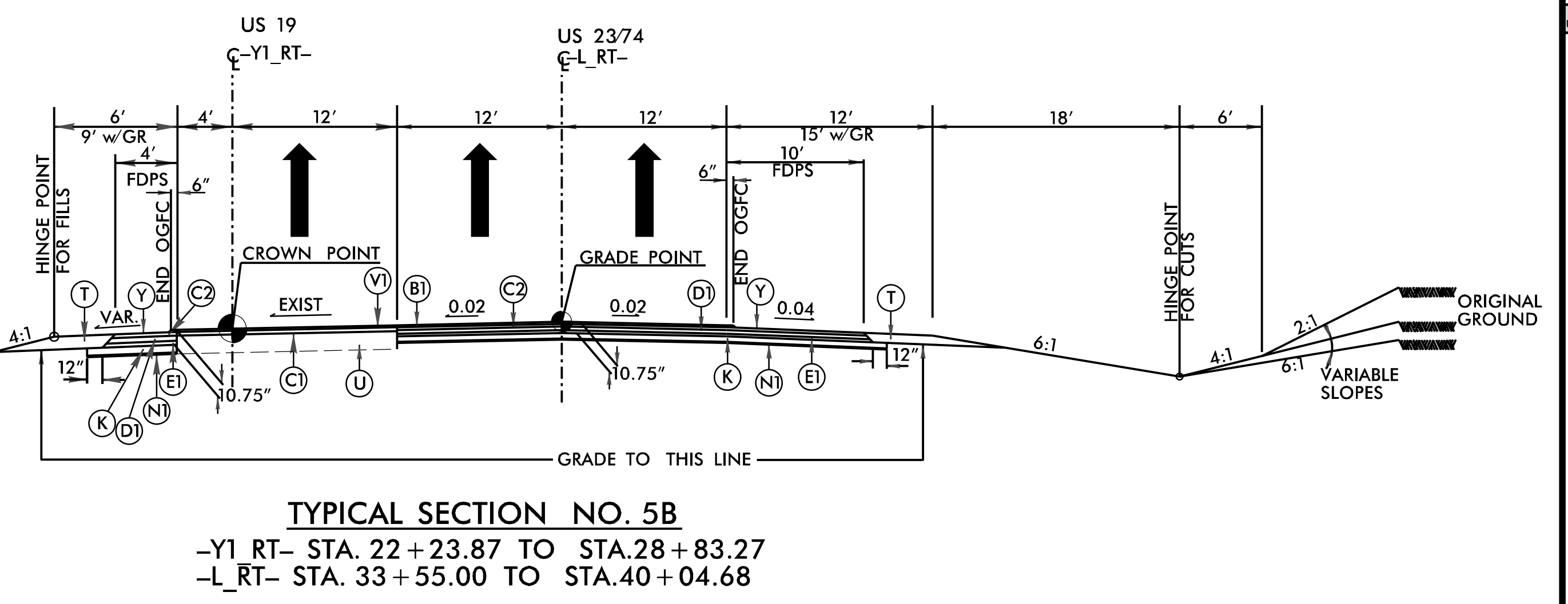
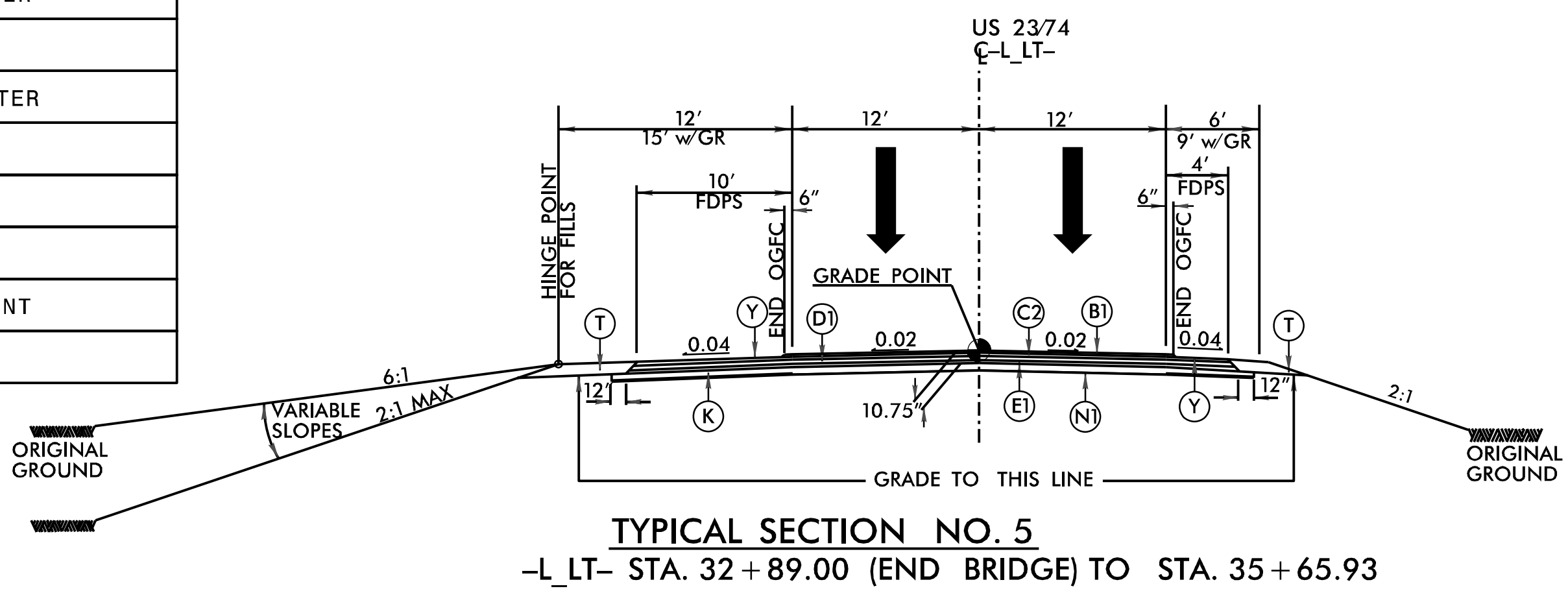
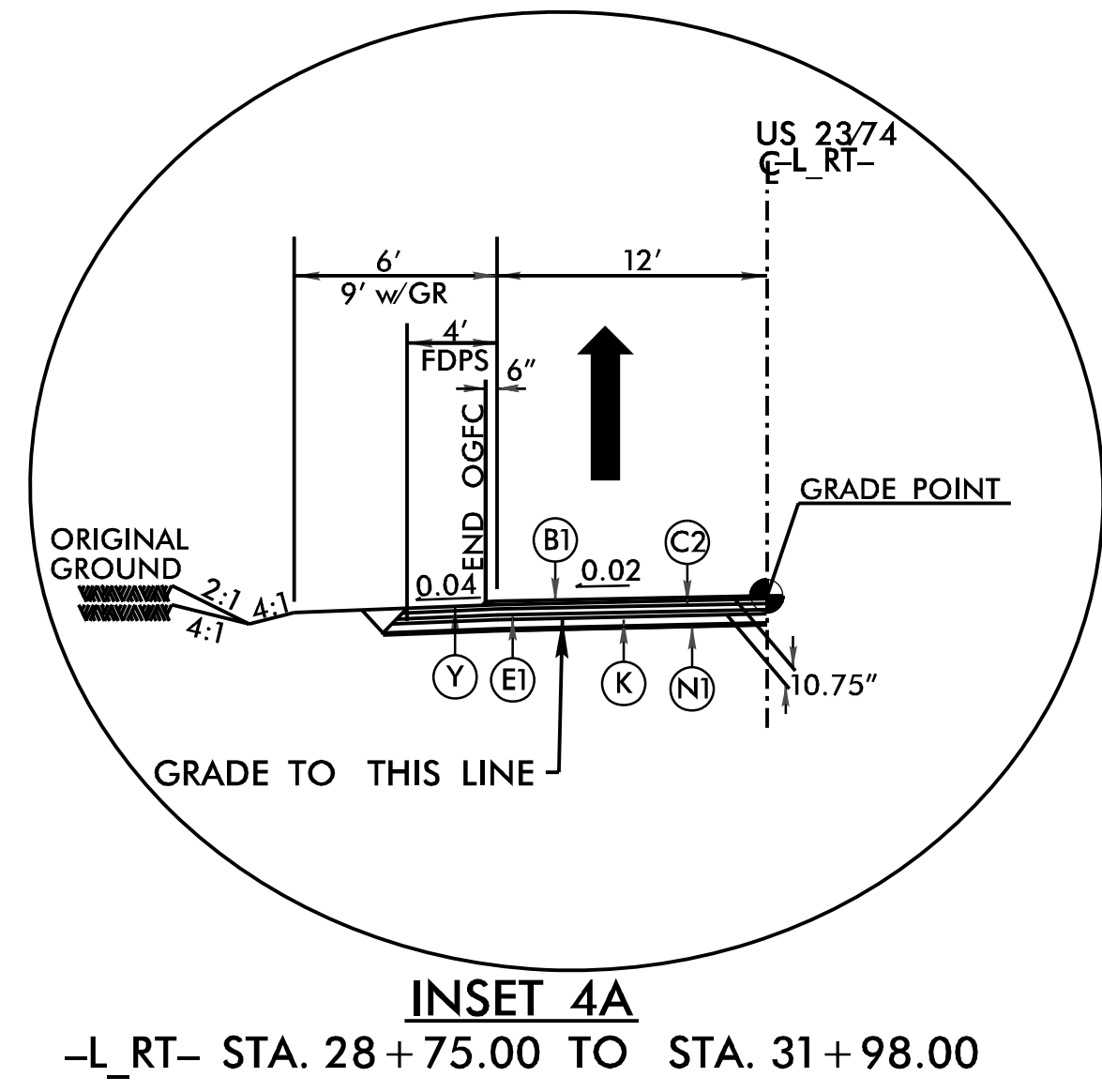
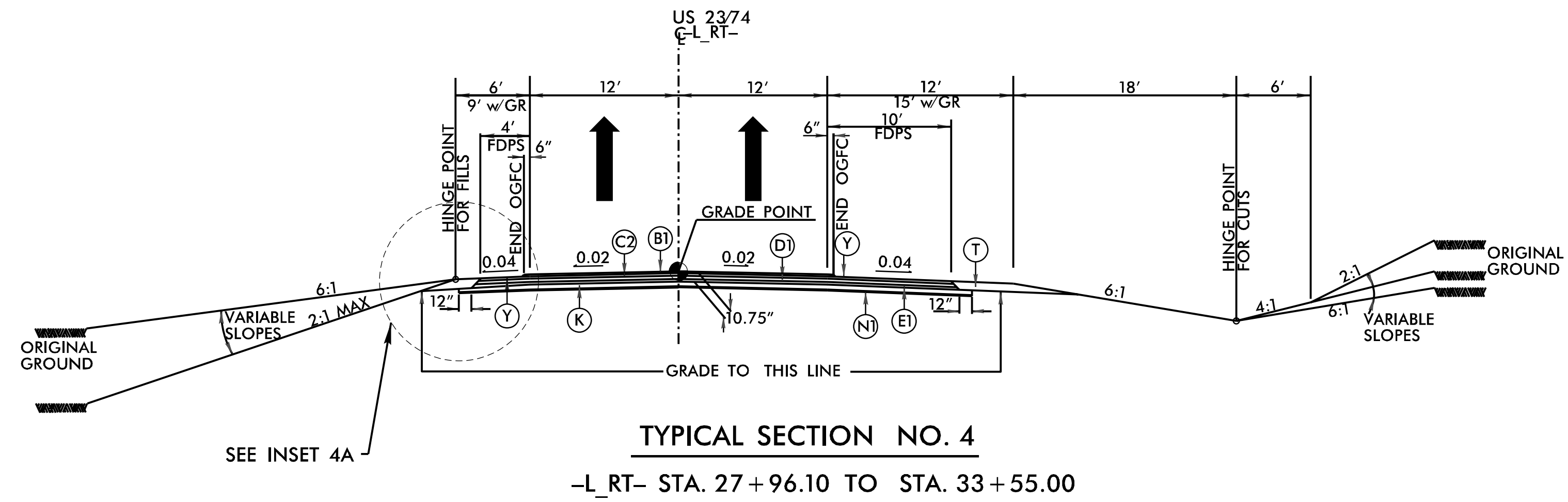


PAVEMENT SCHEDULE	
B1	0.75" OGFC TYPE FC-1 MODIFIED
C1	1.5" S9.5C
C2	3" S9.5C
C3	VAR.S9.5C
D1	4" I19.0C
D2	VAR.I19.0C
E1	3" B25.0C
E2	VAR. B25.0C
J1	6" ABC
K	12" CL IV SUB. STAB.
N1	GEOTEXTILE FOR SUB. STAB.
R1	SHOULDER BERM GUTTER
R2	EXPRESSWAY GUTTER
R3	2'-6" CURB AND GUTTER
T	EARTH MATERIAL
U	EXISTING PAVEMENT
V1	1.5" MILLING
W	VAR.ASPHALT PAVEMENT
Y	RUMBLE STRIPS



B-3186 / B-5898  
 2A-3

NORTH CAROLINA  
 DEPARTMENT OF TRANSPORTATION  
 HAYWOOD COUNTY

ROADWAY DESIGN UNIT  
 ROADWAY DESIGN  
 ENGINEER

SEAL  
 0249634  
 M. J. HOLLAND  
 11/7/2023

PAVEMENT DESIGN  
 ENGINEER

SEAL  
 0249634  
 M. J. HOLLAND  
 11/7/2023

PREPARED BY  
**AECOM**

NC FIRM LICENSE No: F-0342  
 5438 Wade Park Boulevard, Suite 200  
 Raleigh, NC 27603  
 (919) 884-6200 (ext. 319) 884-6299 (fax)

DOCUMENT NOT CONSIDERED FINAL  
 UNLESS ALL SIGNATURES COMPLETED

REVISIONS