

NOTES

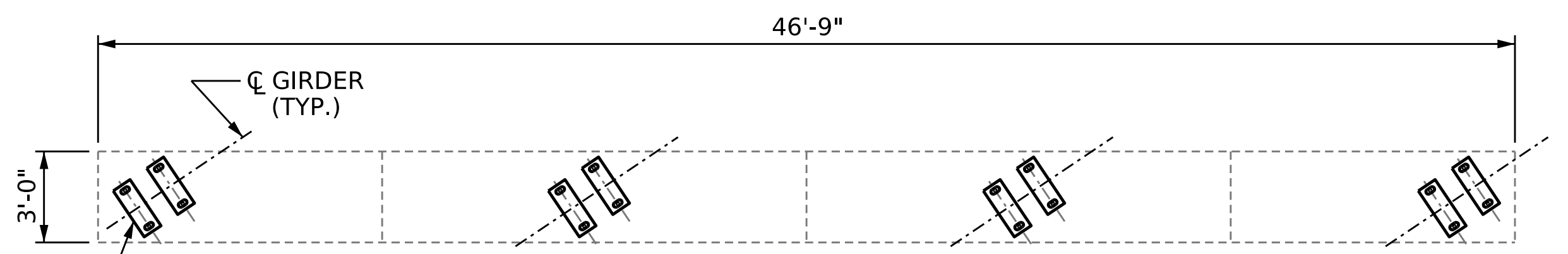
REPAIR LOCATIONS AND ESTIMATE OF QUANTITIES ARE BASED ON THE BEST INFORMATION AVAILABLE. IF ADDITIONAL REPAIRS NOT SHOWN ON THE DRAWINGS ARE DEEMED NECESSARY BY THE ENGINEER, THE ENGINEER SHALL NOTE ON THE DRAWINGS THE APPROXIMATE LOCATIONS AND DESCRIPTION OF THE REPAIRS AND ENTER THE ACTUAL QUANTITIES INTO THE AS-BUILT REPAIR QUANTITY TABLE.

CLEAN AND REMOVE DEBRIS FROM THE TOP OF THE CAP AND APPLY EPOXY PROTECTIVE COATING. EPOXY COATING SHALL BE APPLIED TO THE TOP SURFACE OF THE CAP AFTER ELASTOMERIC BEARINGS AND ANCHOR BOLTS ARE INSTALLED. THE CONTRACTOR SHALL NOT COAT THE AREA OF THE CAP BENEATH THE BEARINGS.

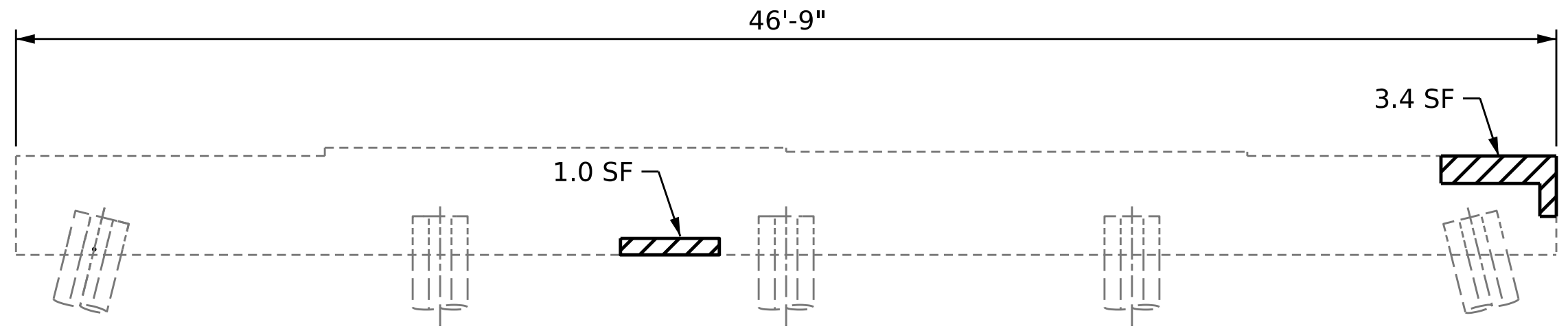
FOR REPAIR DETAILS, SEE "TYPICAL CAP AND COLUMN REPAIR DETAILS" SHEET.

SUBSTRUCTURE REPAIR QUANTITY TABLE				
REPAIRS - BENT 1	QUANTITIES			
	ESTIMATE		ACTUAL	
SHOTCRETE REPAIRS	AREA SF	VOLUME CF	AREA SF	VOLUME CF
CAP	36.8	18.4		
COLUMN	0	0		
CONCRETE REPAIRS	AREA SF	VOLUME CF	AREA SF	VOLUME CF
CAP	0	0		
COLUMN	0	0		
EPOXY RESIN INJECTION		LINEAR FT		LINEAR FT
CAP		0		
COLUMN		0		
EPOXY COATING		AREA SF		AREA SF
CAP		130.5		

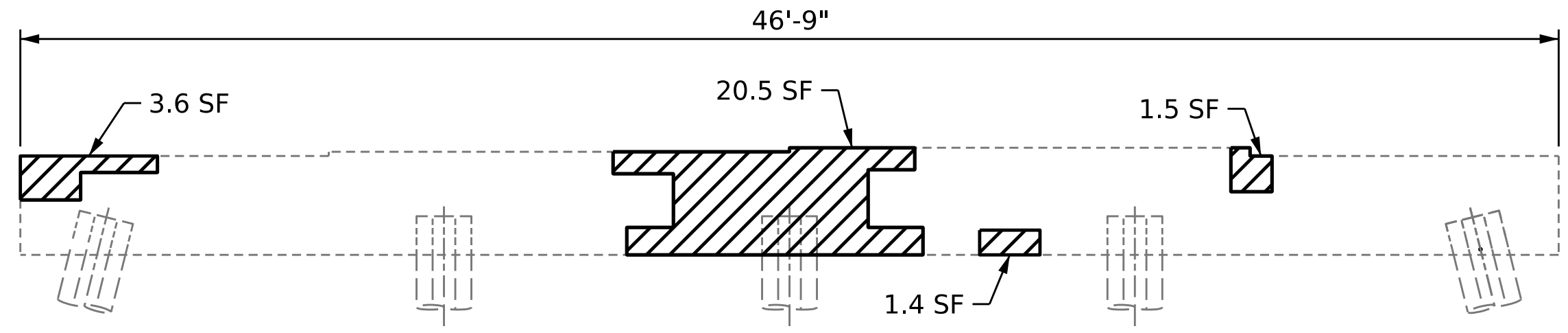
VALUES IN CHART REPRESENT ESTIMATED REPAIR TOTALS AFTER REMOVAL OF UNSOUND CONCRETE, MIN. OF 1" BEHIND REBAR AND MIN. 2" CLEAR TO SAWCUT. SEE REPAIR DETAILS.



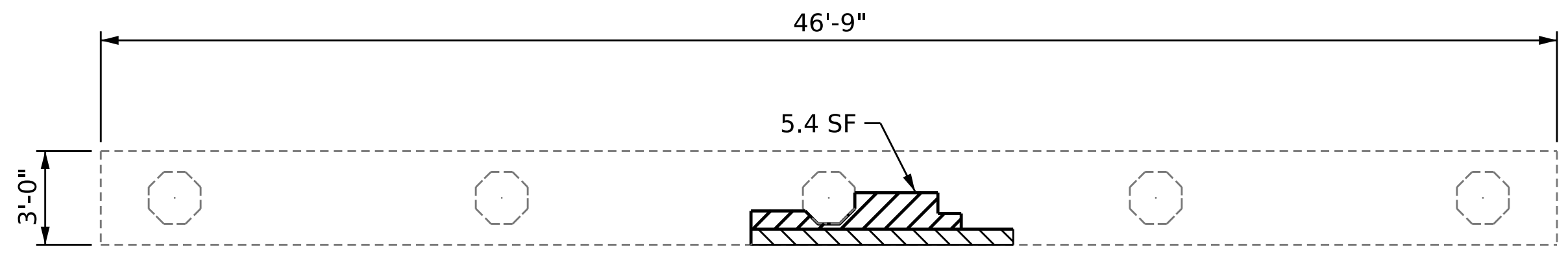
PLAN
(TOP OF CAP)



ELEVATION
SOUTH FACE
(LOOKING NORTH)



ELEVATION
NORTH FACE
(LOOKING SOUTH)



PLAN
(BOTTOM OF CAP)

END VIEW
WEST FACE

END VIEW
EAST FACE

PROJECT NO. **B-5981**
DUPLIN COUNTY
 BRIDGE NO. **300017**

SHEET 2 OF 6



STATE OF NORTH CAROLINA
 DEPARTMENT OF TRANSPORTATION
 RALEIGH

**SUBSTRUCTURE REPAIR
 BENT 1**

DRAWN BY : S. T. SANDOR DATE : 1/25/23
 CHECKED BY : W. C. SMITH DATE : 5/31/23

DOCUMENT NOT CONSIDERED
 FINAL UNLESS ALL
 SIGNATURES COMPLETED

REVISIONS						SHEET NO. S2-17 TOTAL SHEETS 31
NO.	BY:	DATE:	NO.	BY:	DATE:	
1			3			
2			4			