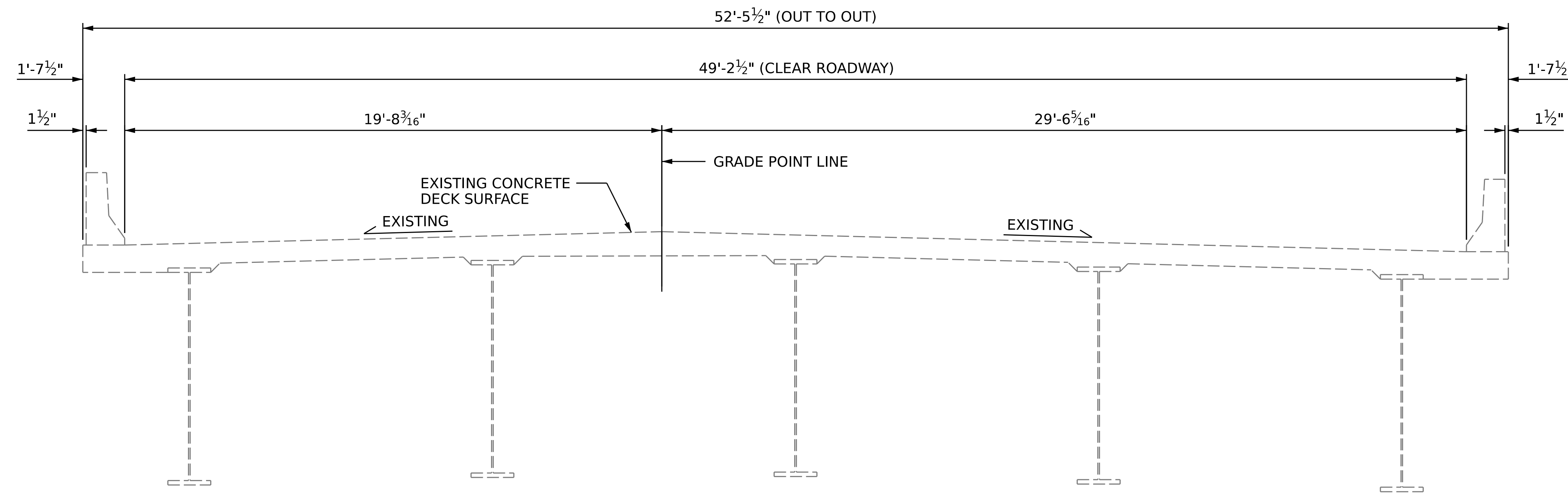


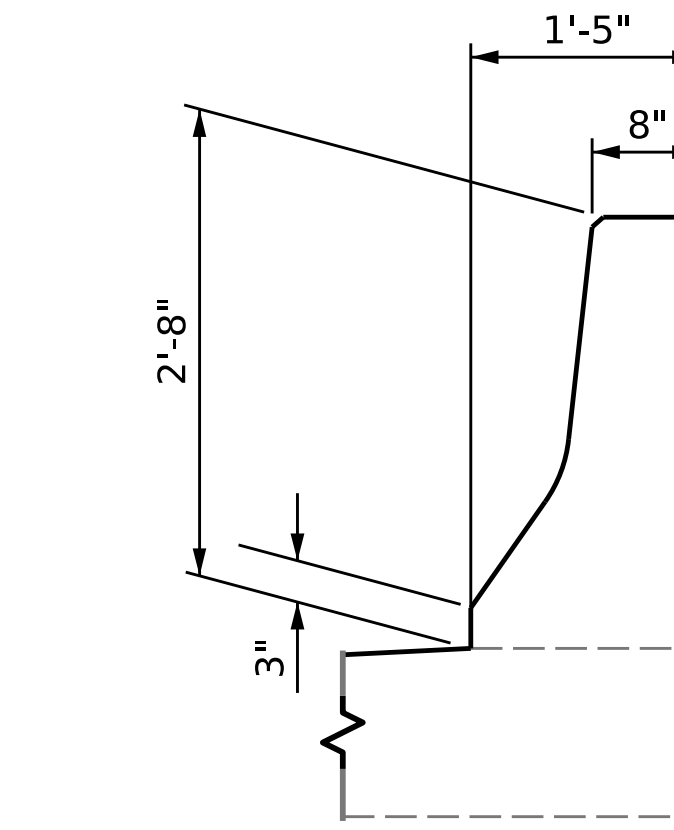
NOTES

SEE TRAFFIC PLANS FOR LANE WIDTH, SEQUENCING, AND OTHER TRAFFIC CONTROL MEASURES FOR STAGING OF SURFACE PREPARATION AND SILANE DECK TREATMENT.

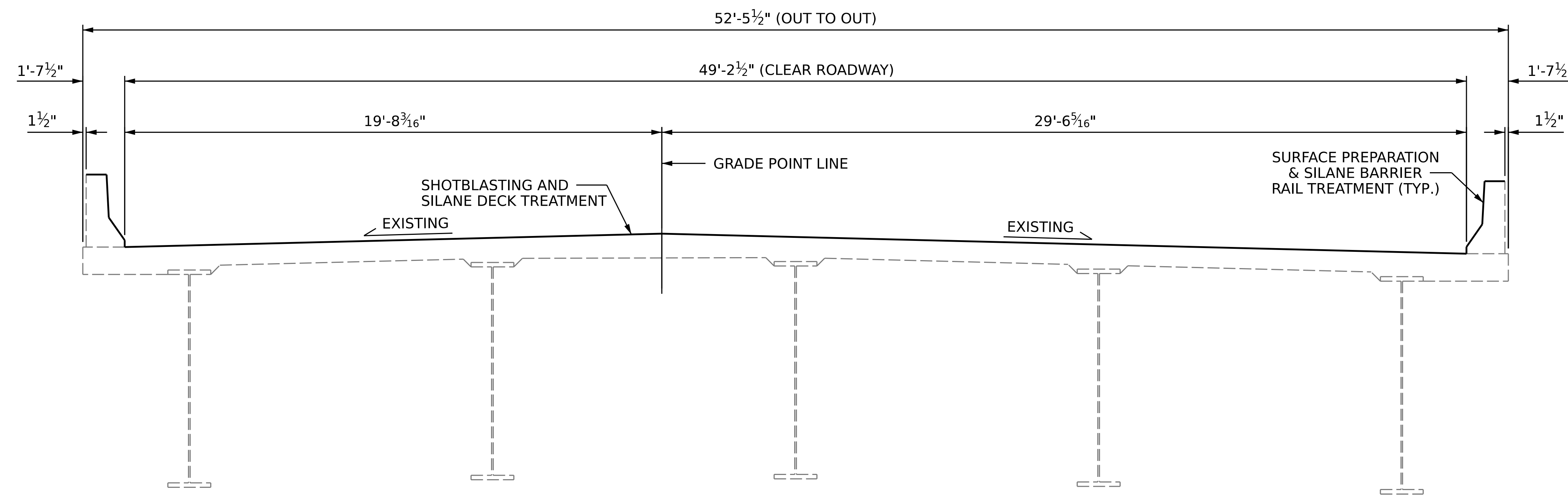
PROTECT TRAFFIC FROM REBOUND, DUST, OVERSPRAY, AND CONSTRUCTION ACTIVITIES. PROVIDE APPROPRIATE SHIELDING, AS REQUIRED AND/OR DIRECTED BY ENGINEER.



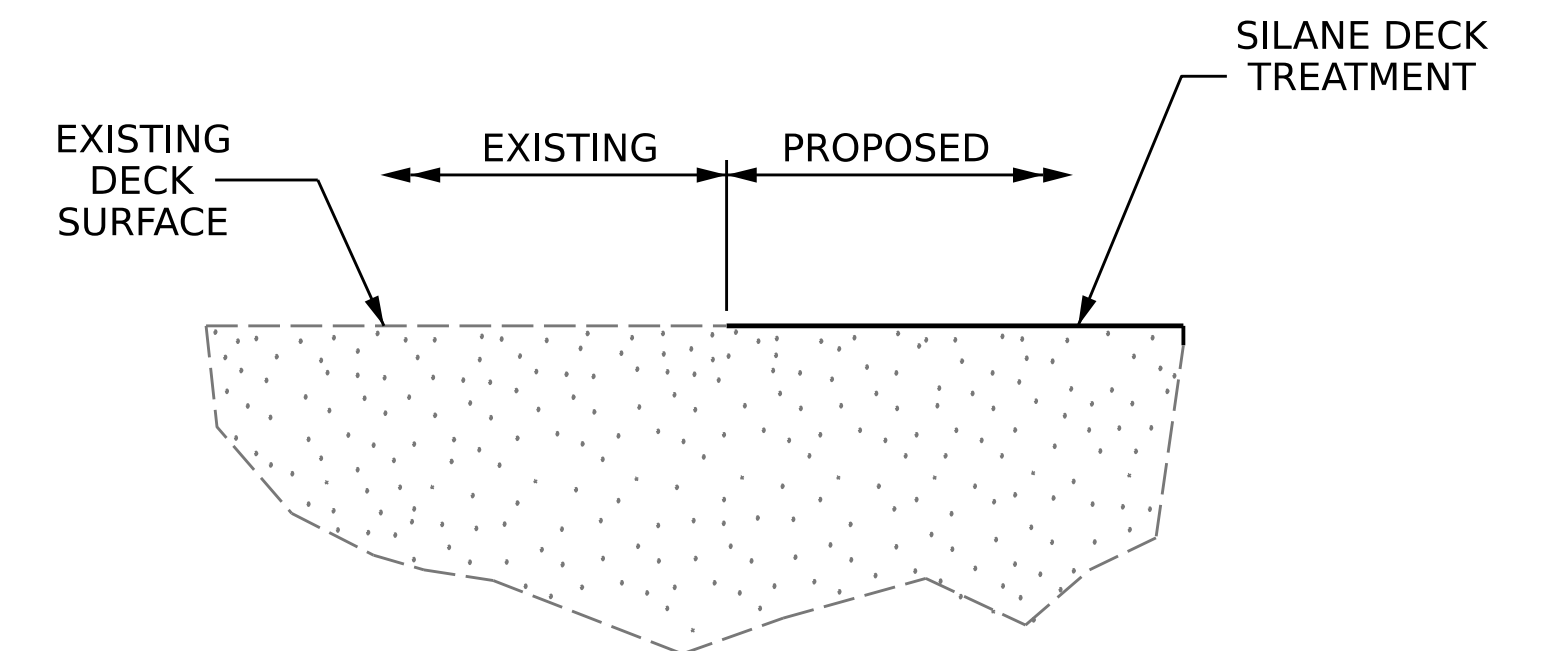
TYPICAL SECTION
(EXISTING)



LIMIT OF BARRIER RAIL SILANE APPLICATION



TYPICAL SECTION
(PROPOSED)



SILANE DECK TREATMENT DETAIL

PROJECT NO. **HI-0017**
ROBESON COUNTY
 BRIDGE NO. **770476**



STATE OF NORTH CAROLINA
 DEPARTMENT OF TRANSPORTATION
 RALEIGH
SUPERSTRUCTURE
 TYPICAL SECTION
 AND SILANE DECK
 TREATMENT DETAILS

REVISIONS						SHEET NO.
NO.	BY:	DATE:	NO.	BY:	DATE:	TOTAL SHEETS
1			3			S8-2
2			4			4

DOCUMENT NOT CONSIDERED FINAL UNLESS ALL SIGNATURES COMPLETED

DRAWN BY : N. VANDERMARK / G. AYES DATE : 11/2022
 CHECKED BY : A. G. ABRAHA DATE : 11/2022
 DESIGN ENGINEER OF RECORD: _____ DATE : _____