
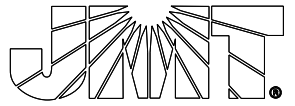


STATE OF NORTH CAROLINA
DEPARTMENT OF TRANSPORTATION

PROJECT REFERENCE NO. HI-0017	SHEET NO. SIGN-1
DocuSigned by: <i>Richard D. Lasher</i> -FA81F1EB929945F... 10/11/2023	
	
	

SIGNING PLAN
ROBESON COUNTY

**LOCATION: US 74 FROM THE SCOTLAND COUNTY LINE
TO I-74 /US 74 BUSINESS**

ROADWAY STANDARD DRAWING

THE FOLLOWING ROADWAY STANDARDS AS APPEAR IN "ROADWAY STANDARD DRAWINGS" - PROJECT SERVICES UNIT - N.C. DEPARTMENT OF TRANSPORTATION - RALEIGH, N.C., DATED JANUARY 2018 ARE APPLICABLE TO THIS PROJECT AND BY REFERENCE HEREBY ARE CONSIDERED A PART OF THESE PLANS:

STD. NO.	TITLE
901.10	TYPE 'A' SIGNS
901.20	TYPE 'B' SIGNS
901.50	ARROWS AND SHIELDS
901.70	SIGN STRINGERS AND SUPPORT SPACING
901.80	SIGN MOUNTING DETAILS - FOR TYPE A AND TYPE B SIGNS
904.10	ORIENTATION OF GROUND MOUNTED SIGNS
904.20	SECONDARY SIGN MOUNTING
904.50	MOUNTING OF TYPE 'D', 'E', AND 'F' SIGNS ON 'U' CHANNEL POSTS

GENERAL NOTES

- SIGNS FURNISHED BY STATE
- CONFIRM IN WRITING AT LEAST 4 MONTHS IN ADVANCE, THE ACTUAL DATE THE DEPARTMENT FURNISHED SIGNS WILL BE REQUIRED.
- ALL TYPE 'D' SIGNS SHALL BE MOUNTED ON TWO U-CHANNEL POSTS UNLESS OTHERWISE INDICATED ON THE PLANS.
- WHEN NOT STATIONED OR DIMENSIONED ON PLANS, ALL 'E' AND 'F' SIGNS SHALL BE FIELD LOCATED BY THE ENGINEER
- WHEN EXISTING SIGNS ARE REMOVED AND INSTALLED ON NEW SUPPORTS, THE RE-ERECTION SHALL IMMEDIATELY FOLLOW THE REMOVAL.
- THE BACKGROUND FOR TYPE E & F SIGNS SHALL BE TYPE C REFLECTIVE SHEETING.
- SIGNING PLANS DO NOT INCLUDE TEMPORARY CONSTRUCTION SIGNING, SEE TRAFFIC CONTROL PLANS, SEE PAVEMENT MARKING PLAN FOR PAVEMENT MARKING DESIGN.
- ALL SIGNS SHOWN ARE EXISTING AND SHALL REMAIN UNLESS OTHERWISE SPECIFIED BY PLAN NOTES.

SUMMARY OF QUANTITIES

ITEM NO.		ITEM DESCRIPTION	QUANTITY	UNIT
DESC. NO.	SECT. NO.			
4048000000	902	REINFORCED CONCRETE SIGN FOUNDATIONS	8.0	CY
4054000000	902	PLAIN CONCRETE SIGN FOUNDATIONS	1.0	CY
4060000000	903	SUPPORTS, BREAKAWAY STEEL BEAM	8440	LBS
4072000000	903	SUPPORTS, 3 LB STEEL U CHANNEL	170	LF
4102000000	904	SIGN ERECTION TYPE E	6	EA
4108000000	904	SIGN ERECTION TYPE F	1	EA
4110000000	904	SIGN ERECTION TYPE A (GROUND MOUNTED)	10	EA
4110000000	904	SIGN ERECTION TYPE B (GROUND MOUNTED)	8	EA
4152000000	907	DISPOSAL OF SIGN SYSTEM, STEEL BEAM	11	EA
4155000000	907	DISPOSAL OF SIGN SYSTEM, U-CHANNEL	1	EA

PAY ITEM NOTES

- 1 DISPOSAL OF SIGN AND SIGN ERECTION, SIGN TYPE D, E, AND F
- 2 SIGN ERECTION, TYPE A, GROUND MOUNT
- 3 SIGN ERECTION, TYPE B, GROUND MOUNT
- 4 SIGN ERECTION, TYPE E
- 5 DISPOSAL OF SIGN A OR B (GROUND MOUNT)

INDEX

SHEET NO.	DESCRIPTION
SIGN-1	TITLE SHEET
SIGN-2	TYPE E AND F SIGNS
SIGN-3	SIGN SUPPORT SHEET
SIGN-3A-3E	TYPE A AND B SIGNS
SIGN-4-8	SIGNING PLAN SHEET

PLAN SUBMITTED TO: NCDOT SIGNING AND DELINEATION UNIT

MITCH EATON, PE SIGNING & DELINEATION REGIONAL ENGINEER
STACEY JOHNS SIGNING & DELINEATION PROJECT DESIGN ENGINEER

