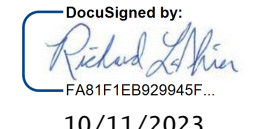

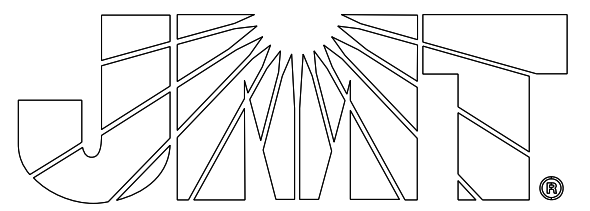
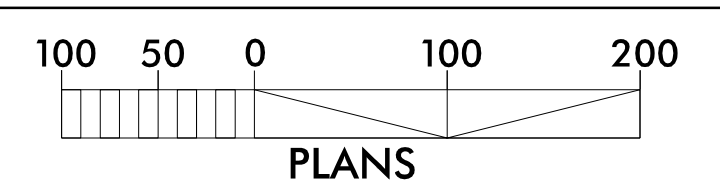
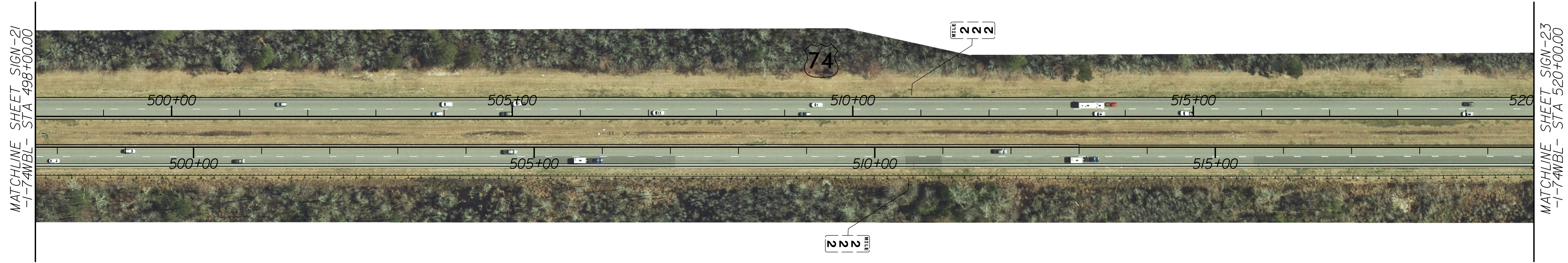
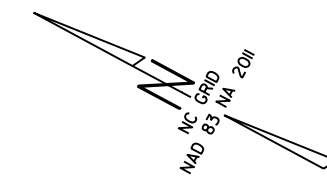


8/17/99


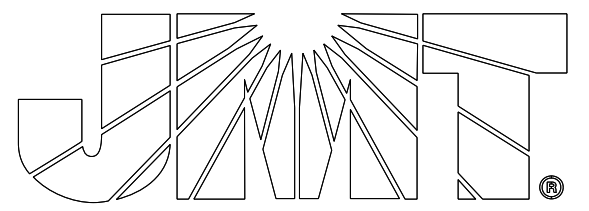
PROJECT REFERENCE NO. <i>HI-0016</i>	SHEET NO. <i>SIGN-22</i>
DocuSigned by:  FAB1F1EB92945F 10/11/2023	
	
	

NO SIGNING WORK
THIS SHEET

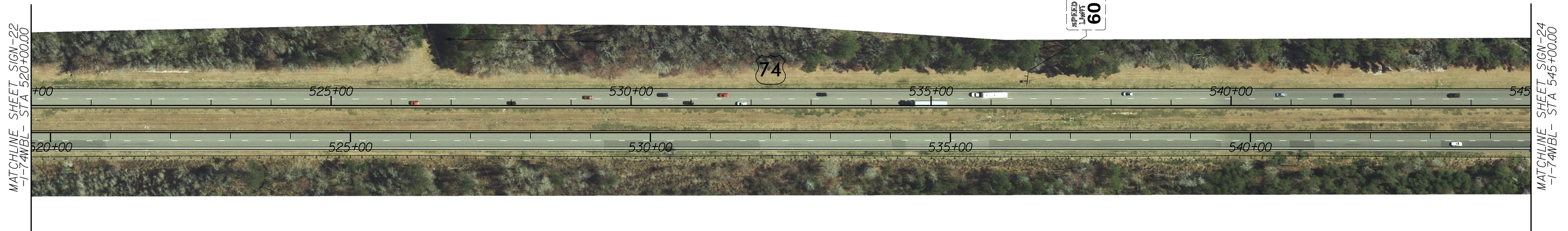
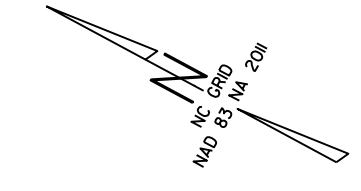


9/13/2023
User: RLaster

8/17/99

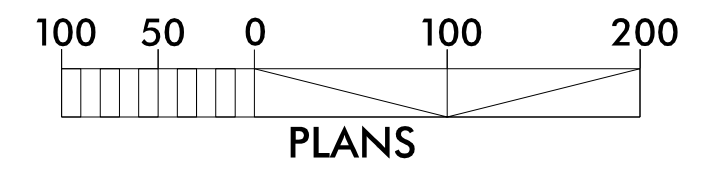
PROJECT REFERENCE NO. <i>HI-0016</i>	SHEET NO. <i>SIGN-23</i>
DocuSigned by: <i>Richard D. Laster</i> SEAL 047118 10/11/2023 	
	

NO SIGNING WORK
THIS SHEET



MATCHLINE SHEET SIGN-22
-1-74WBL- STA 520+00.00

MATCHLINE SHEET SIGN-24
-1-74WBL- STA 545+00.00



9/13/2023
User: RLaster