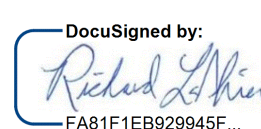

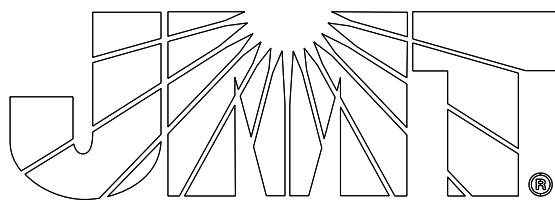


STATE OF NORTH CAROLINA
DEPARTMENT OF TRANSPORTATION

PROJECT REFERENCE NO. <i>HI-0016</i>	SHEET NO. <i>SIGN-1</i>
DocuSigned by:  F481F1E8929945F... 10/11/2023	
	
	

SIGNING PLAN ROBESON COUNTY

LOCATION: I-74 1 MILE EAST OF NC 41 TO LUMBER RIVER BRIDGES

ROADWAY STANDARD DRAWING

THE FOLLOWING ROADWAY STANDARDS AS APPEAR IN "ROADWAY STANDARD DRAWINGS" - PROJECT SERVICES UNIT - N.C. DEPARTMENT OF TRANSPORTATION - RALEIGH, N.C., DATED JANUARY 2018 ARE APPLICABLE TO THIS PROJECT AND BY REFERENCE HEREBY ARE CONSIDERED A PART OF THESE PLANS:

STD. NO.	TITLE
901.50	ARROWS AND SHIELDS
904.10	ORIENTATION OF GROUND MOUNTED SIGNS
904.50	MOUNTING OF TYPE 'D', 'E', AND 'F' SIGNS ON 'U' CHANNEL POSTS

GENERAL NOTES

- SIGNS FURNISHED BY STATE
- CONFIRM IN WRITING AT LEAST 4 MONTHS IN ADVANCE, THE ACTUAL DATE THE DEPARTMENT FURNISHED SIGNS WILL BE REQUIRED.
- ALL TYPE 'D' SIGNS SHALL BE MOUNTED ON TWO U-CHANNEL POSTS UNLESS OTHERWISE INDICATED ON THE PLANS.
- WHEN NOT STATIONED OR DIMENSIONED ON PLANS, ALL 'E' AND 'F' SIGNS SHALL BE FIELD LOCATED BY THE ENGINEER
- WHEN EXISTING SIGNS ARE REMOVED AND INSTALLED ON NEW SUPPORTS, THE RE-ERECTION SHALL IMMEDIATELY FOLLOW THE REMOVAL.
- THE BACKGROUND FOR TYPE E & F SIGNS SHALL BE TYPE C REFLECTIVE SHEETING.
- SIGNING PLANS DO NOT INCLUDE TEMPORARY CONSTRUCTION SIGNING, SEE TRAFFIC CONTROL PLANS. SEE PAVEMENT MARKING PLAN FOR PAVEMENT MARKING DESIGN.
- ALL SIGNS SHOWN ARE EXISTING AND SHALL REMAIN UNLESS OTHERWISE SPECIFIED BY PLAN NOTES.

SUMMARY OF QUANTITIES

ITEM NO.		ITEM DESCRIPTION	QUANTITY	UNIT
DESC. NO.	SECT. NO.			
4072000000	903	SUPPORTS, 3 LB STEEL U CHANNEL	250	LF
4096000000	904	SIGN ERECTION TYPE D	3	EA
4102000000	904	SIGN ERECTION TYPE E	4	EA
4108000000	904	SIGN ERECTION TYPE F	1	EA
4155000000	907	DISPOSAL OF SIGN SYSTEM, U-CHANNEL	4	EA

PAY ITEM NOTES

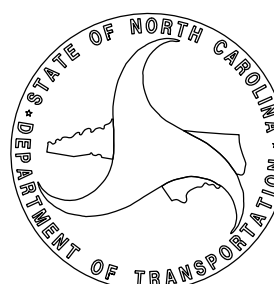
- 1 DISPOSAL OF SIGN AND SIGN ERECTION, ALL SIGNS TYPE D, E, AND F
- 2 SIGN ERECTION, TYPE E

INDEX

SHEET NO.	DESCRIPTION
SIGN-1	TITLE SHEET
SIGN-2	TYPE E AND F SIGNS
SIGN-3	TYPE D SIGNS
SIGN-4-19	NO SIGNING WORK PROPOSED (EXCLUDED FROM PLAN SET)
SIGN-20-27	SIGNING PLAN SHEET

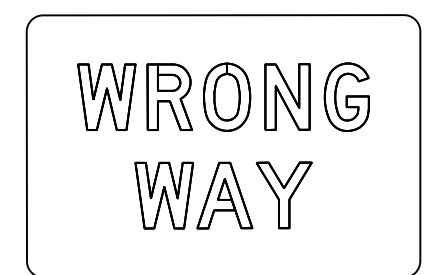
PLAN SUBMITTED TO: NCDOT SIGNING AND DELINEATION UNIT

MITCH EATON, PE SIGNING & DELINEATION REGIONAL ENGINEER
STACEY JOHNS SIGNING & DELINEATION PROJECT DESIGN ENGINEER



401

QUANTITY REQ'D 3

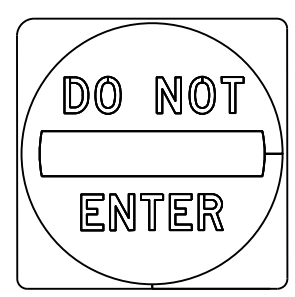


42" X 30"
R5-1a

TWO "U" POST PER SIGN

402

QUANTITY REQ'D 1



36" X 36"
R5-1

ONE "U" POST PER SIGN

503

QUANTITY REQ'D 1



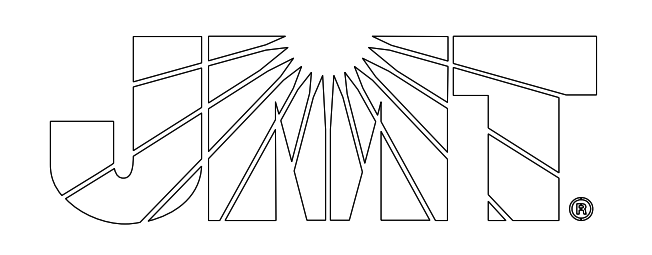
24" X 12"
M3-2

24" X 24"
M1-1

ONE "U" POST PER SIGN

PROJECT REFERENCE NO. <i>HI-0016</i>	SHEET NO. <i>SIGN-2</i>
DocuSigned by: SEAL FAB1F1EB929845F 10/11/2023	

TYPE "E" & "F" SIGNS



SIGN NUMBER: 301 TYPE: D QUANTITY: 1 SIGN WIDTH: 5'-6" HEIGHT: 2'-6" TOTAL AREA: 13.8 Sq.Ft. BORDER TYPE: FLUSH RECESS: 0" WIDTH: 0.75" RADII: 1.88" NO. Z BARS: LENGTH:	BACKG COLOR: Green COPY COLOR: White <table border="1"> <thead> <tr> <th>SYMBOL</th> <th>X</th> <th>Y</th> <th>WID</th> <th>HT</th> </tr> </thead> <tbody> <tr> <td>AR_Type D</td> <td>7.8</td> <td>17.8</td> <td>6</td> <td>9</td> </tr> <tr> <td>AR_Type D</td> <td>6.3</td> <td>4.7</td> <td>6</td> <td>9</td> </tr> </tbody> </table> MAT'L: 0.125" (3.2 mm) ALUMINUM	SYMBOL	X	Y	WID	HT	AR_Type D	7.8	17.8	6	9	AR_Type D	6.3	4.7	6	9	DESIGN BY: none PROJECT ID: ID CHECKED BY: LOCATION: Nov 11, 2022 DIV: DIV
SYMBOL	X	Y	WID	HT													
AR_Type D	7.8	17.8	6	9													
AR_Type D	6.3	4.7	6	9													

USE NOTES:
 1. Legend and border(except those that are colored black) shall be direct applied Grade C sheeting.
 2. Background shall be Grade C reflective sheeting.
 3. Shields; A, B, and C type arrows shall be on 0.032" (0.8mm) aluminum with Grade C reflective sheeting and demountable.

Spacing Factor is 1 unless specified otherwise

LETTER POSITIONS											Series/Size
Letter locations are panel edge to lower left corner											Text Length
W	h	i	t	e	v	i	l	i	e		D 2000
19.8	25.9	30.6	32.2	35	38.9	43.9	46.1	48.2	50.2		31.9
L	u	m	b	e	r	t	o	n			D 2000
21.3	25.7	30.5	37.6	41.9	46.3	48.7	51.5	56.2			38.4

FILENAME: Proposed signs
NORTH CAROLINA D.O.T. SIGN DETAIL

SIGN NUMBER: 302 TYPE: D QUANTITY: 1 SIGN WIDTH: 5'-6" HEIGHT: 2'-6" TOTAL AREA: 13.8 Sq.Ft. BORDER TYPE: FLUSH RECESS: 0" WIDTH: 0.75" RADII: 1.88" NO. Z BARS: LENGTH:	BACKG COLOR: Green COPY COLOR: White <table border="1"> <thead> <tr> <th>SYMBOL</th> <th>X</th> <th>Y</th> <th>WID</th> <th>HT</th> </tr> </thead> <tbody> <tr> <td>AR_Type D</td> <td>7.3</td> <td>17.8</td> <td>6</td> <td>9</td> </tr> <tr> <td>AR_Type D</td> <td>47.5</td> <td>4.8</td> <td>6</td> <td>9</td> </tr> </tbody> </table> MAT'L: 0.125" (3.2 mm) ALUMINUM	SYMBOL	X	Y	WID	HT	AR_Type D	7.3	17.8	6	9	AR_Type D	47.5	4.8	6	9	DESIGN BY: none PROJECT ID: ID CHECKED BY: LOCATION: Nov 11, 2022 DIV: DIV
SYMBOL	X	Y	WID	HT													
AR_Type D	7.3	17.8	6	9													
AR_Type D	47.5	4.8	6	9													

USE NOTES:
 1. Legend and border(except those that are colored black) shall be direct applied Grade C sheeting.
 2. Background shall be Grade C reflective sheeting.
 3. Shields; A, B, and C type arrows shall be on 0.032" (0.8mm) aluminum with Grade C reflective sheeting and demountable.

Spacing Factor is 1 unless specified otherwise

LETTER POSITIONS											Series/Size
Letter locations are panel edge to lower left corner											Text Length
W	i	l	i	m	i	n	g	t	o	n	D 2000
19.3	25.4	27.6	29.8	36.8	39	43.4	47.7	50.5	55.1		39.4
F	a	i	r	m	o	n	t				D 2000
9.5	13.7	18.3	20.5	23.5	30.3	34.9	39.1				31.9

FILENAME: Proposed signs
NORTH CAROLINA D.O.T. SIGN DETAIL

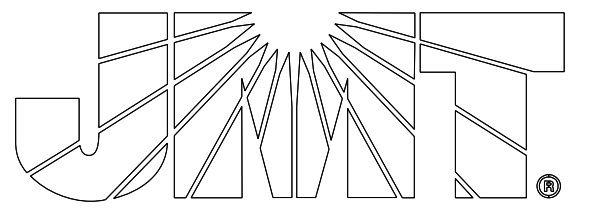
SIGN NUMBER: 303 TYPE: D QUANTITY: 1 SIGN WIDTH: 6'-0" HEIGHT: 2'-6" TOTAL AREA: 15.0 Sq.Ft. BORDER TYPE: FLUSH RECESS: 0" WIDTH: 0.75" RADII: 1.88" NO. Z BARS: LENGTH:	BACKG COLOR: Green COPY COLOR: White <table border="1"> <thead> <tr> <th>SYMBOL</th> <th>X</th> <th>Y</th> <th>WID</th> <th>HT</th> </tr> </thead> <tbody> <tr> <td></td> <td></td> <td></td> <td></td> <td></td> </tr> </tbody> </table> MAT'L: 0.125" (3.2 mm) ALUMINUM	SYMBOL	X	Y	WID	HT						DESIGN BY: none PROJECT ID: ID CHECKED BY: LOCATION: Nov 11, 2022 DIV: DIV
SYMBOL	X	Y	WID	HT								

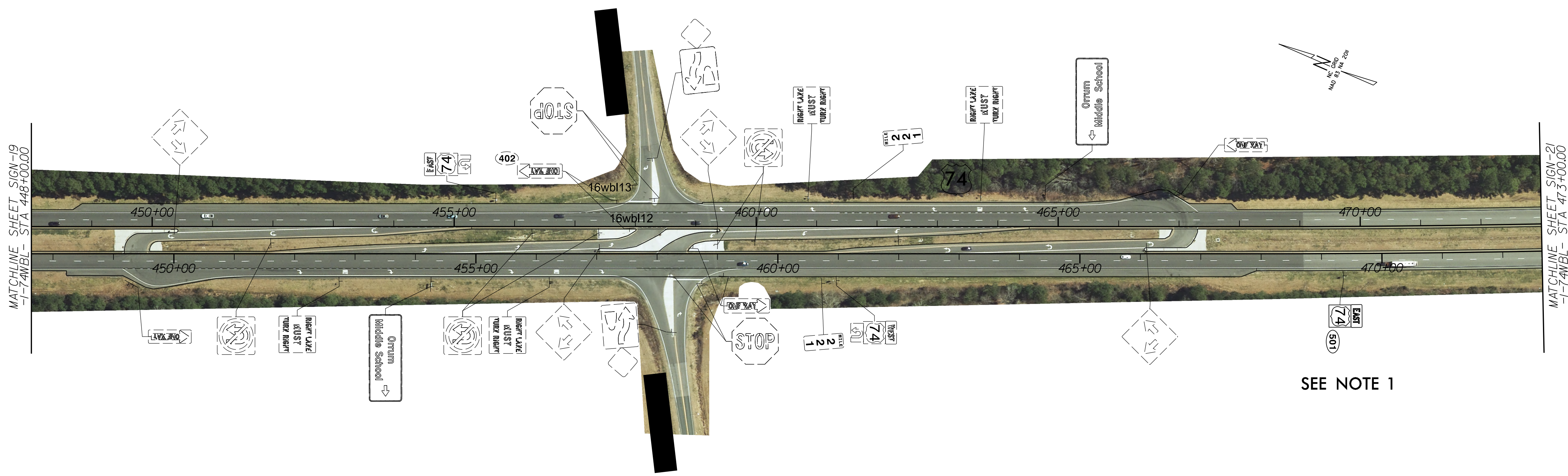
USE NOTES:
 1. Legend and border(except those that are colored black) shall be direct applied Grade C sheeting.
 2. Background shall be Grade C reflective sheeting.
 3. Shields; A, B, and C type arrows shall be on 0.032" (0.8mm) aluminum with Grade C reflective sheeting and demountable.

Spacing Factor is 1 unless specified otherwise

LETTER POSITIONS											Series/Size
Letter locations are panel edge to lower left corner											Text Length
W	h	i	t	e	v	i	l	i	e		D 2000
7.1	13.3	17.9	19.6	22.4	26.3	31.3	33.4	35.6	37.5		33.9
2	0										D 2000
55.3	60.6										9.5
W	i	l	i	m	i	n	g	t	o	n	D 2000
7.1	13.3	15.4	17.6	24.7	26.8	31.3	35.5	38.3	43		39.4
6	5										D 2000
55.5	60.8										9.4

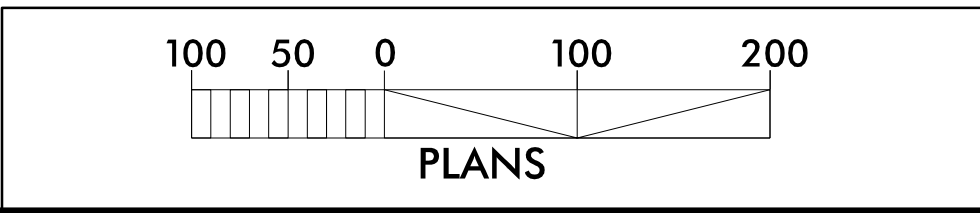
FILENAME: Proposed signs
NORTH CAROLINA D.O.T. SIGN DETAIL

PROJECT REFERENCE NO. HI-0016	SHEET NO. SIGN-20
DocuSigned by: <i>Richard D. Lasher</i> SEAL 047118 ENGINEER 10/11/2023	
	

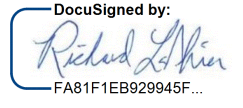

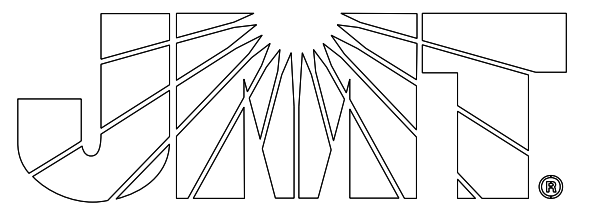


SEE NOTE 1

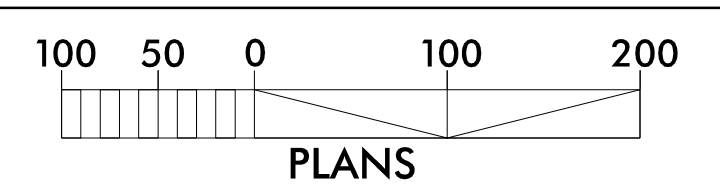
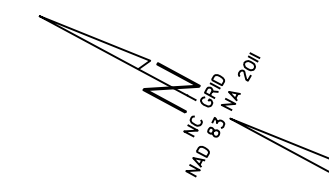
- PROJECT NOTES**
- DISPOSAL OF SIGN AND SIGN ERECTION, ALL SIGNS TYPE D, E, AND F
 - SIGN ERECTION, TYPE E



8/17/99

PROJECT REFERENCE NO. HI-0016	SHEET NO. SIGN-21
Designed by:  10/11/2023	
	
	

NO SIGNING WORK
THIS SHEET



9/13/2023
User:rlaster