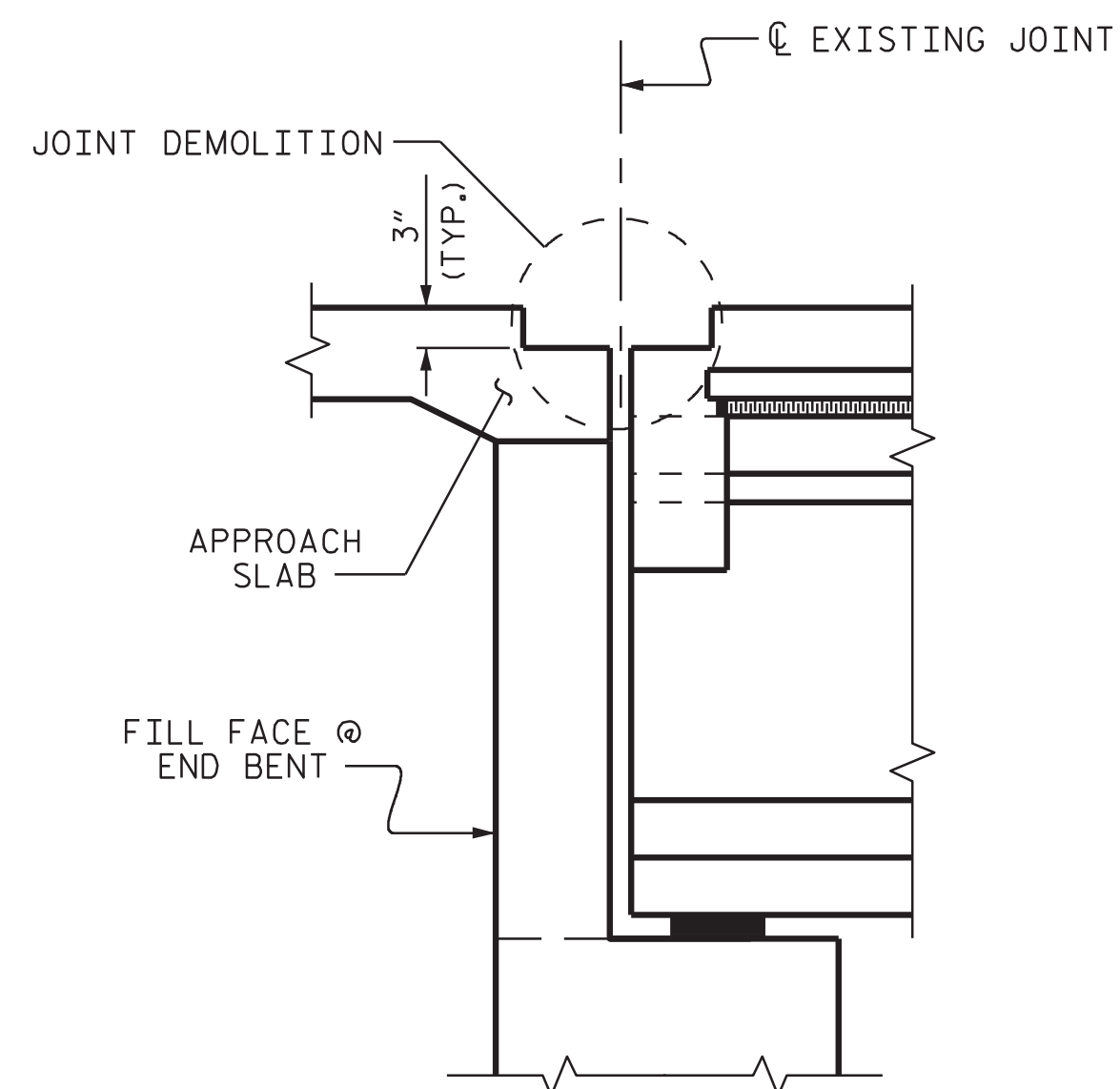
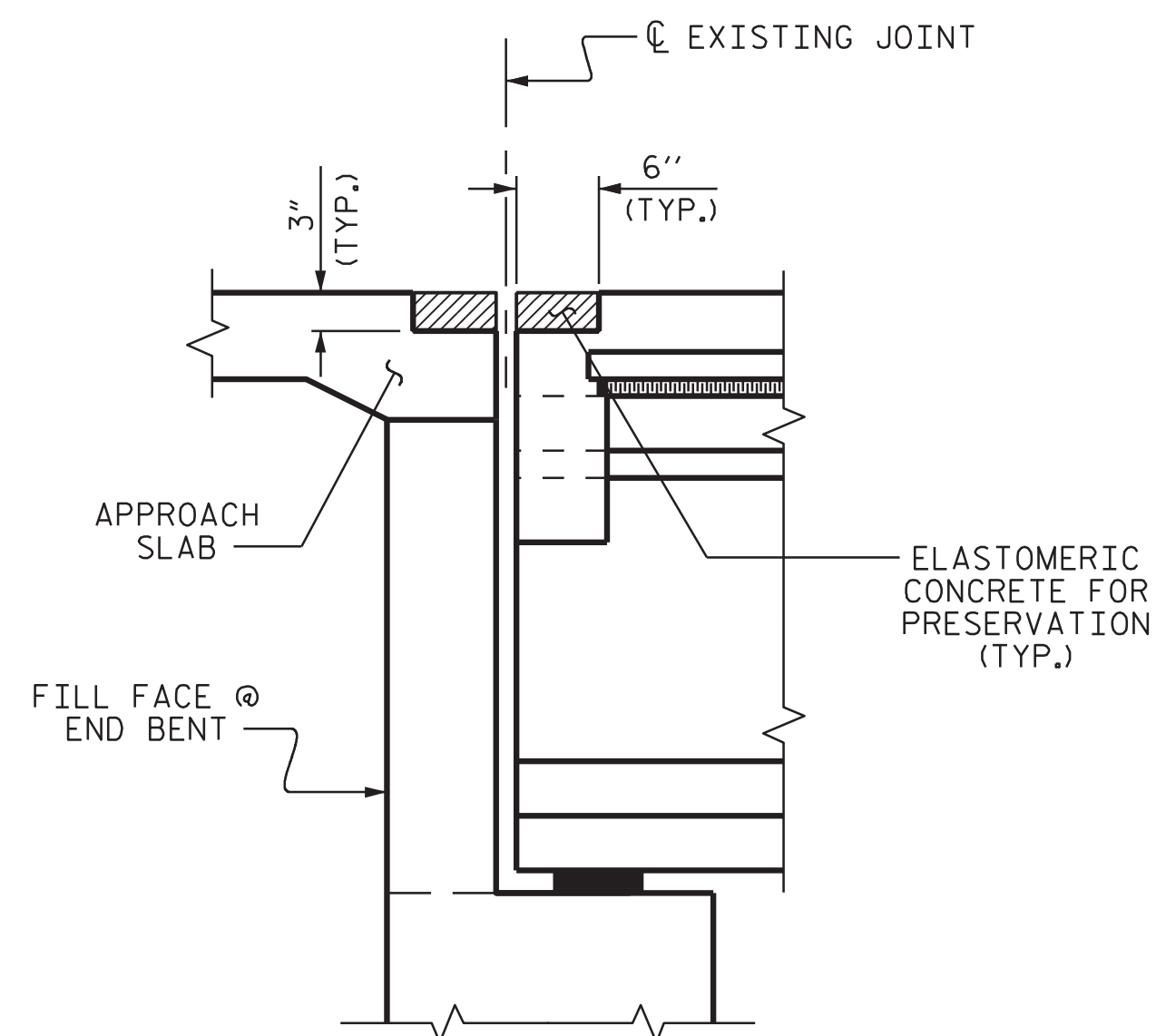


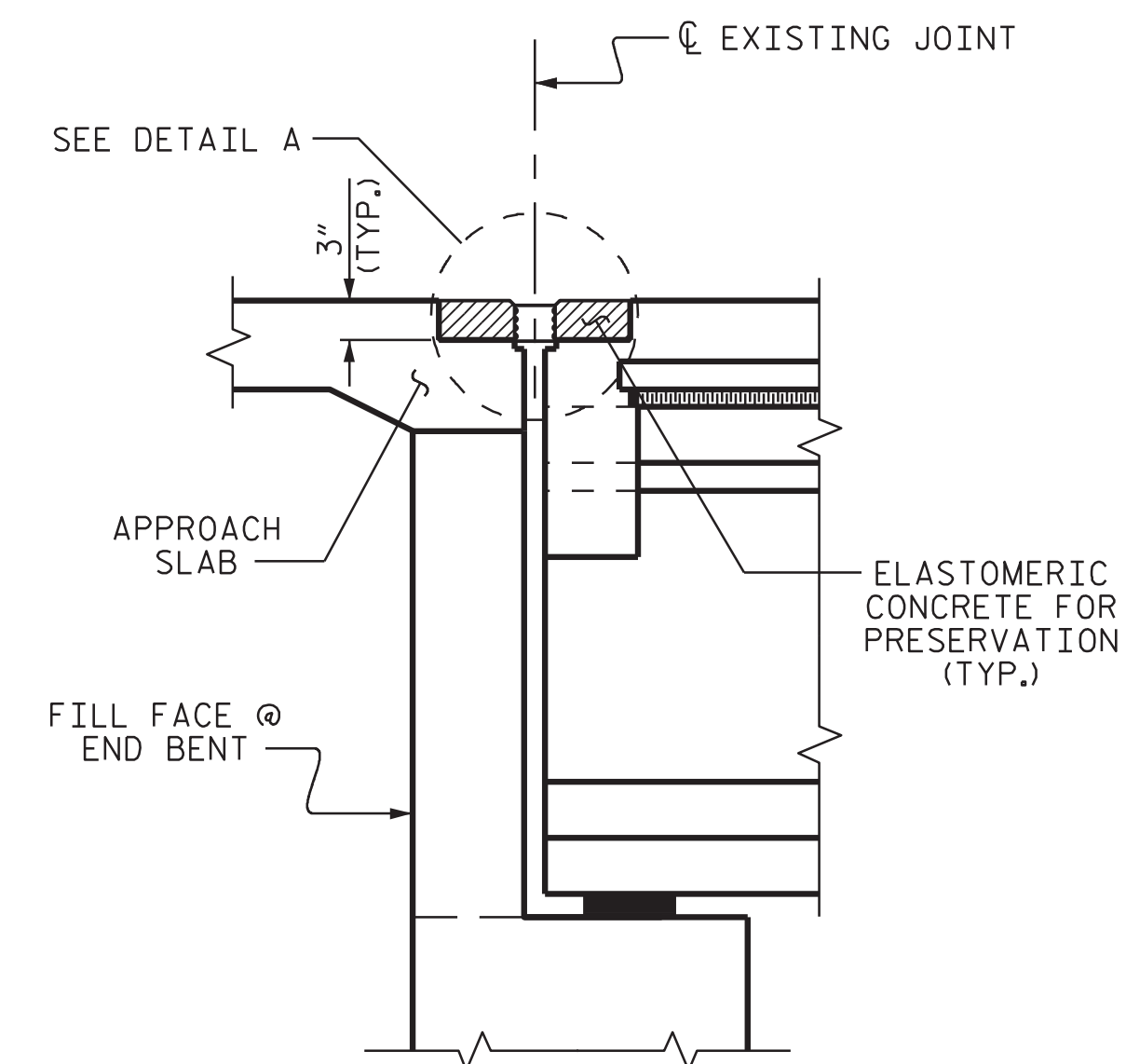
EXISTING JOINT



PROPOSED JOINT PREPARATION
(MINIMUM EXISTING JOINT DEMOLITION)



PROPOSED JOINT PRESAWED



PROPOSED FOAM JOINT

JOINT INSTALLATION SEQUENCE AT END BENTS (SECTION A-A)

PROJECT NO. HI-0016
ROBESON COUNTY
 BRIDGE NO. 770110, 770465
770118, 770466
 SHEET 1 OF 2

STATE OF NORTH CAROLINA
 DEPARTMENT OF TRANSPORTATION
 RALEIGH

JOINT REPAIR
 DETAILS



VOLKERT
 5430 Wade Park Blvd, Suite 410
 Raleigh, NC 27607
 Tel. 919-854-0344 Fax. 919-854-0355
 NC License No. F-0765

DOCUMENT NOT CONSIDERED
 FINAL UNLESS ALL
 SIGNATURES COMPLETED

REVISIONS						SHEET NO.
NO.	BY:	DATE:	NO.	BY:	DATE:	S-20
1			3			TOTAL SHEETS
2			4			21

DRAWN BY : D. A. GLADDEN DATE : 11/22
 CHECKED BY : E. E. MURRAY DATE : 11/22