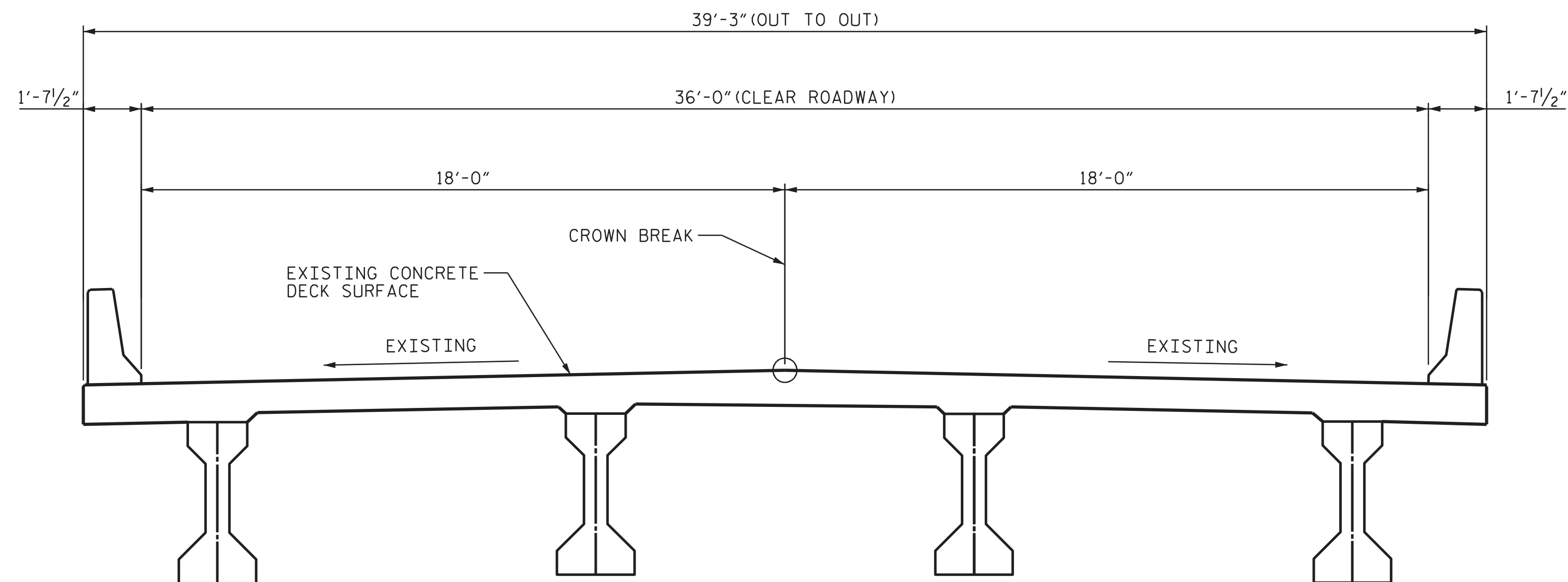
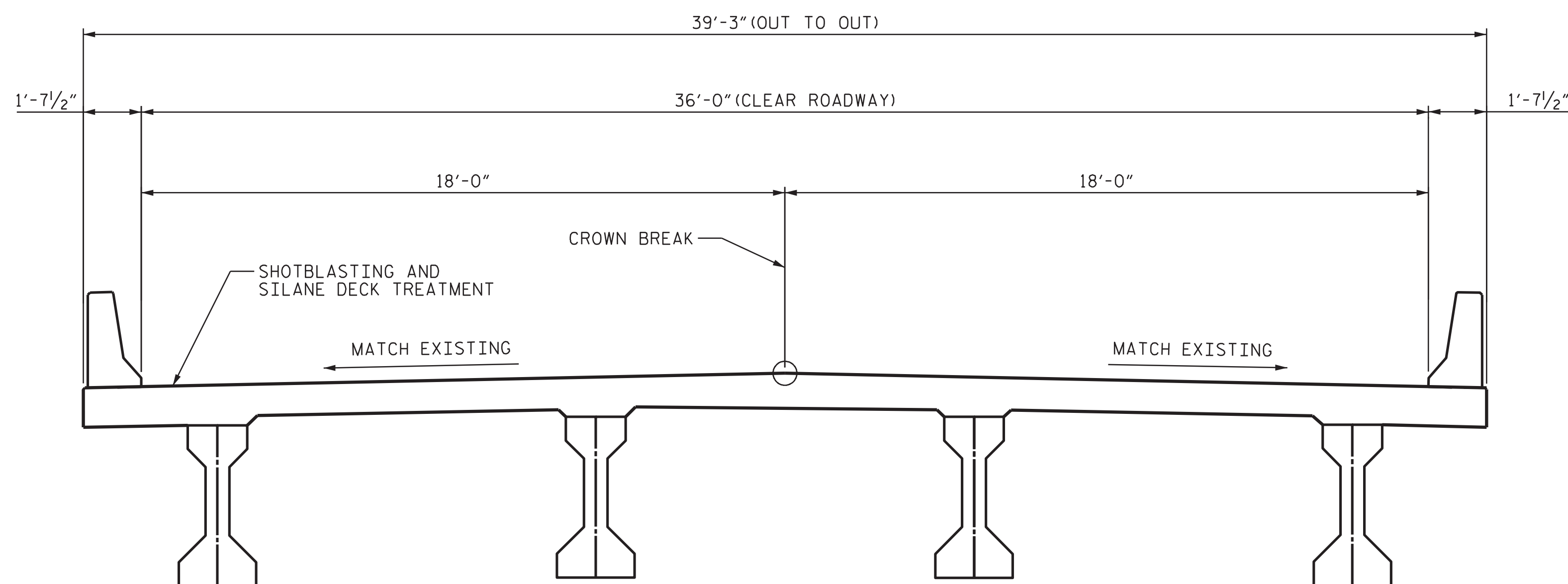


NOTES

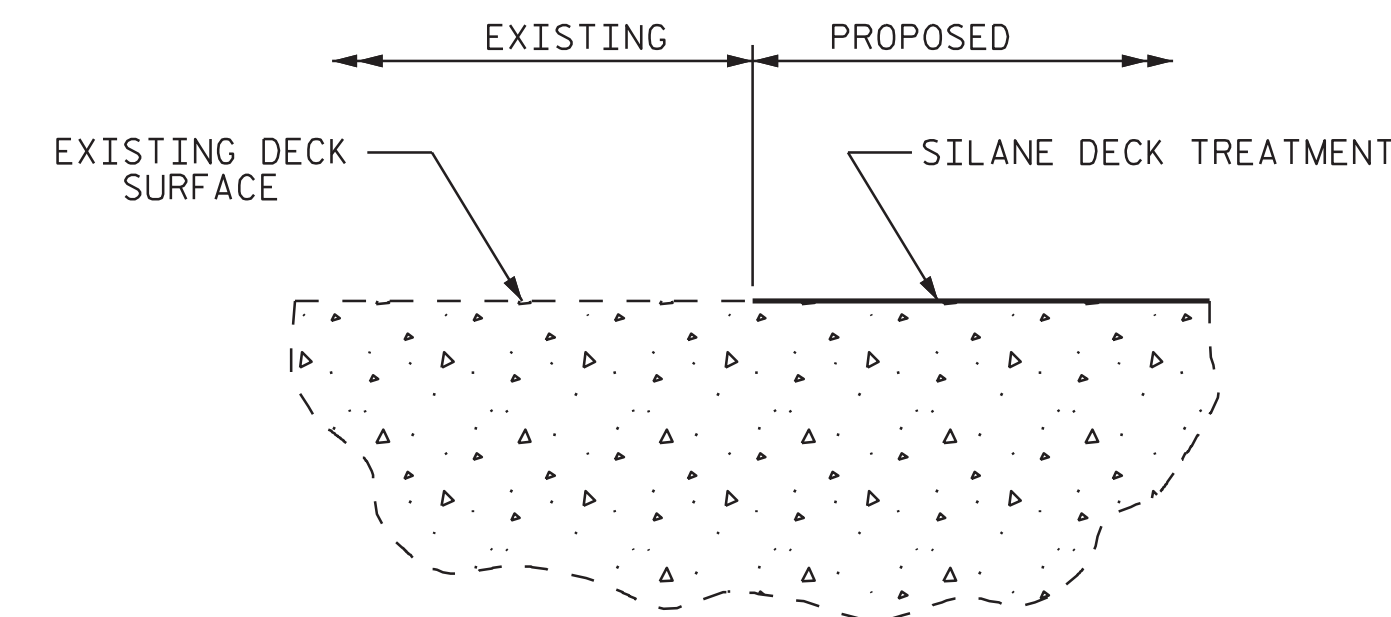
SEE TRANSPORTATION MANAGEMENT PLANS FOR LANE WIDTHS, SEQUENCING AND OTHER TRAFFIC CONTROL MEASURES FOR STAGING OF SURFACE PREPARATION AND SILANE DECK TREATMENT.



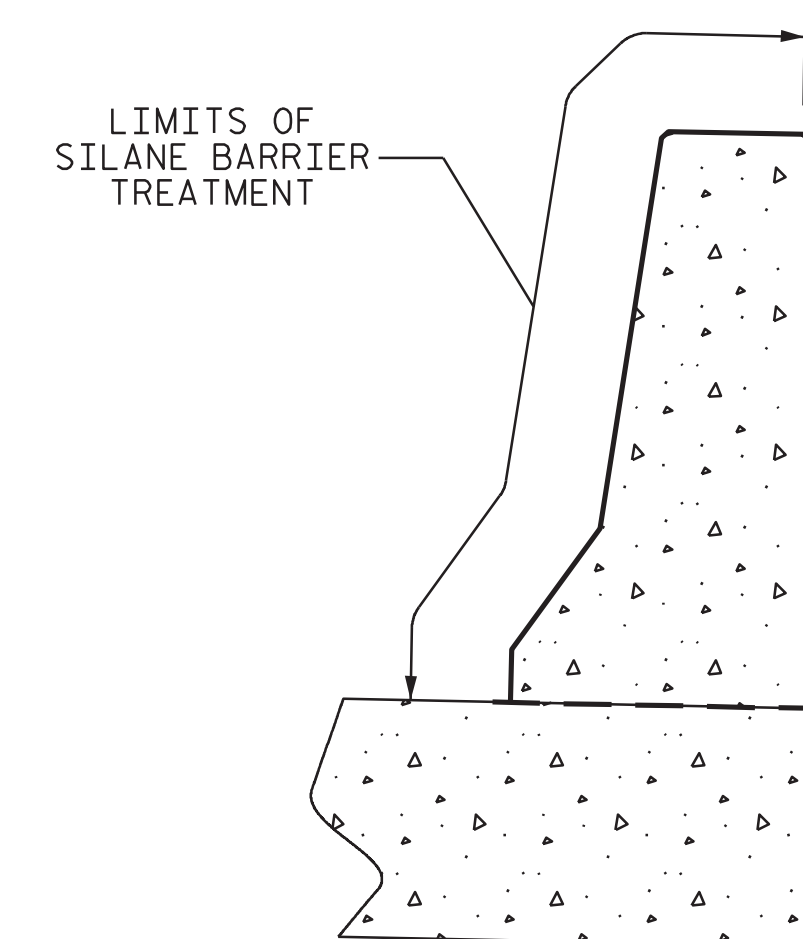
EXISTING TYPICAL SECTION



PROPOSED TYPICAL SECTION



SILANE DECK TREATMENT



SILANE BARRIER RAIL TREATMENT

PROJECT NO. HI-0016
ROBESON COUNTY
 BRIDGE NO: 770512

STATE OF NORTH CAROLINA
 DEPARTMENT OF TRANSPORTATION
 RALEIGH

TYPICAL SECTION



VOLKERT
 5430 Wade Park Blvd., Suite 410
 Raleigh, NC 27607
 Tel. 919-854-0344 Fax. 919-854-0355
 NC License No. F-0765

DOCUMENT NOT CONSIDERED
 FINAL UNLESS ALL
 SIGNATURES COMPLETED

REVISIONS						SHEET NO.
NO.	BY:	DATE:	NO.	BY:	DATE:	
1			3			S-18
2			4			TOTAL SHEETS 21

DRAWN BY : T. MAZARURA DATE : 11/22
 CHECKED BY : E. E. MURRAY DATE : 11/22