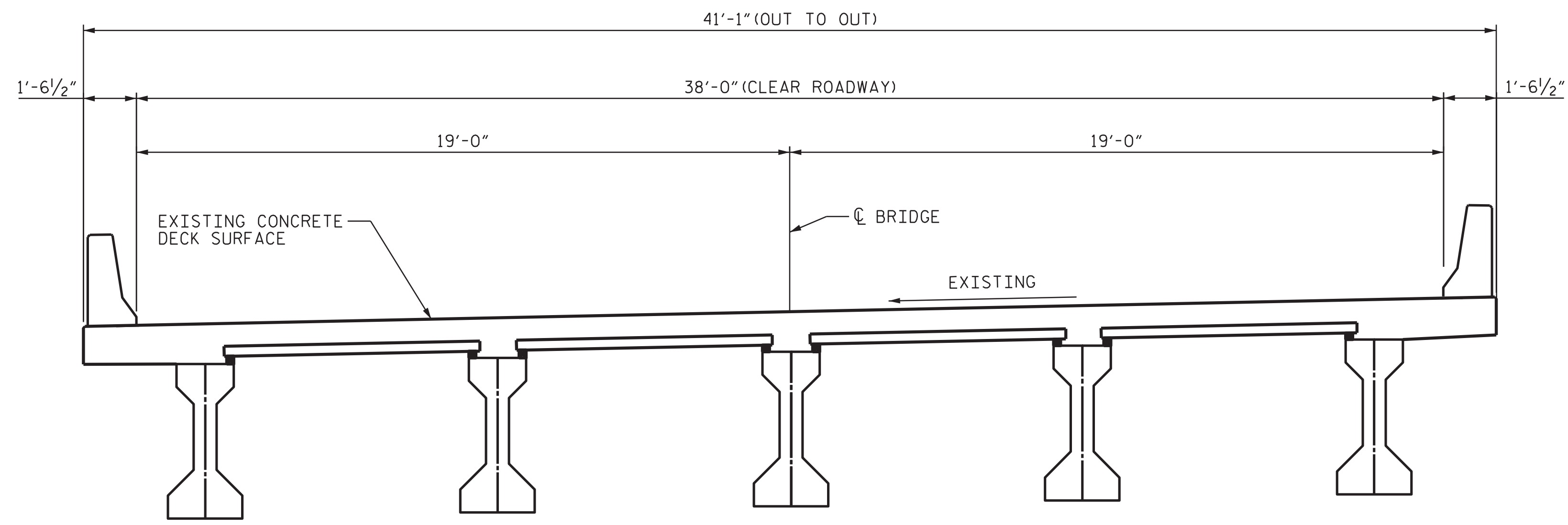
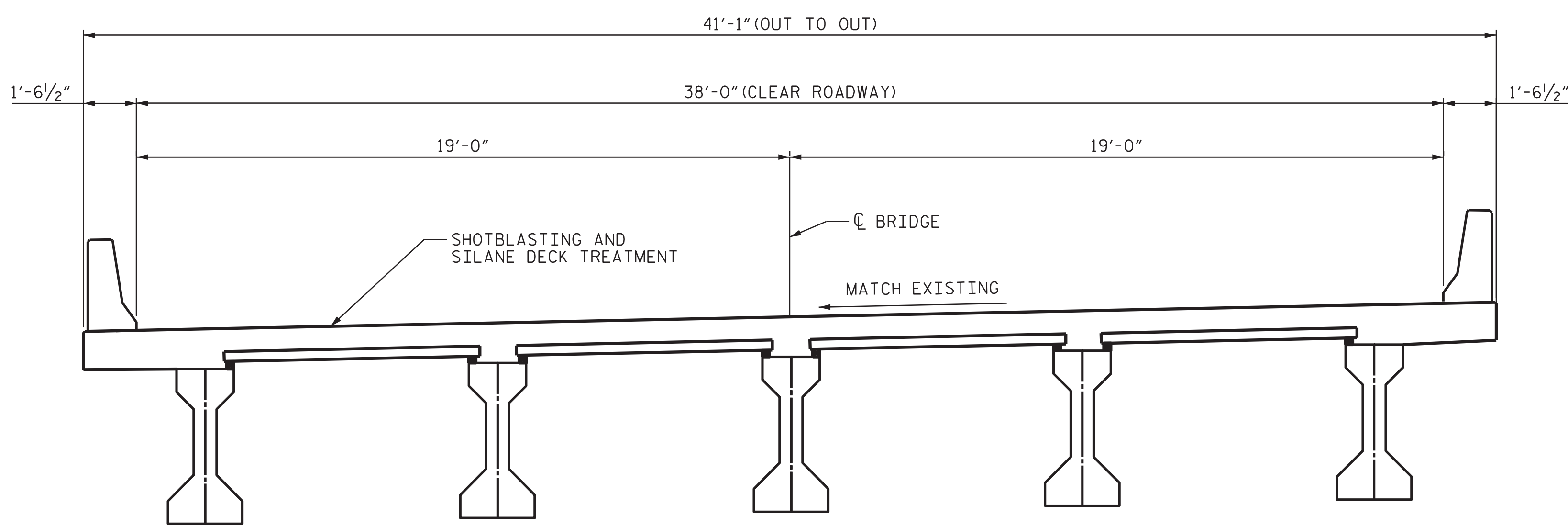


**NOTES**

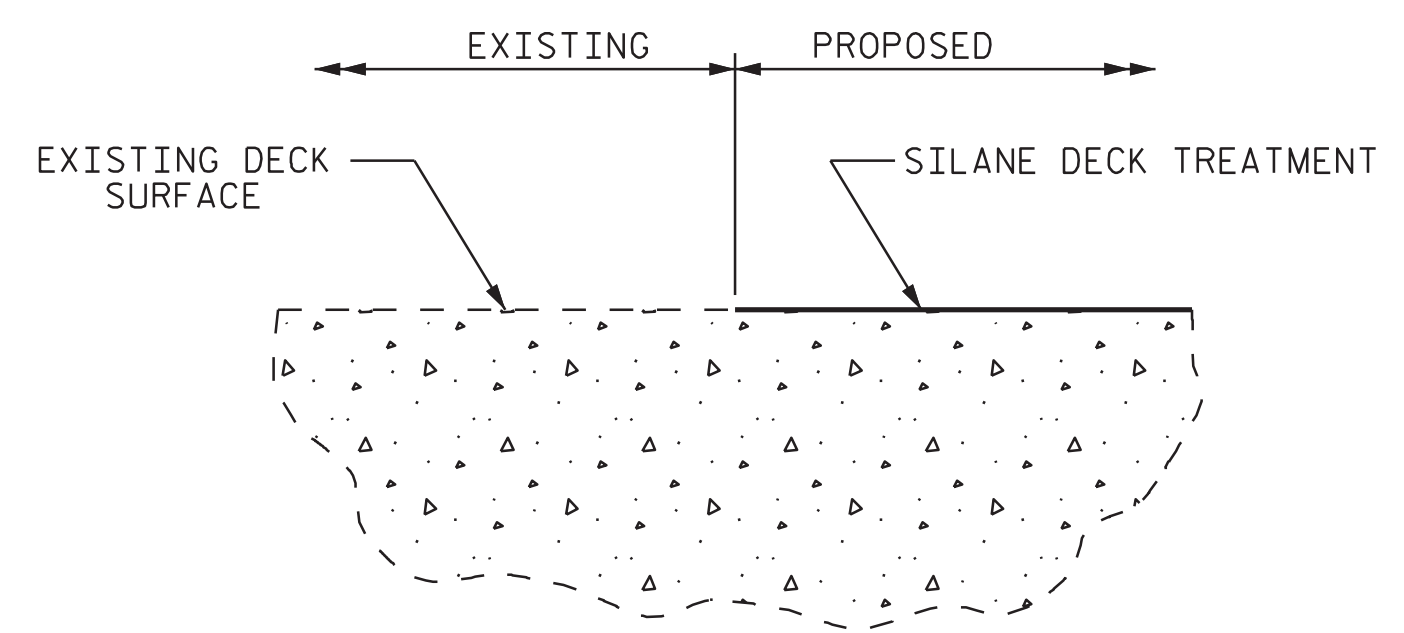
SEE TRANSPORTATION MANAGEMENT PLANS FOR LANE WIDTHS, SEQUENCING AND OTHER TRAFFIC CONTROL MEASURES FOR STAGING OF SURFACE PREPARATION AND SILANE DECK TREATMENT.



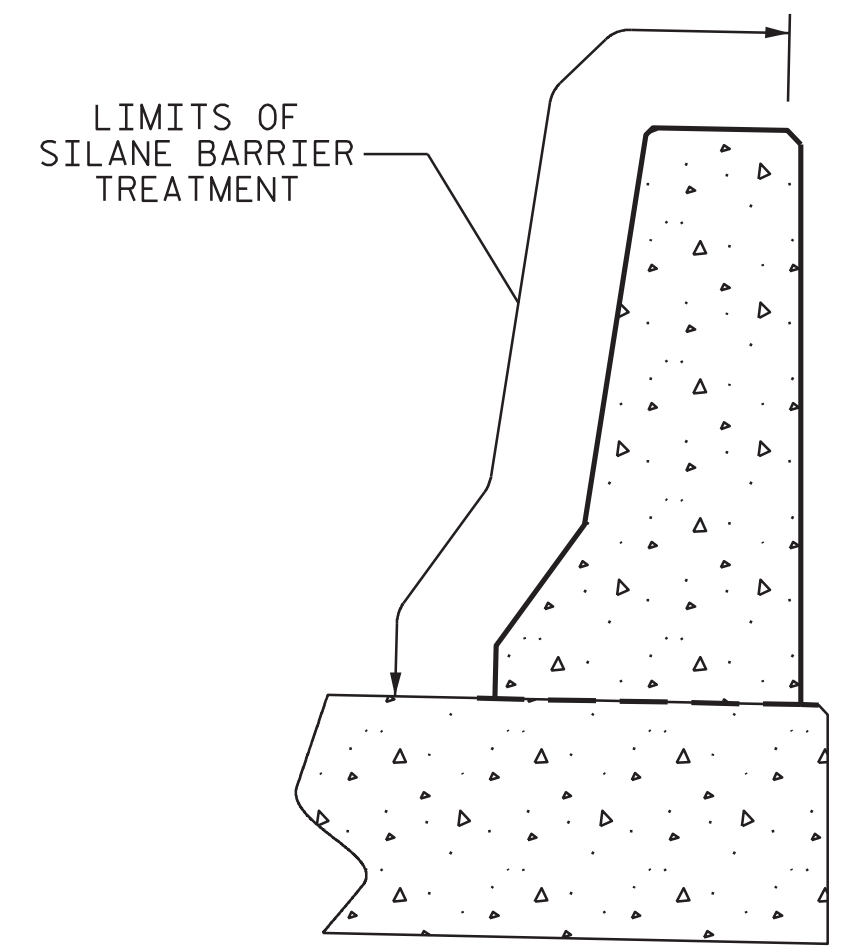
EXISTING TYPICAL SECTION



PROPOSED TYPICAL SECTION



SILANE DECK TREATMENT



SILANE BARRIER RAIL TREATMENT

PROJECT NO. HI-0016  
ROBESON COUNTY  
 BRIDGE NO. 770118



STATE OF NORTH CAROLINA  
 DEPARTMENT OF TRANSPORTATION  
 RALEIGH

**TYPICAL SECTION**

**VOLKERT**  
 5430 Wade Park Blvd., Suite 410  
 Raleigh, NC 27607  
 Tel. 919-854-0344 Fax. 919-854-0355  
 NC License No. F-0765

DOCUMENT NOT CONSIDERED  
 FINAL UNLESS ALL  
 SIGNATURES COMPLETED

REVISIONS						SHEET NO.
NO.	BY:	DATE:	NO.	BY:	DATE:	TOTAL SHEETS
1			3			5-9
2			4			21

DRAWN BY : T. MAZARURA DATE : 11/22  
 CHECKED BY : E. E. MURRAY DATE : 12/22