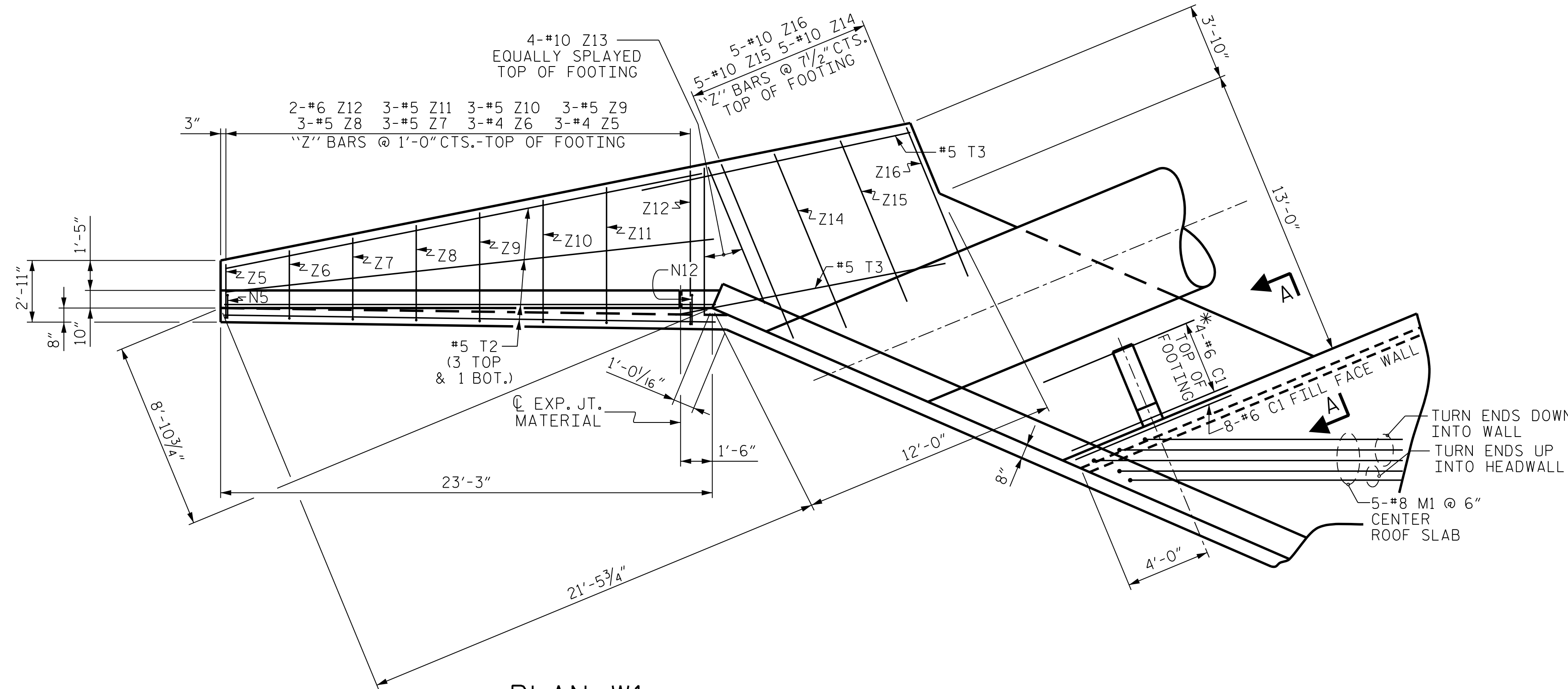
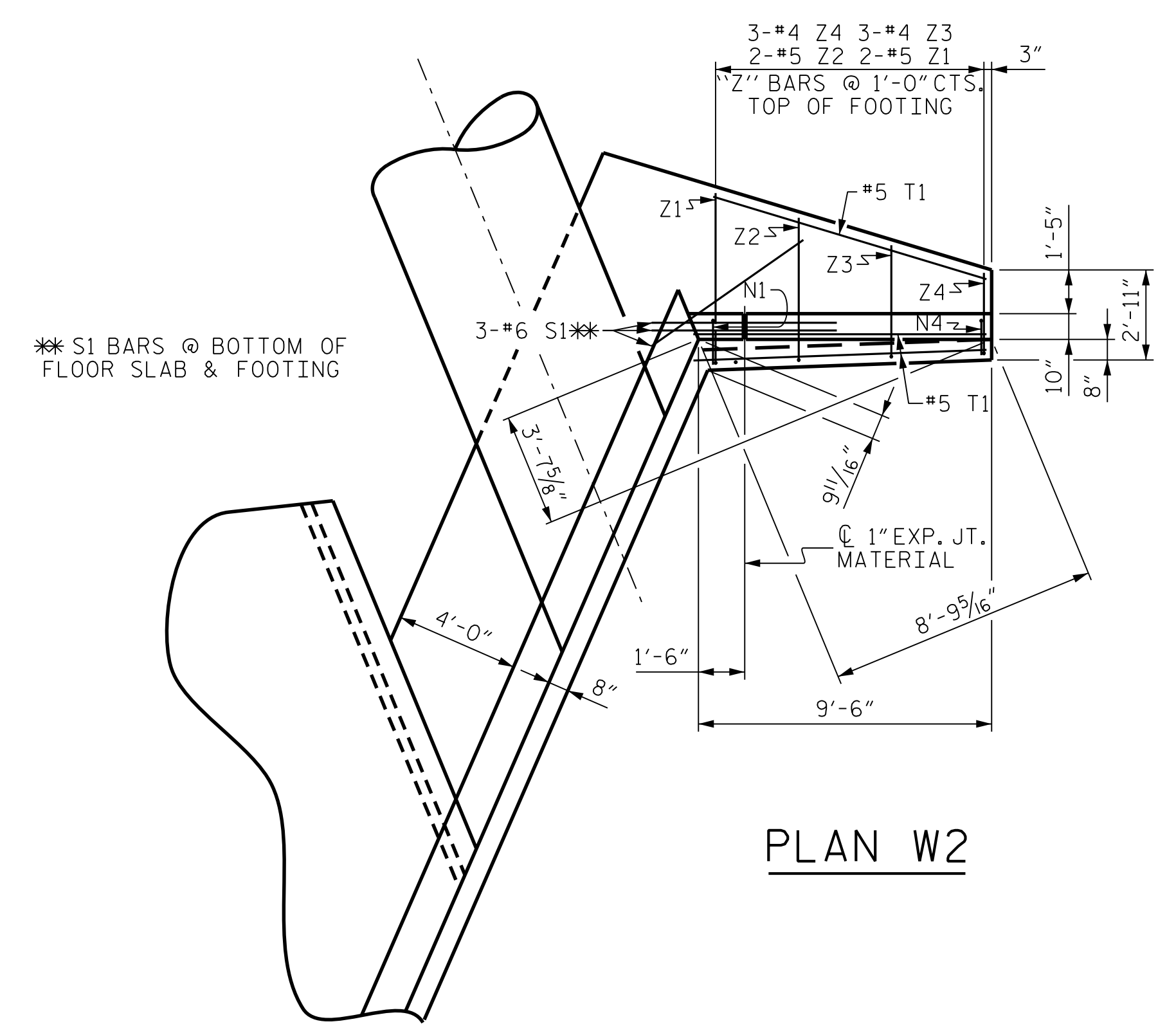


8/31/2023 R:\Structures\Culverts\Culvert 6 - CobbCreek\GN\Final\R-5861_SMU_CU_6-12_190003.dgn

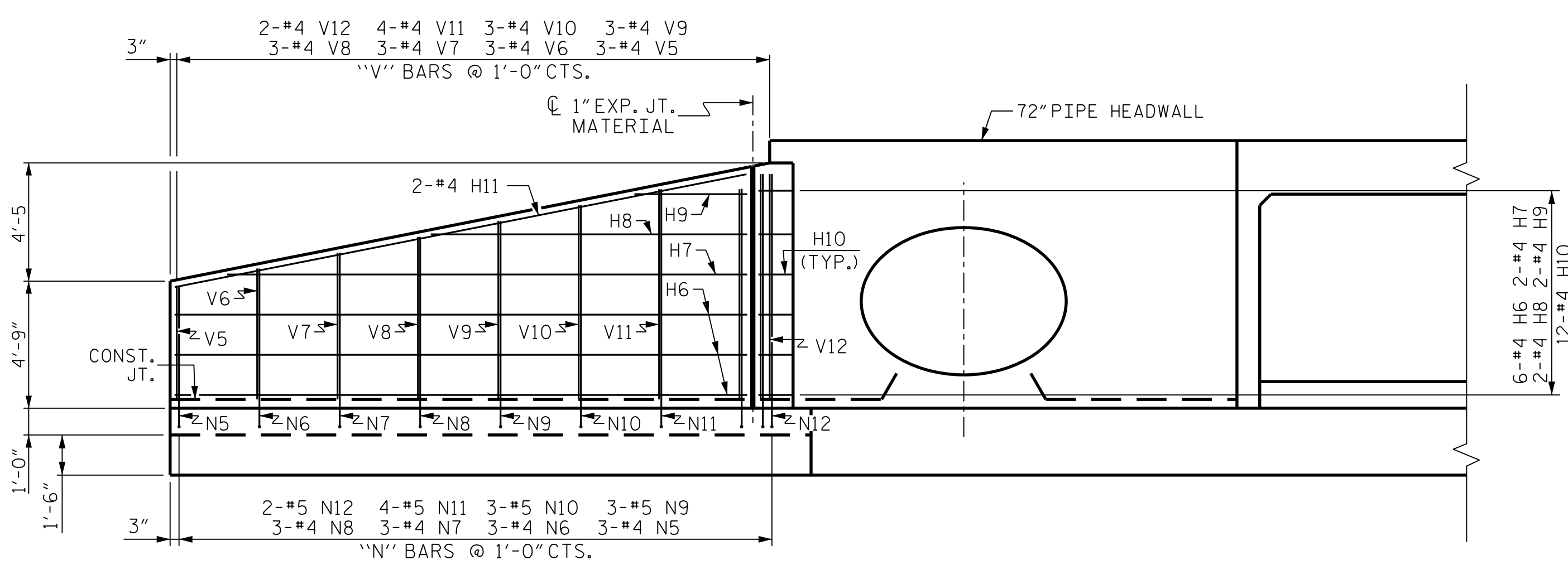


PLAN W1

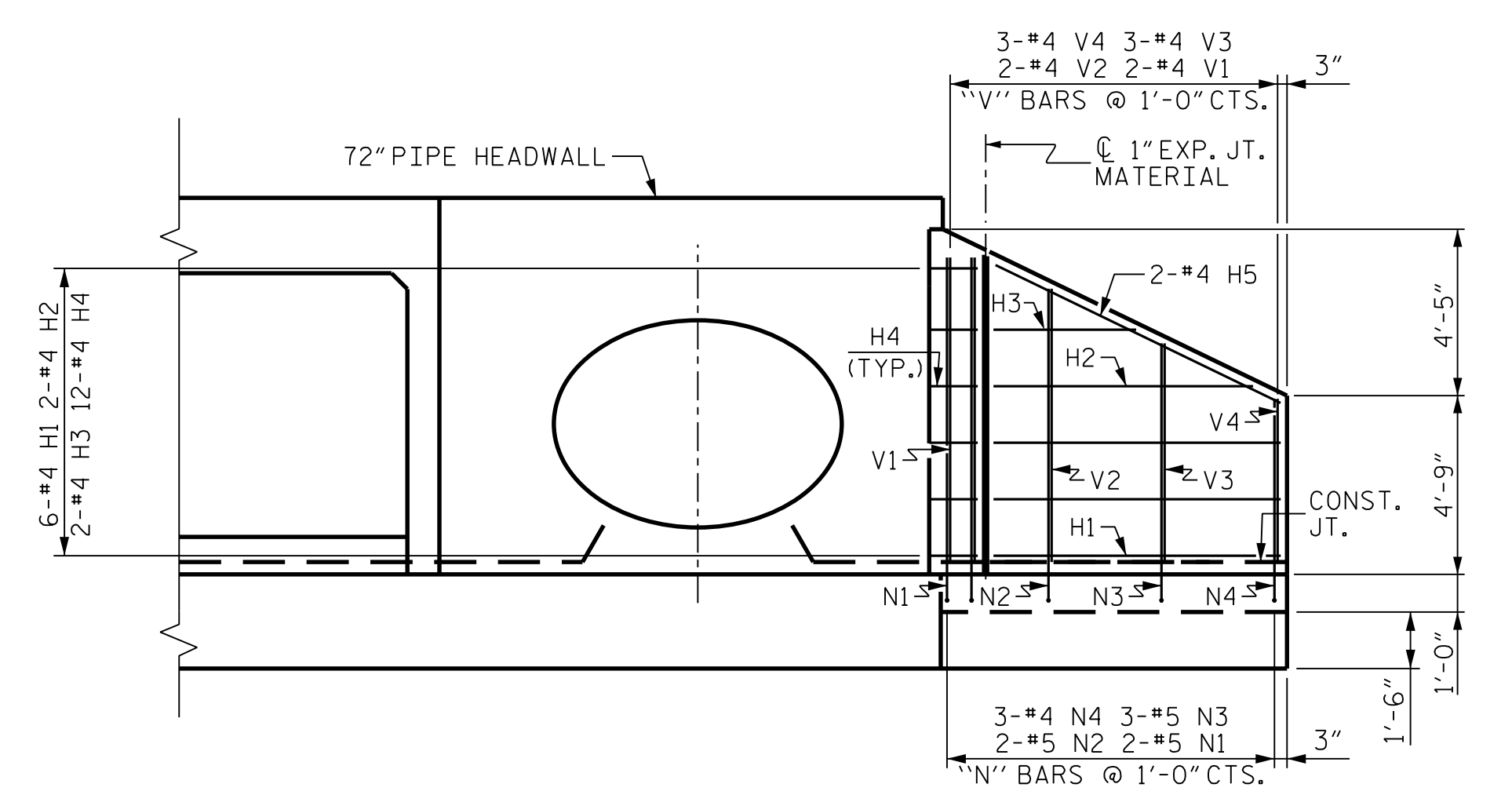
* CENTER ALL #6 C1 BARS ON C/COUNTERFORT



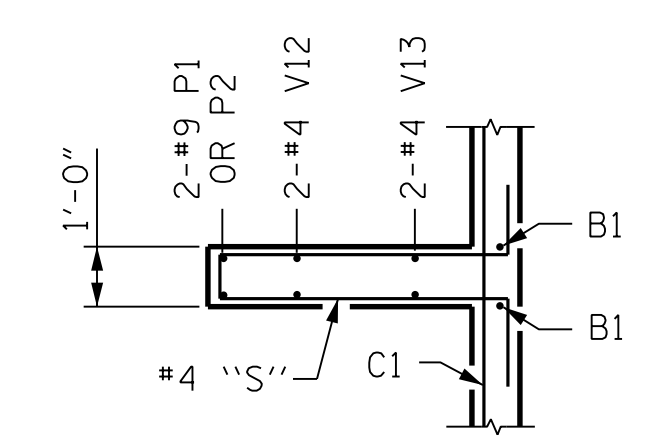
PLAN W2



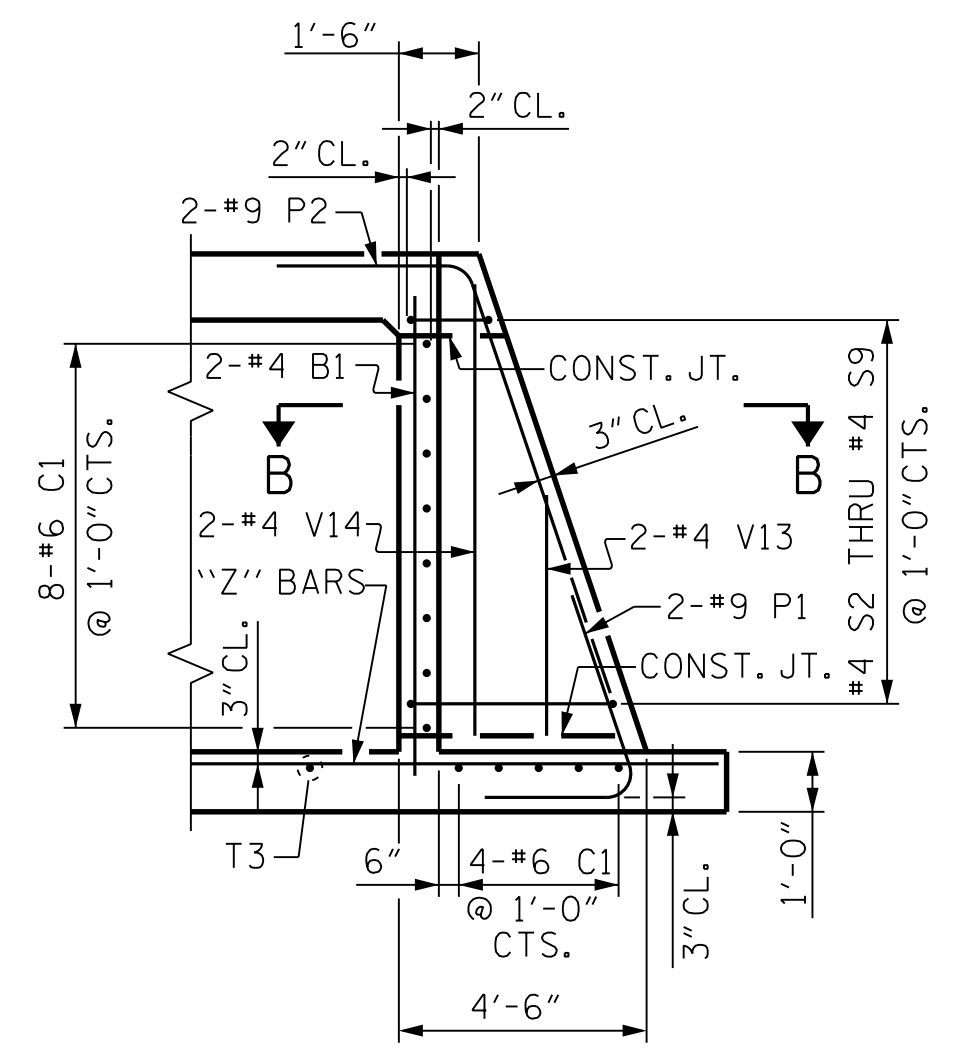
ELEVATION W1



ELEVATION W2

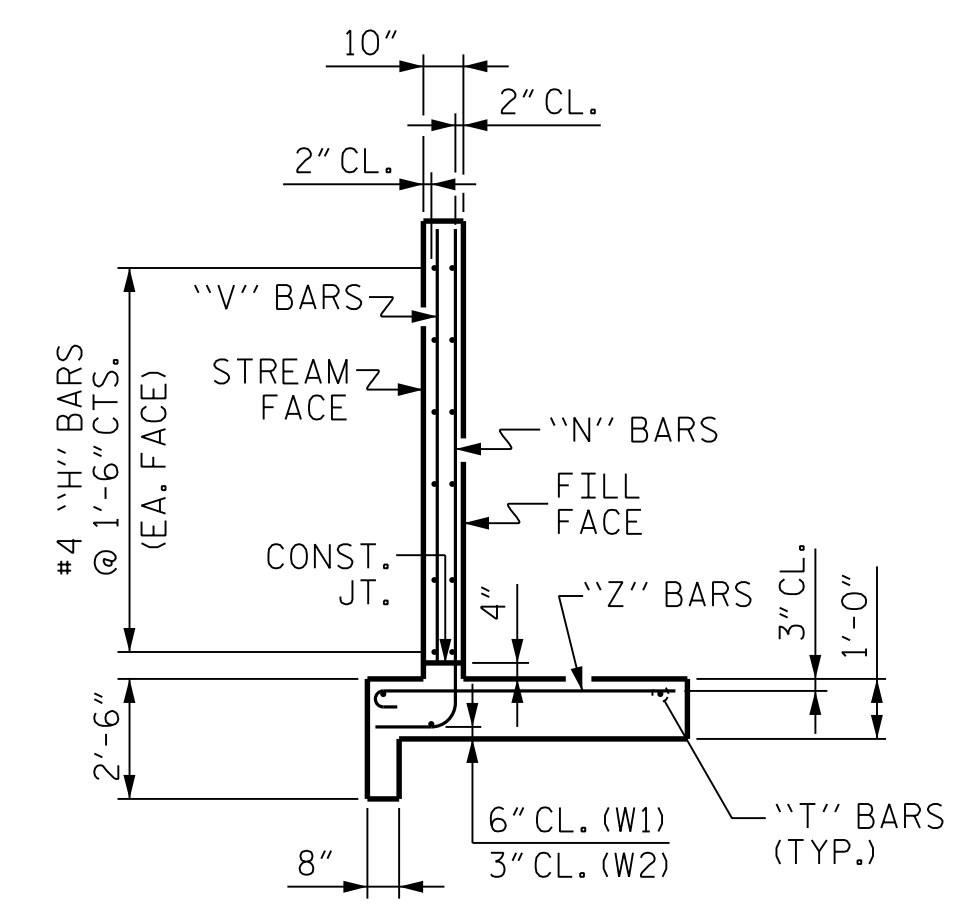


SECTION B-B



SECTION A-A

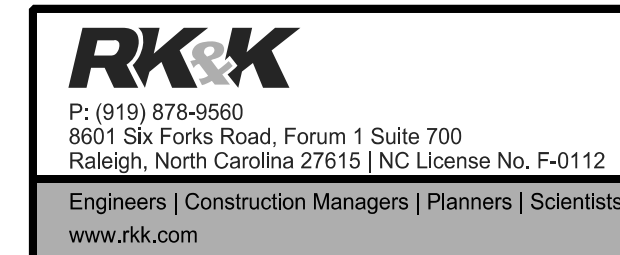
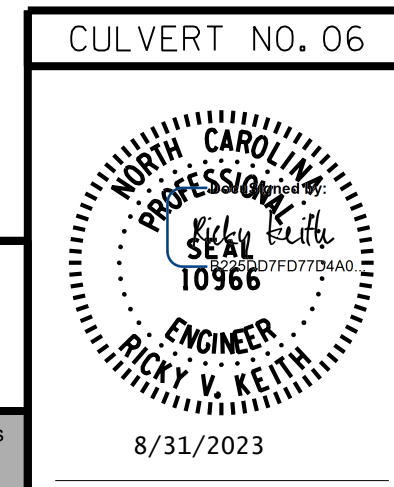
STANDARD REINFORCING STEEL IN BARREL NOT SHOWN



WING SECTION

PROJECT NO. R-5861
CHEROKEE COUNTY
 STATION: 71+92.10 -L-

SHEET 12 OF 15



STATE OF NORTH CAROLINA
 DEPARTMENT OF TRANSPORTATION
 RALEIGH
WINGS FOR
CONCRETE BOX CULVERT
 H = 8'-0" SLOPE : 2:1

REVISIONS				SHEET NO.	
NO.	BY:	DATE:	NO.	BY:	DATE:
1			3		
2			4		

DRAWN BY : A. J. WOLCOTT DATE : JUL 2023
 CHECKED BY : R. V. KEITH DATE : JUL 2023
 DESIGN ENGINEER OF RECORD : R. V. KEITH DATE : JUL 2023

DOCUMENT NOT CONSIDERED FINAL
UNLESS ALL SIGNATURES COMPLETED

TOTAL SHEETS
15