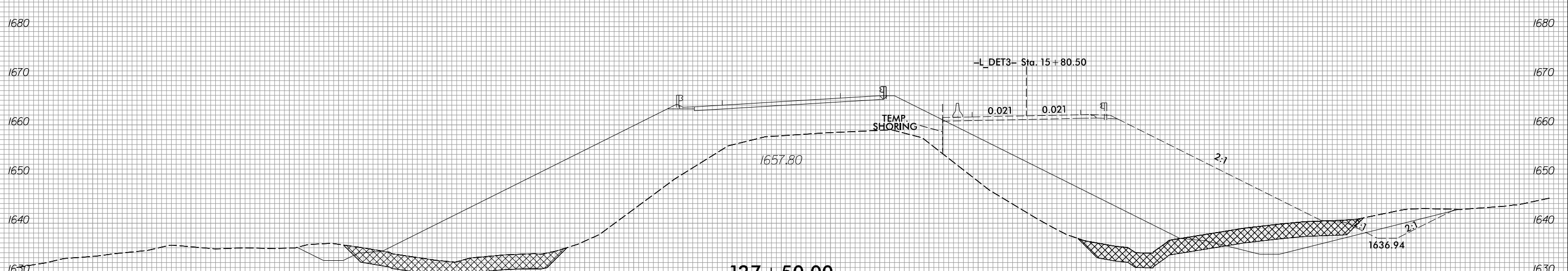
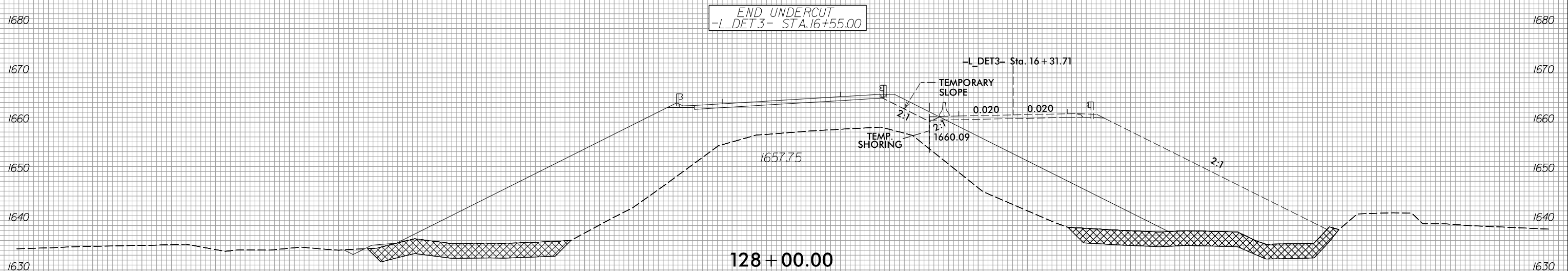
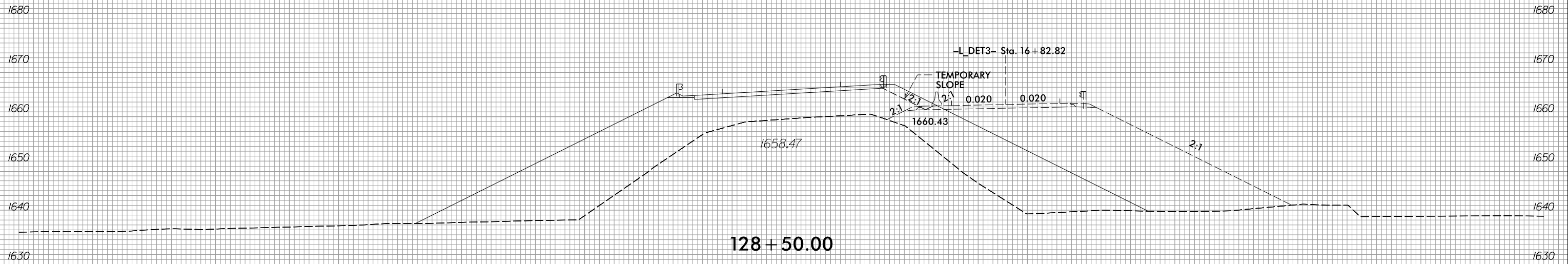


6/23/16



PROJ. REFERENCE NO.	SHEET NO.
R-5861	X-369

150 140 130 120 110 100 90 80 70 60 50 40 30 20 10 0 10 20 30 40 50 60 70 80 90 100 110 120 130 140 150



150 140 130 120 110 100 90 80 70 60 50 40 30 20 10 0 10 20 30 40 50 60 70 80 90 100 110 120 130 140 150

8/3/2023  
R:\Roadway\XSC\XPLs\RB661\_Rdy\_XPL\_LDET3.dgn  
jinson