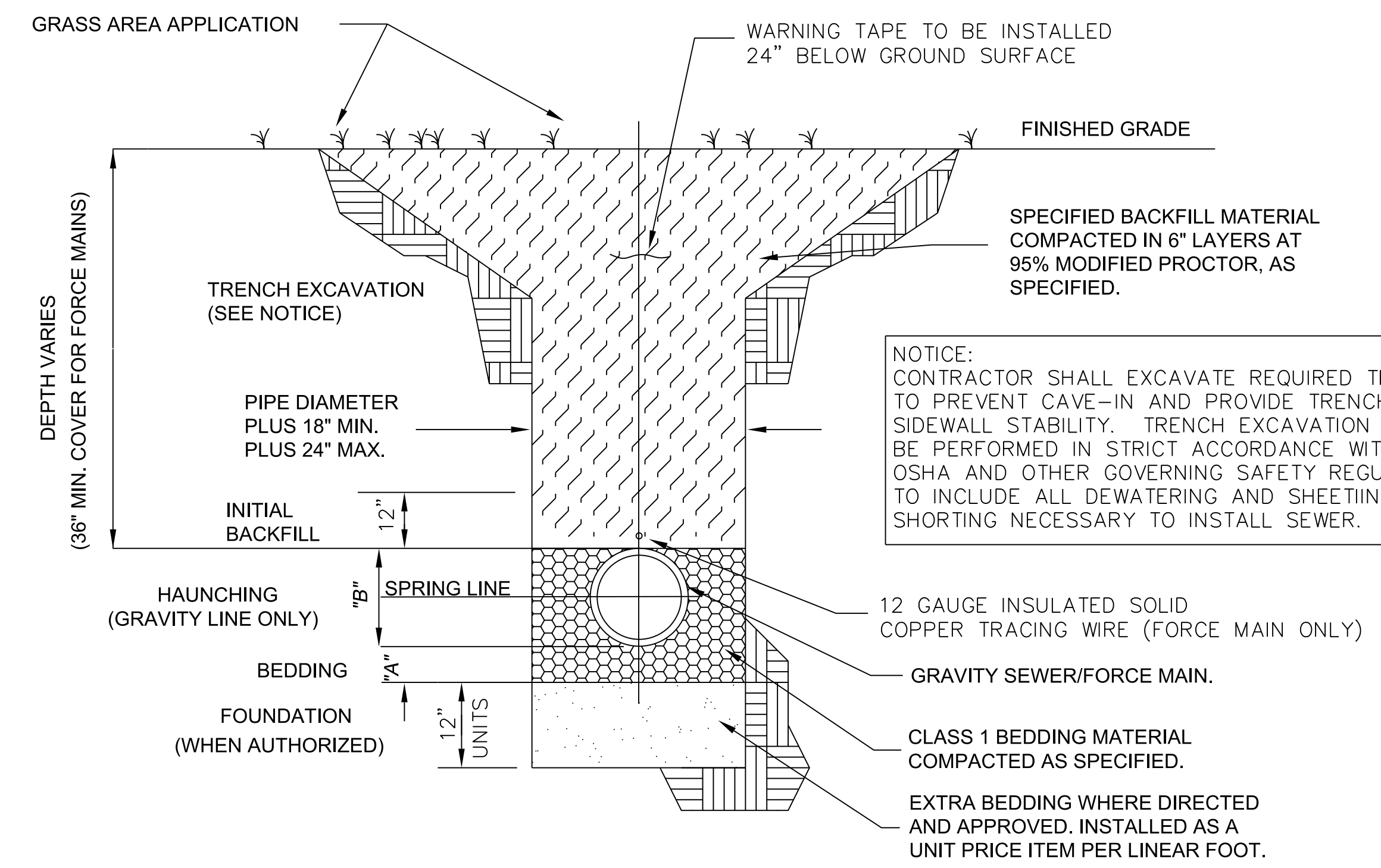


UTILITY CONSTRUCTION
DOCUMENT NOT CONSIDERED
FINAL UNLESS ALL
SIGNATURES COMPLETED

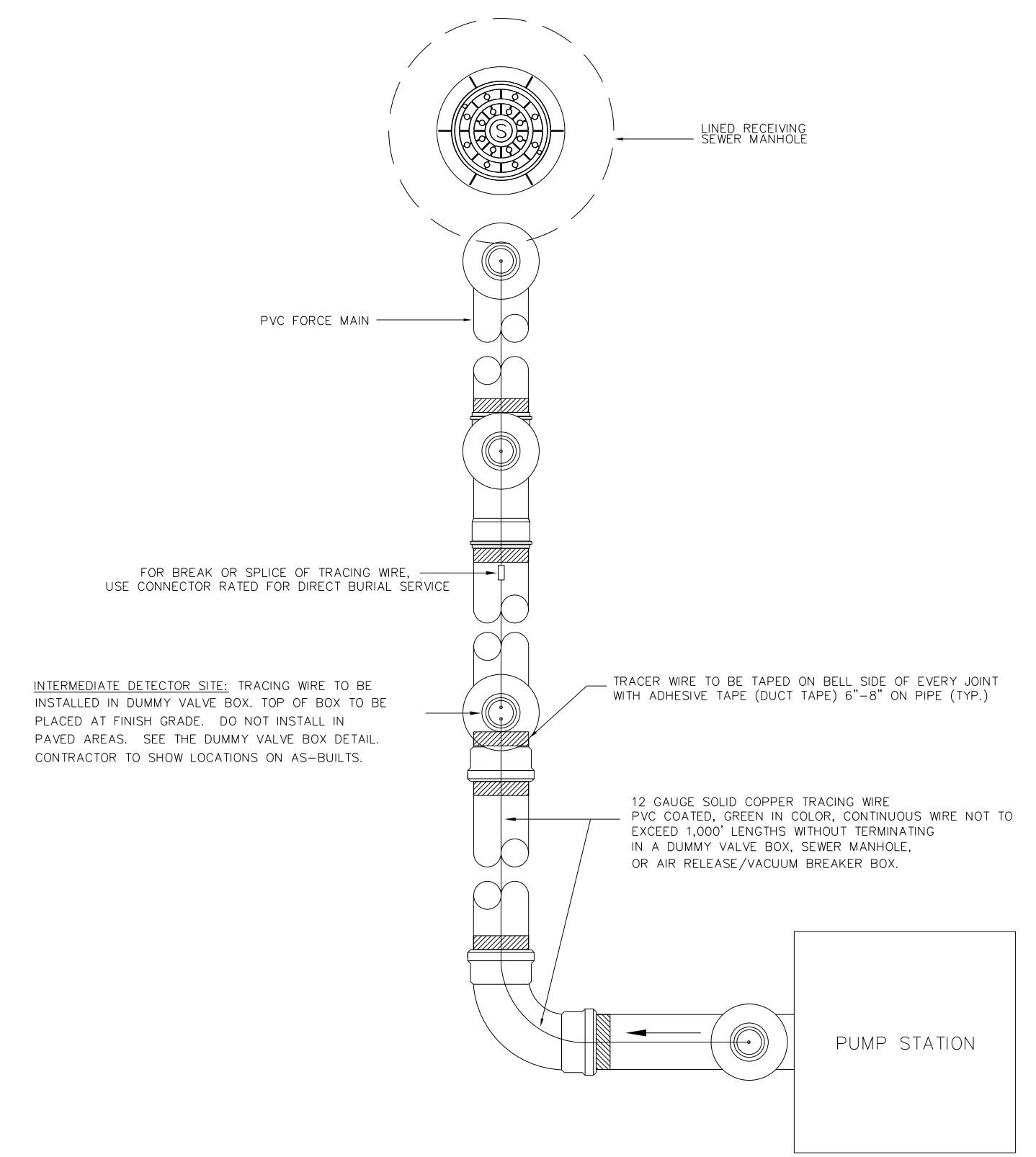


NOTICE:
CONTRACTOR SHALL EXCAVATE REQUIRED TRENCH TO PREVENT CAVE-IN AND PROVIDE TRENCH SIDEWALL STABILITY. TRENCH EXCAVATION SHALL BE PERFORMED IN STRICT ACCORDANCE WITH OSHA AND OTHER GOVERNING SAFETY REGULATIONS TO INCLUDE ALL DEWATERING AND SHEETING & SHORTING NECESSARY TO INSTALL SEWER.

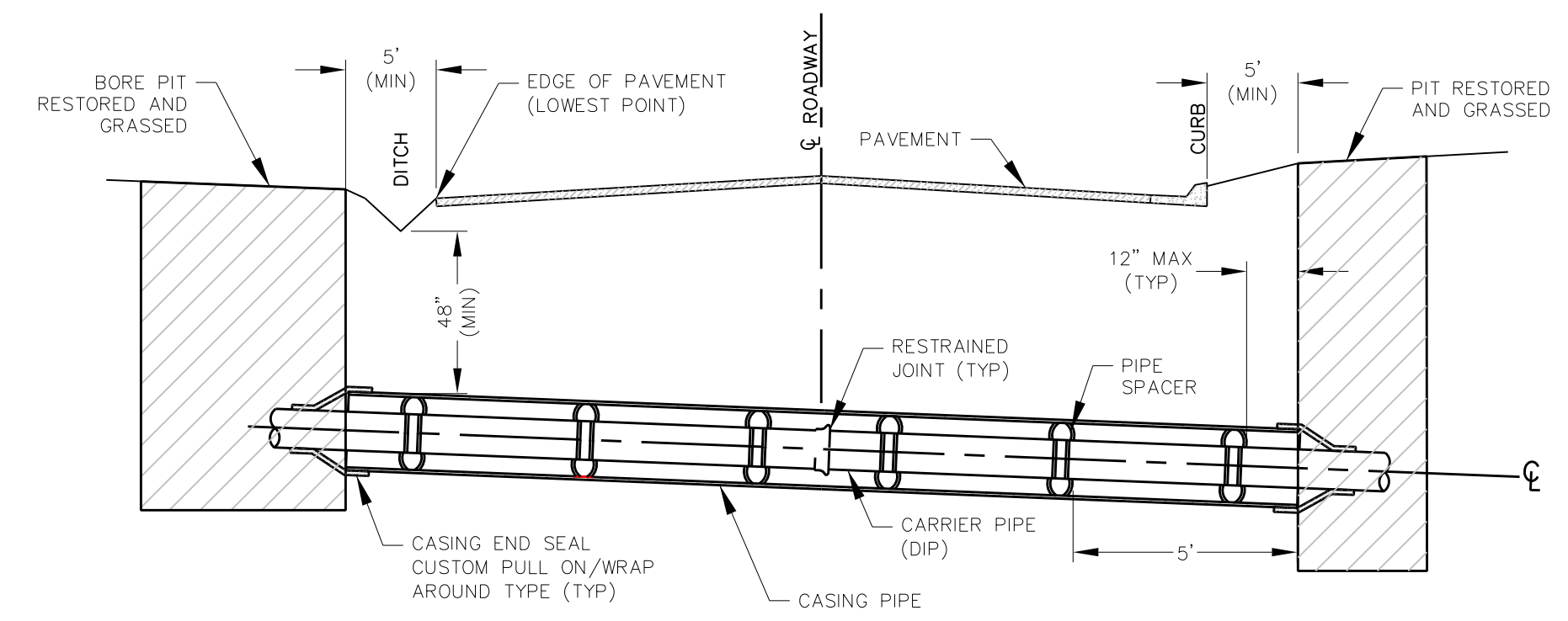
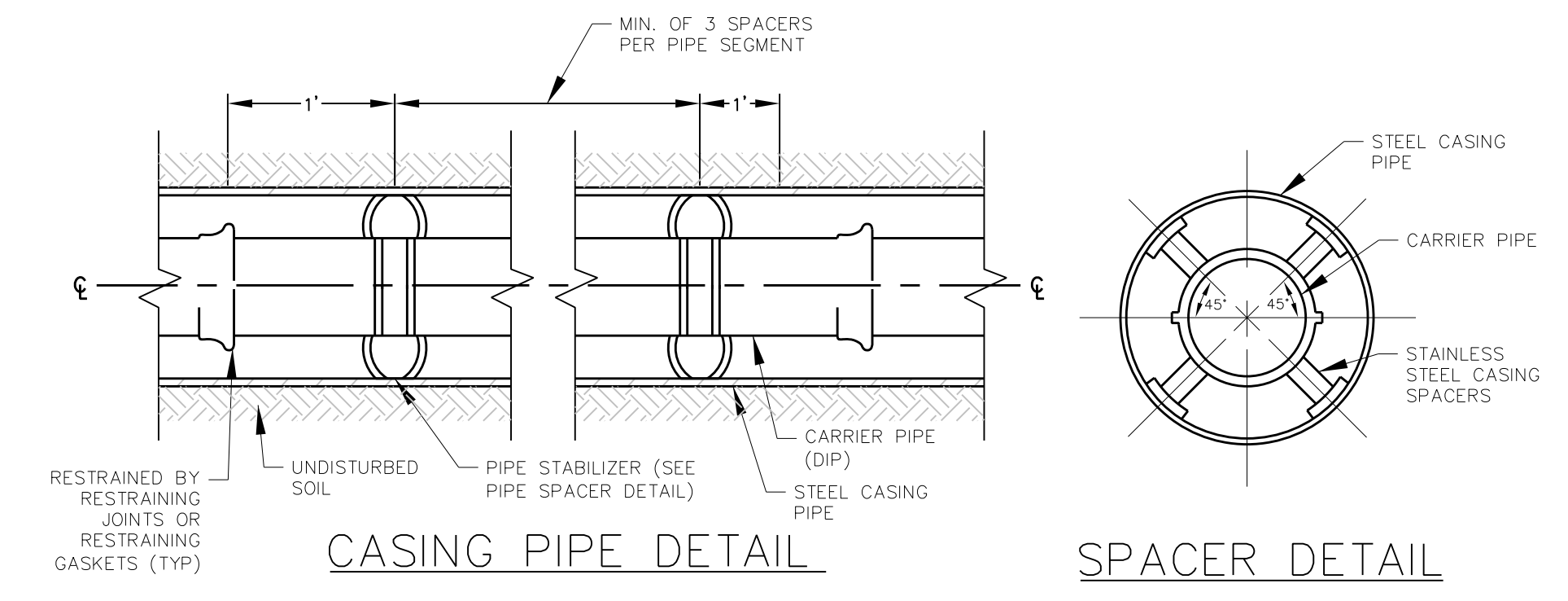
DEPTH SCHEDULE FOR HAUNCHING (GRAVITY LINE ONLY) AND BEDDING				
PIPE Ø	4"-10"	12"-18"	24"	36"
"A"	6"	8"	10"	12"
"B"	TO TOP OF PIPE		20"	27"

EMBEDMENT COMPACTION SHALL BE THE MINIMUM DENSITIES INDICATED IN TABLE 2 OF ASTM D2321-LR.

FORCE MAIN/GRAVITY LINE TRENCH DETAIL
SCALE: N.T.S



TRACING WIRE INSTALLATION DETAIL
NOT TO SCALE



BORE AND JACK AND CASING DETAIL
NOT TO SCALE

- NOTES:**
1. STEEL CASING LENGTH SHALL BE IN ACCORDANCE WITH NCDOT'S UTILITY ACCOMMODATIONS MANUAL AND THE SPECIFICATIONS.
 2. CASING PIPE AND CARRIER PIPE DIAMETERS SHALL BE IN ACCORDANCE WITH THE SPECIFICATIONS AND DRAWINGS.
 3. USE SPIDER SUPPORTS (SEE DETAIL) TO MOVE CARRIER PIPE INTO CASING PIPE. SPACING OF SPIDERS WILL BE DICTATED BY THE LENGTH OF CASING PIPE AND NUMBER OF JOINTS OF CARRIER PIPE.
 4. MINIMUM OF 3 SPACERS PER JOINT OF PIPE.

9/25/2023 R:\181603-R-5861\Design\Plans\R5861.ut.U3C_psh.dgn mcarey