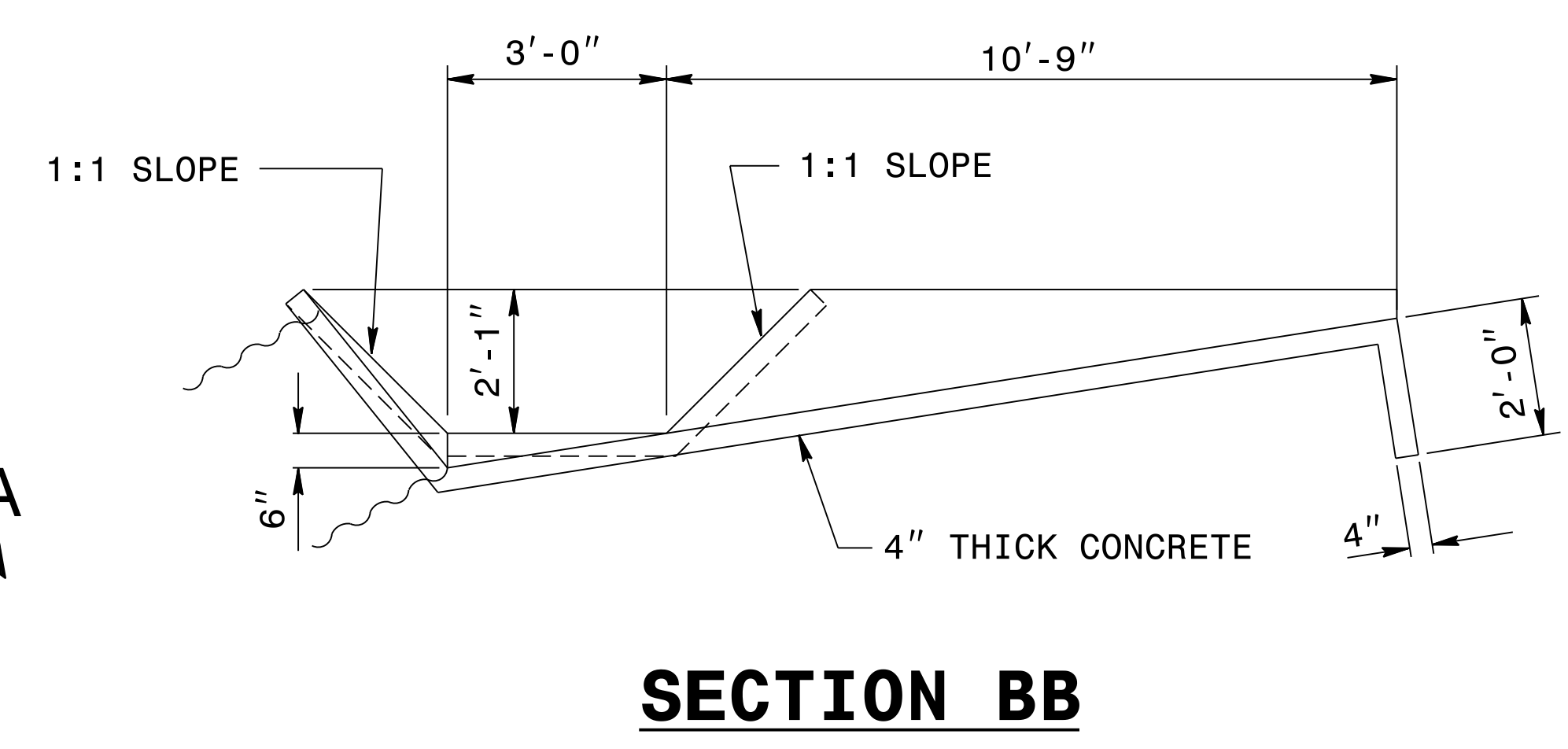
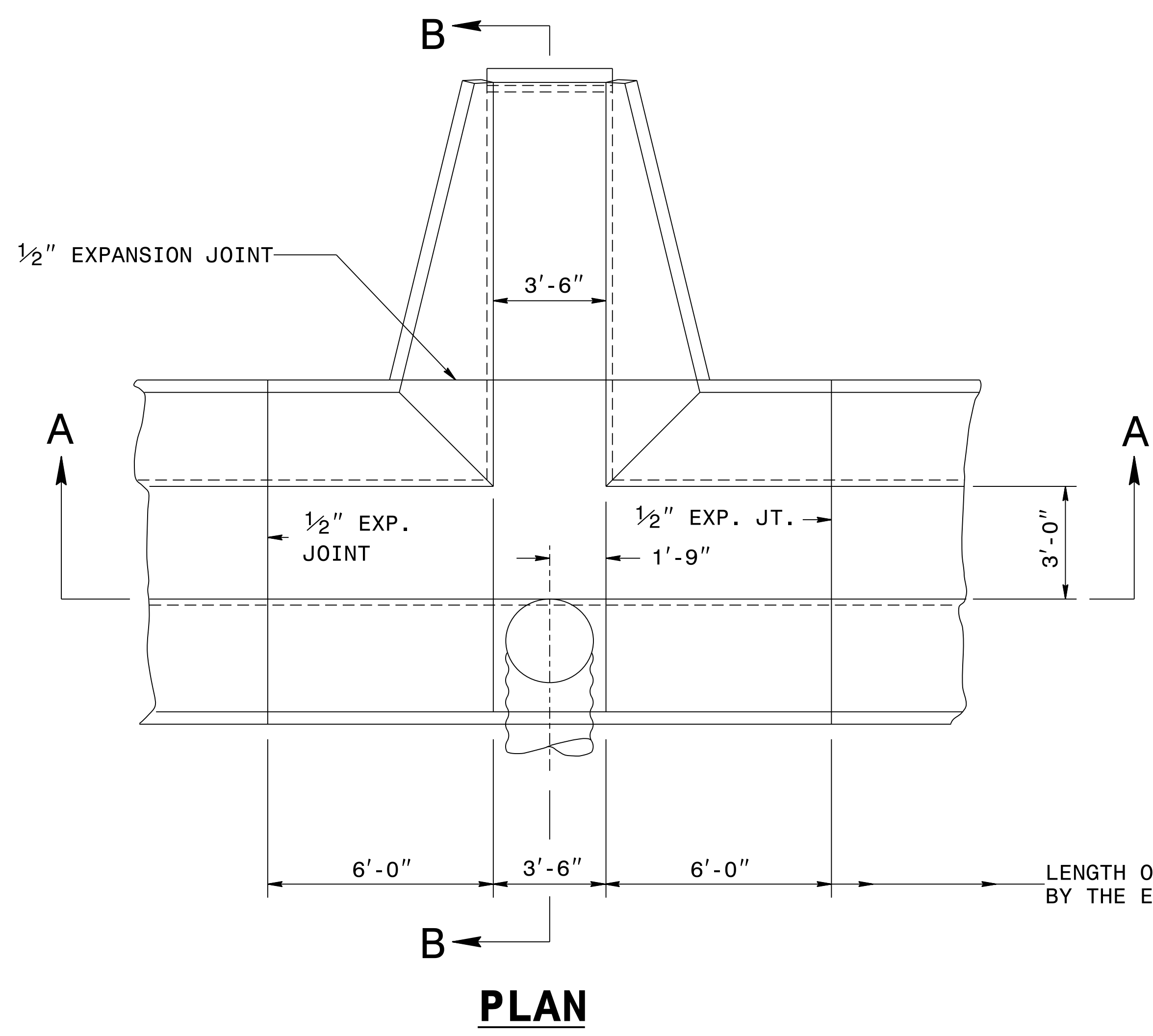


STATE OF
NORTH CAROLINA
DEPT. OF TRANSPORTATION
DIVISION OF HIGHWAYS
RALEIGH, N.C.

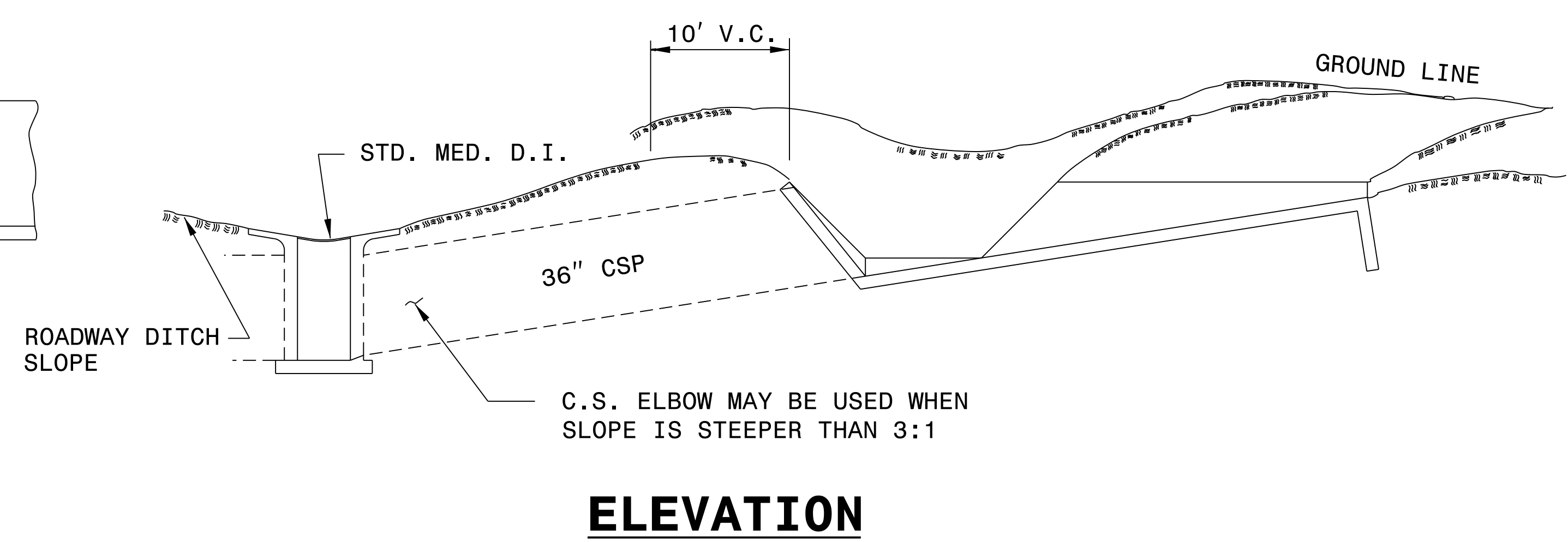
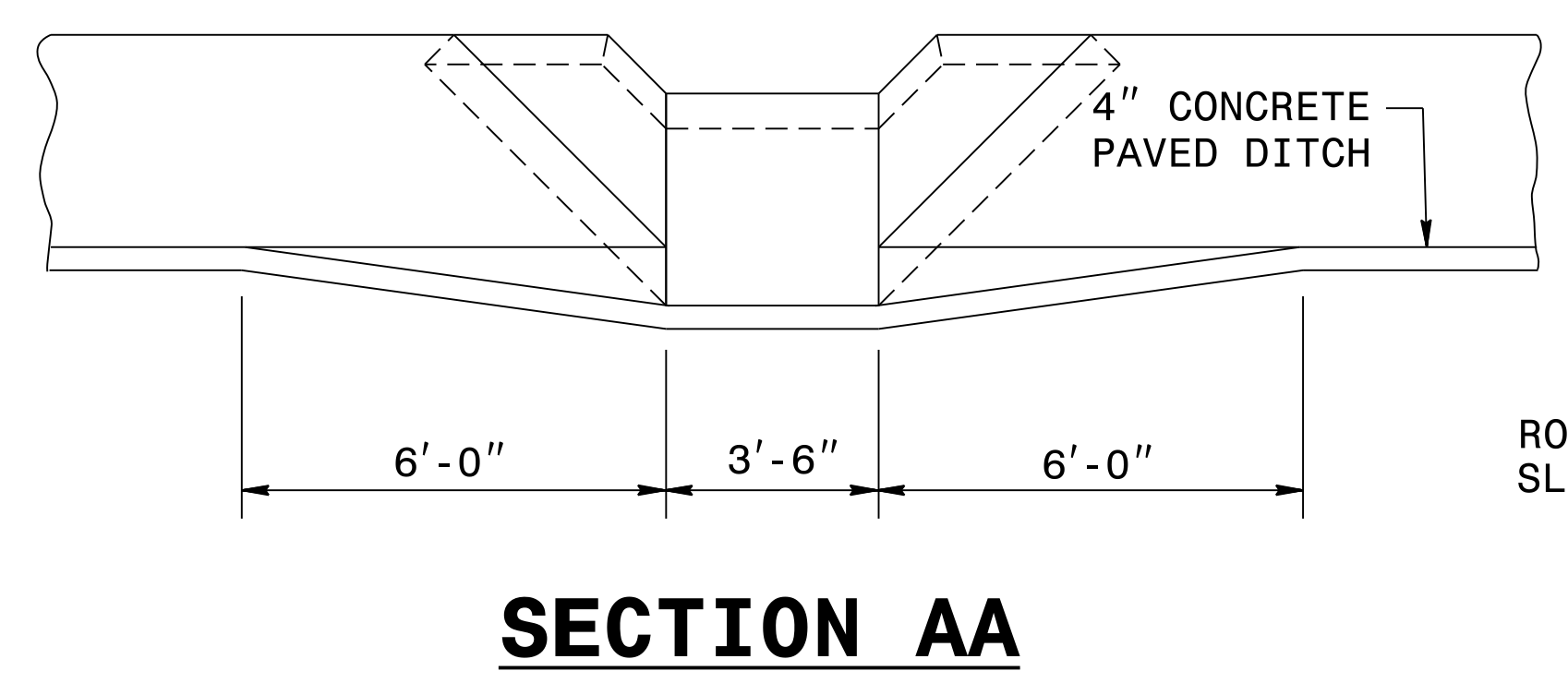
ENGLISH DETAIL DRAWING FOR
GUIDE FOR BERM DRAINAGE OUTLET
36" PIPE

STATE OF
NORTH CAROLINA
DEPT. OF TRANSPORTATION
DIVISION OF HIGHWAYS
RALEIGH, N.C.

ENGLISH DETAIL DRAWING FOR
GUIDE FOR BERM DRAINAGE OUTLET
36" PIPE



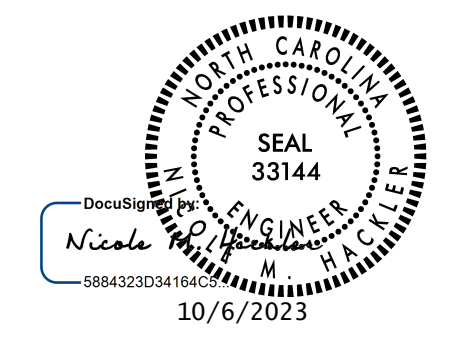
GENERAL NOTES:
WHERE NECESSARY, ELBOWS MAY BE USED TO SKEW PIPE TO FIT INLETS WHERE THERE IS OFFSET BETWEEN THE INLET END AT BERM AND THE D.I.



SHEET 1 OF 1
850D11

SHEET 1 OF 1
850D11

30-APR-2019 09:40
S:\Contracts\Contractors\Special Details\Vericard\usr\details\stand\850d11.dgn
J:\power\ton AT_CSD-2\850D11



CONTRACT STANDARDS AND DEVELOPMENT UNIT
Office 919-707-6950 FAX 919-250-4119

SEE PLATE FOR TITLE

ORIGINAL BY: 2002 STANDARDS DATE: 01-15-02
MODIFIED BY: E.E. WARD DATE: 10-26-04
CHECKED BY: DATE:
FILE SPEC.: usr/details/stand/850d01.dgn

DOCUMENT NOT CONSIDERED FINAL
UNLESS ALL SIGNATURES COMPLETED