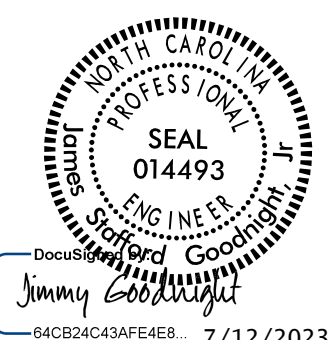

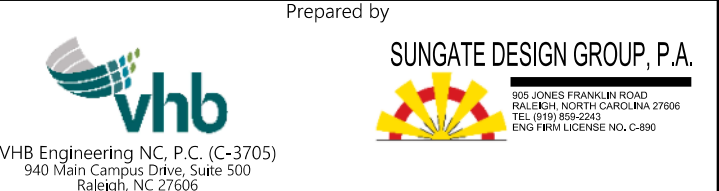


6/2/2023

PROJECT REFERENCE NO. U-5312	SHEET NO. 2A-2
ROADWAY DESIGN ENGINEER 	PAVEMENT DESIGN ENGINEER 

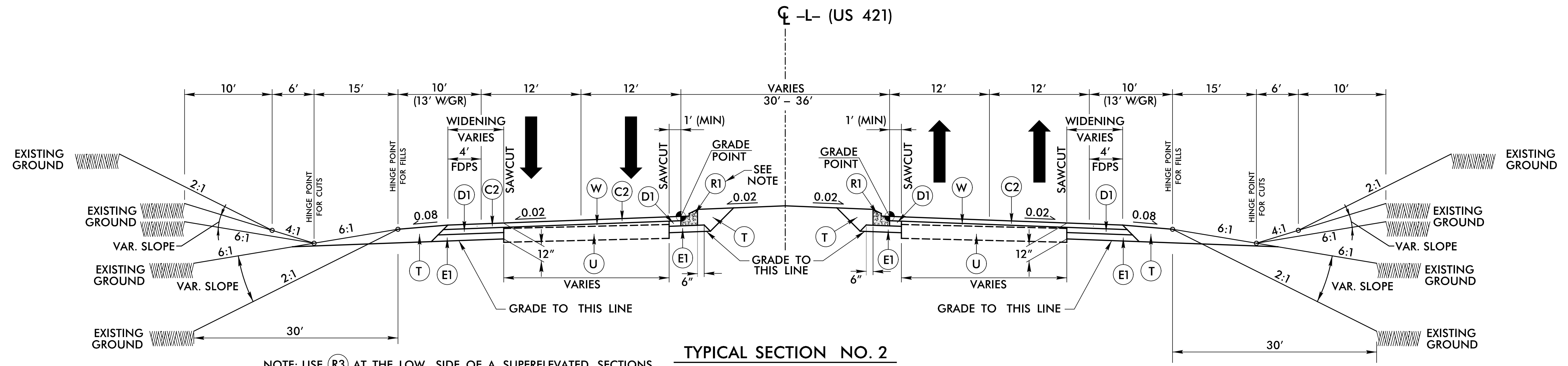
DOCUMENT NOT CONSIDERED FINAL UNLESS ALL SIGNATURES COMPLETED

Prepared by



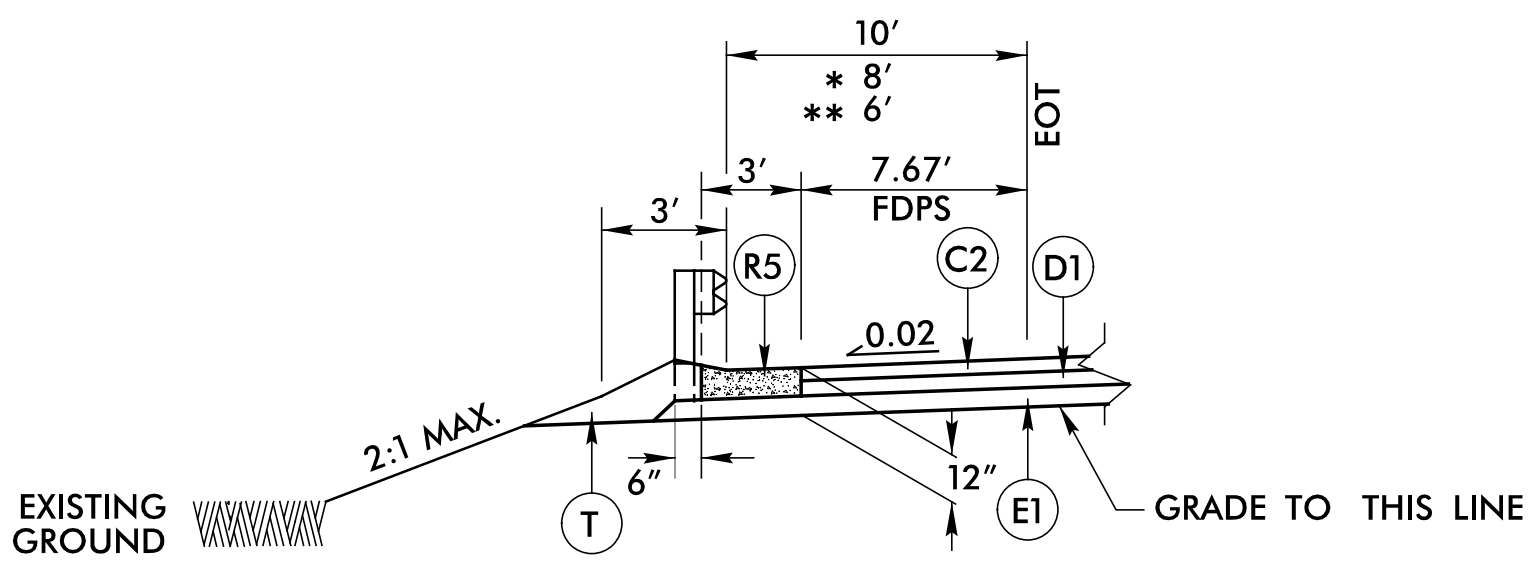
PAVEMENT SCHEDULE	
C2	3" S9.5C
D1	4" I19.0C
E1	5" B25.0C
R1	1'-6" C&G
R2	2'-6" C&G
R3	2'-9" C&G
R4	EXPRESSWAY GUTTER
R5	SHOULDER BERM GUTTER
S	4" CONC. SIDEWALK
T	EARTH MATERIAL
U	EXIST. PAVEMENT
W	WEDGING

NOTE: PAVEMENT EDGE SLOPES ARE 1:1 UNLESS SHOWN OTHERWISE

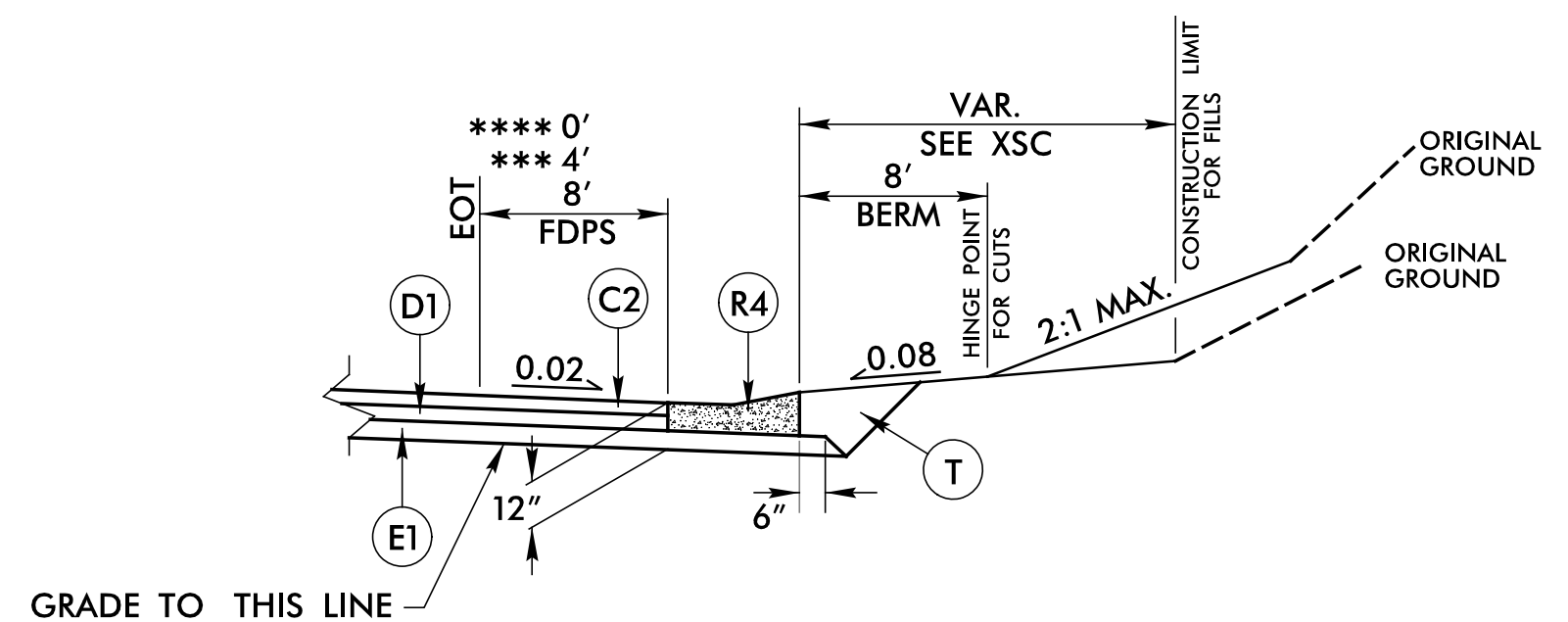


TYPICAL SECTION NO. 2
 -L- STA. 59+75.00 TO STA. 184+54.84
 -L- STA. 164+95.71 TO STA. 170+60.00
 -L- STA. 172+20.00 TO STA. 174+30.76
 -L- STA. 181+20.00 TO STA. 184+02.69

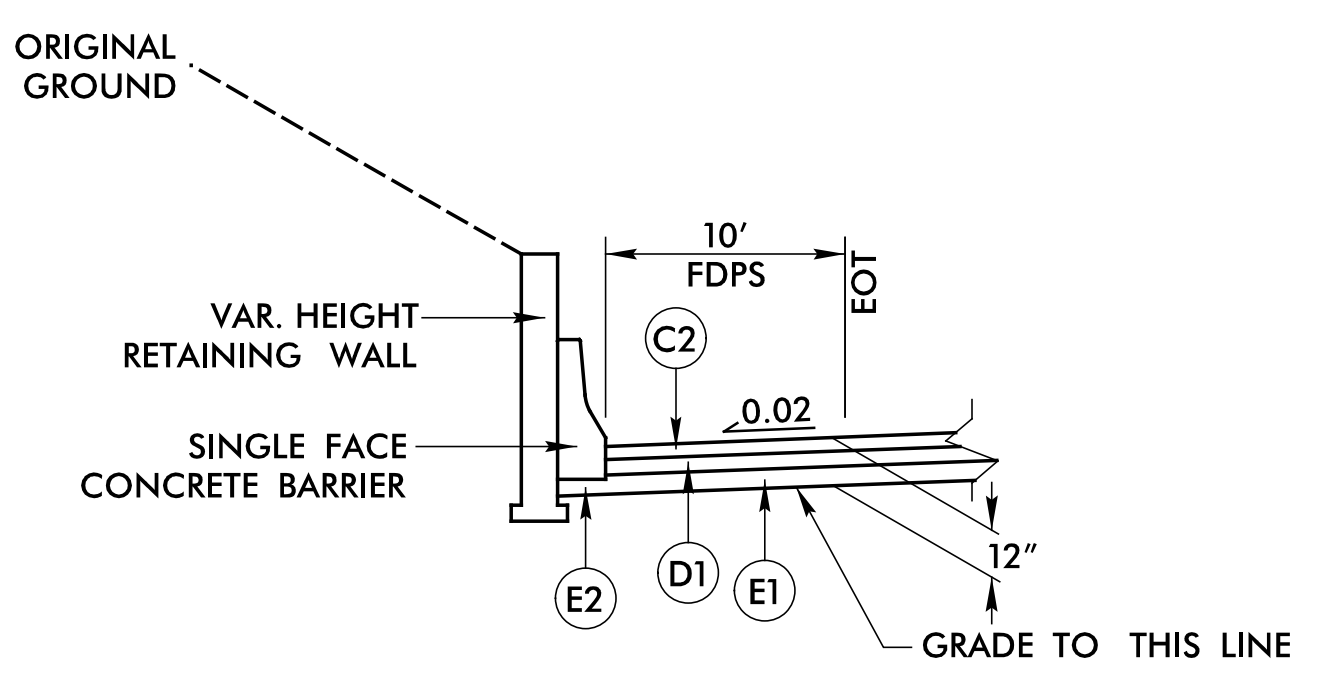
NOTE: SEE SHEETS 2B-1 & 2B-2 FOR SIDEWALK ALIGNMENT AND LOCATION



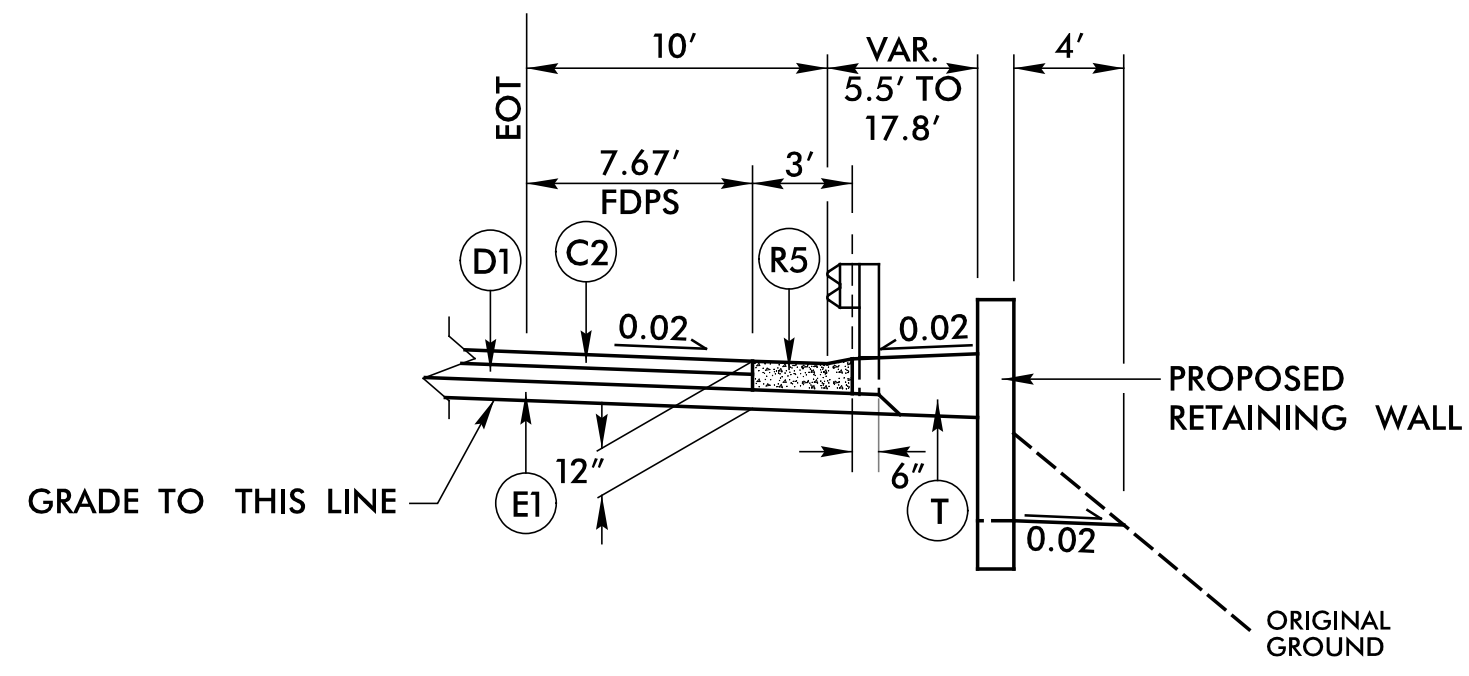
TYPICAL SECTION NO. 2A
 USE IN CONJUNCTION WITH TYPICAL SECTION NO. 2
 -L- STA. 62+00.00 TO STA. 64+50.00 LT
 -L- STA. 61+00.00 TO STA. 67+00.00 RT (MIRROR)
 * -L- STA. 88+00.00 TO STA. 88+91.47 LT
 -L- STA. 88+91.47 TO STA. 95+50.00 LT
 -L- STA. 95+30.70 TO STA. 97+65.00 RT (MIRROR)
 -L- STA. 108+50.00 TO STA. 109+37.07 RT (MIRROR)
 ** -L- STA. 109+50.00 TO STA. 111+50.00 LT
 * -L- STA. 109+37.07 TO STA. 111+50.00 RT (MIRROR)
 -L- STA. 177+00.88 TO STA. 184+54.84 RT (MIRROR)



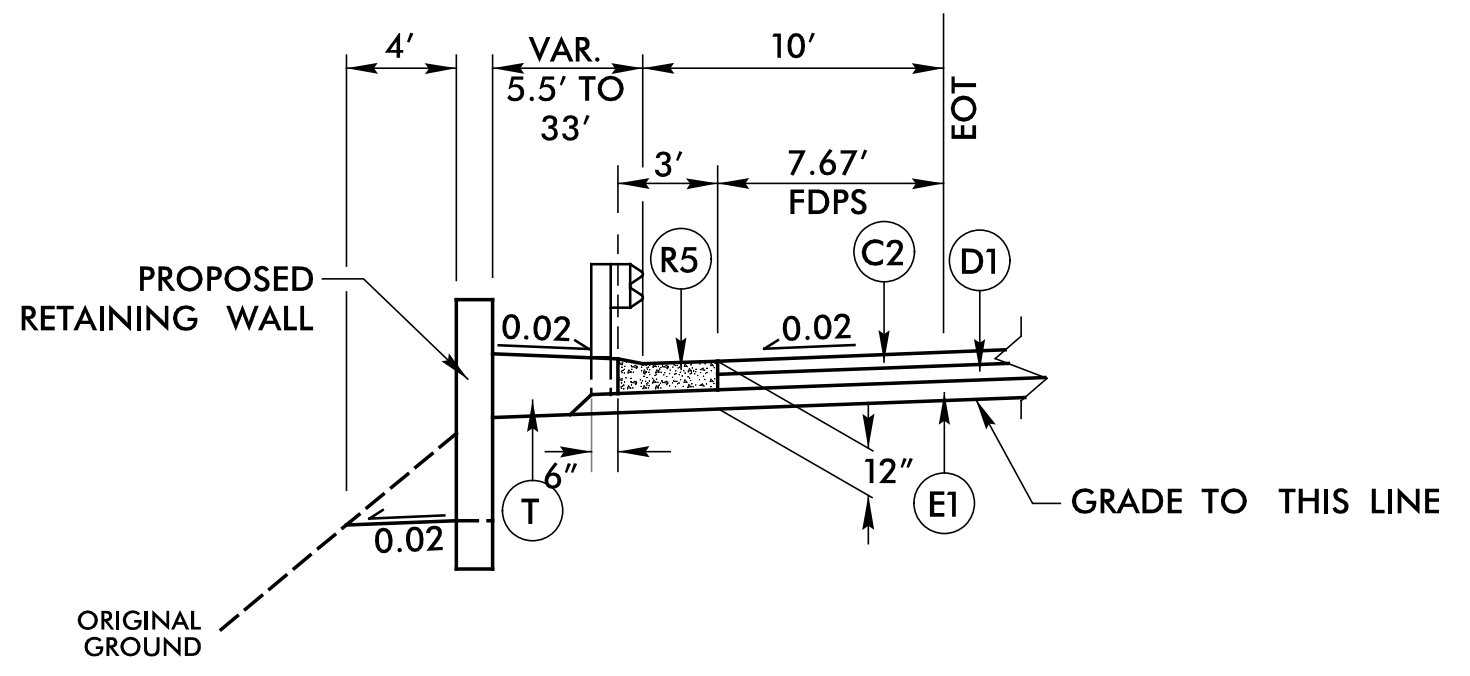
TYPICAL SECTION NO. 2B
 USE IN CONJUNCTION WITH TYPICAL SECTION NO. 2
 -L- STA. 82+50.00 TO STA. 88+98.22 RT
 *** -L- STA. 88+98.22 TO STA. 91+12.97 RT
 -L- STA. 91+12.97 TO STA. 93+81.00 RT
 **** -L- STA. 136+35.00 TO STA. 138+40.00 RT
 -L- STA. 171+09.00 TO STA. 176+22.00 RT



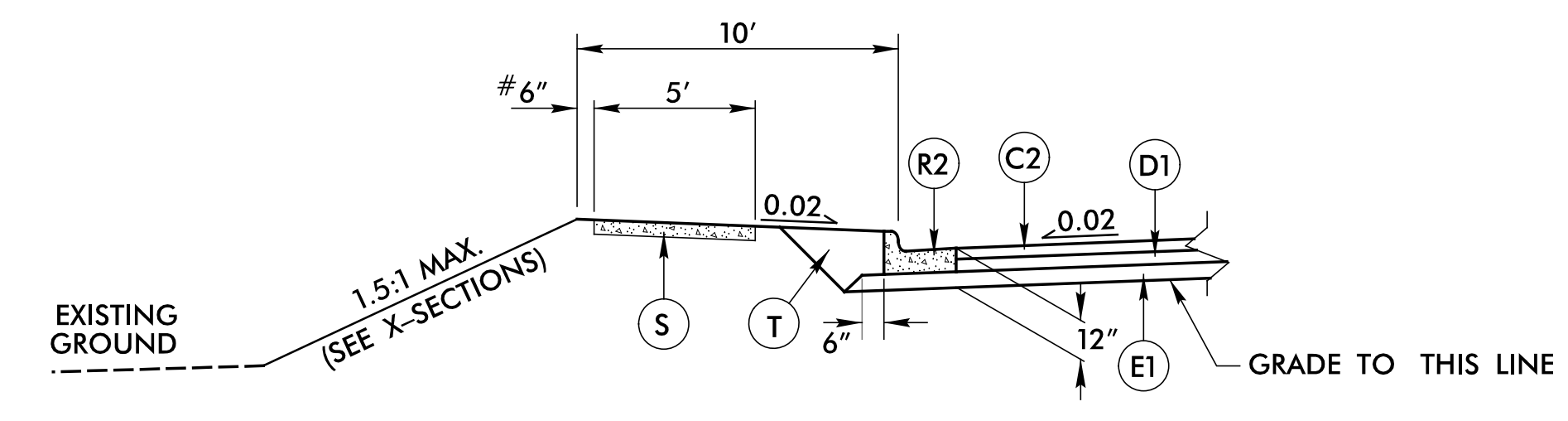
TYPICAL SECTION NO. 2C
 USE IN CONJUNCTION WITH TYPICAL SECTION NO. 2
 -L- STA. 100+00.00 TO STA. 107+50.00 LT



TYPICAL SECTION NO. 2D
 USE IN CONJUNCTION WITH TYPICAL SECTION NO. 2
 -L- STA. 95+50.00 TO STA. 97+70.00 RT



TYPICAL SECTION NO. 2E
 USE IN CONJUNCTION WITH TYPICAL SECTION NO. 2
 -L- STA. 91+50.00 TO STA. 95+00.00 LT



TYPICAL SECTION NO. 2F
 USE IN CONJUNCTION WITH TYPICAL SECTION NO. 2
 -L- STA. 163+87.13 TO STA. 176+42.77 LT
 # 1.5' - WITH 3-BAR HANDRAIL -L- STA. 170+00.00 TO STA. 172+20.00 LT (SEE SHEET 2C-1 FOR DETAIL)

6/2/2023
 R:\Projects\U5312\rdj_tjg.dgn
 11:04:11 AM