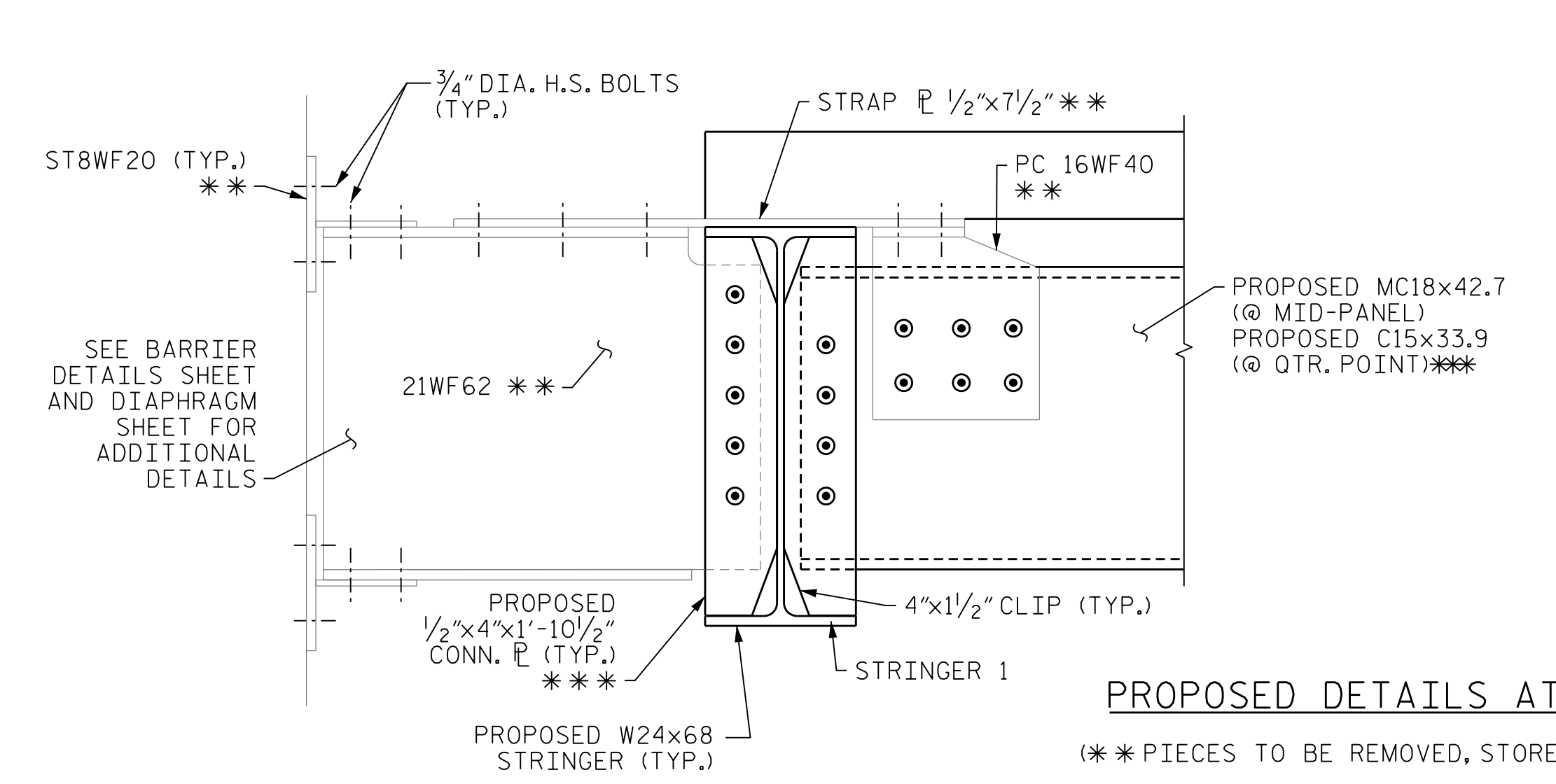
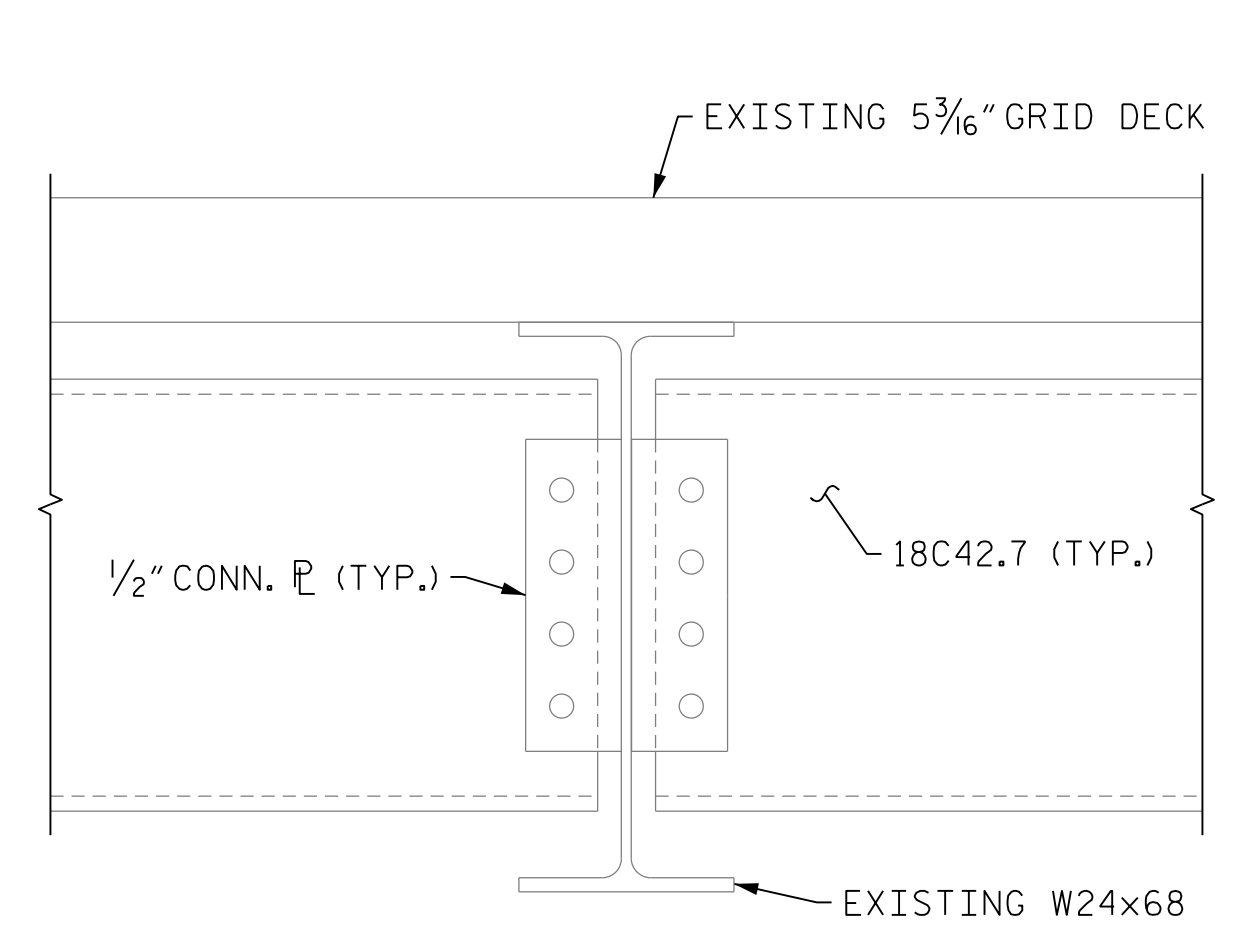
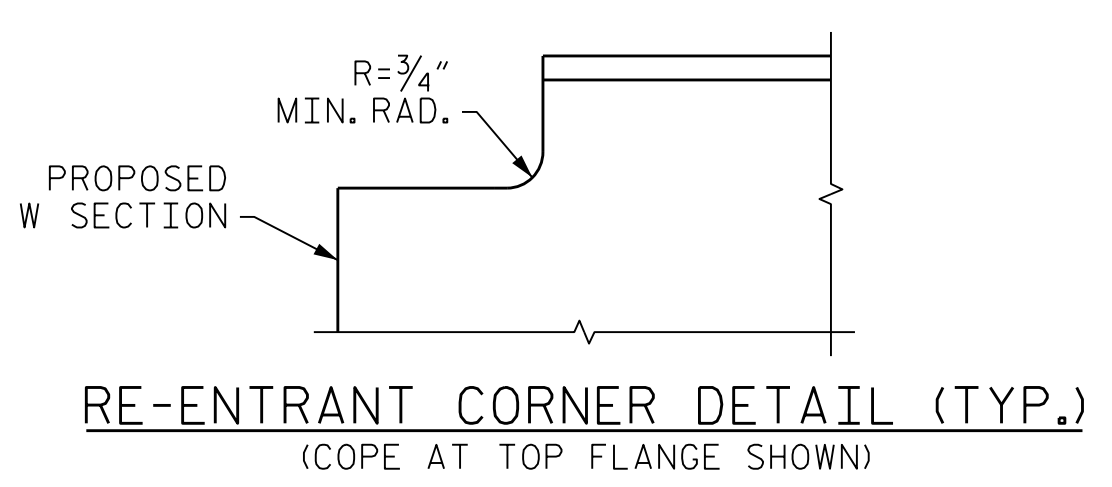
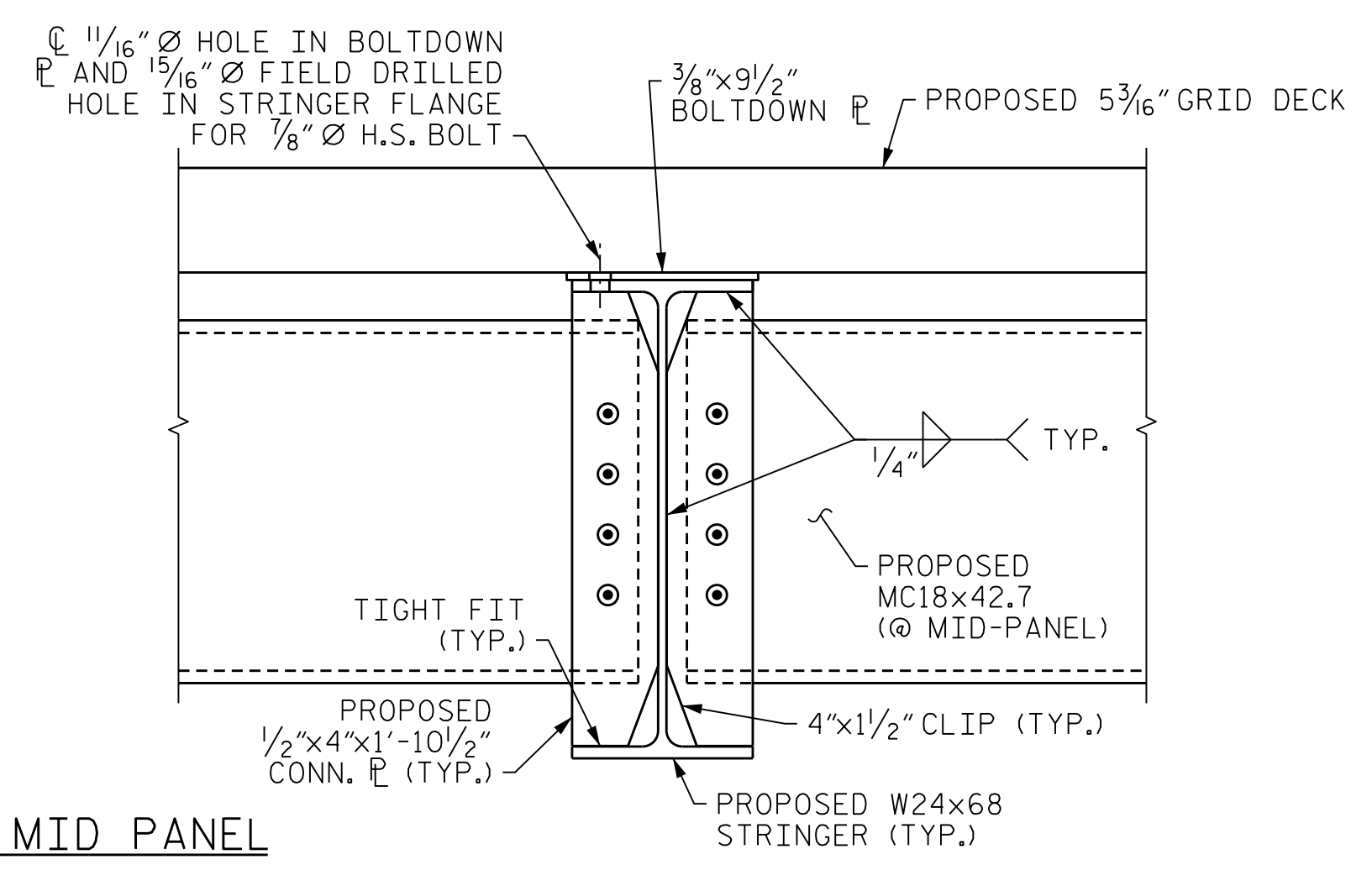


EXISTING DETAILS AT MID PANEL



PROPOSED DETAILS AT MID PANEL

(* **PIECES TO BE REMOVED, STORED, AND REINSTALLED)
 (** **FIELD VERIFY AND LOCATE STIFFENERS CONNECTING TO EXISTING CURB ATTACHMENTS.)



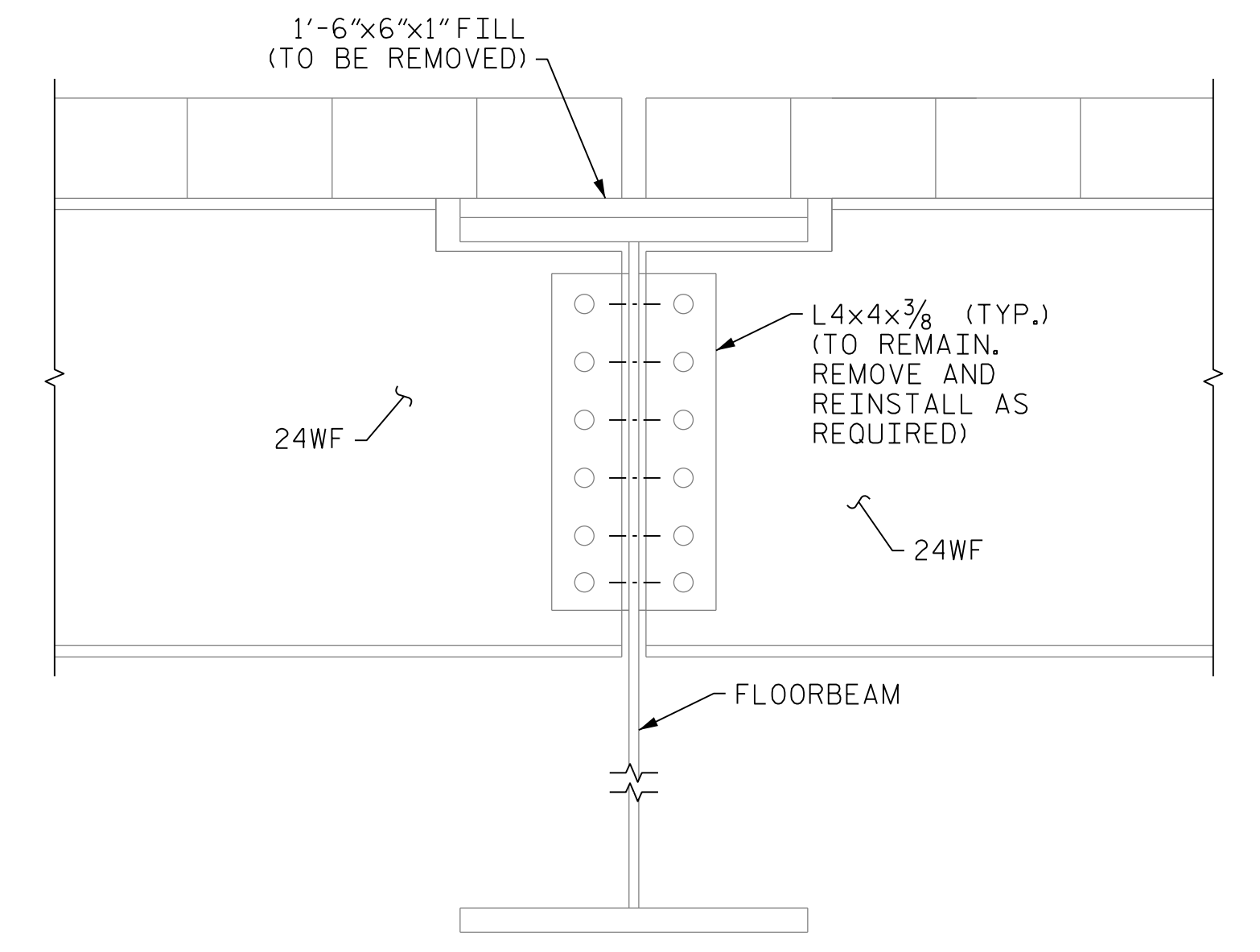
RE-ENTRANT CORNER DETAIL (TYP.)
 (COPE AT TOP FLANGE SHOWN)

BOLT LEGEND:

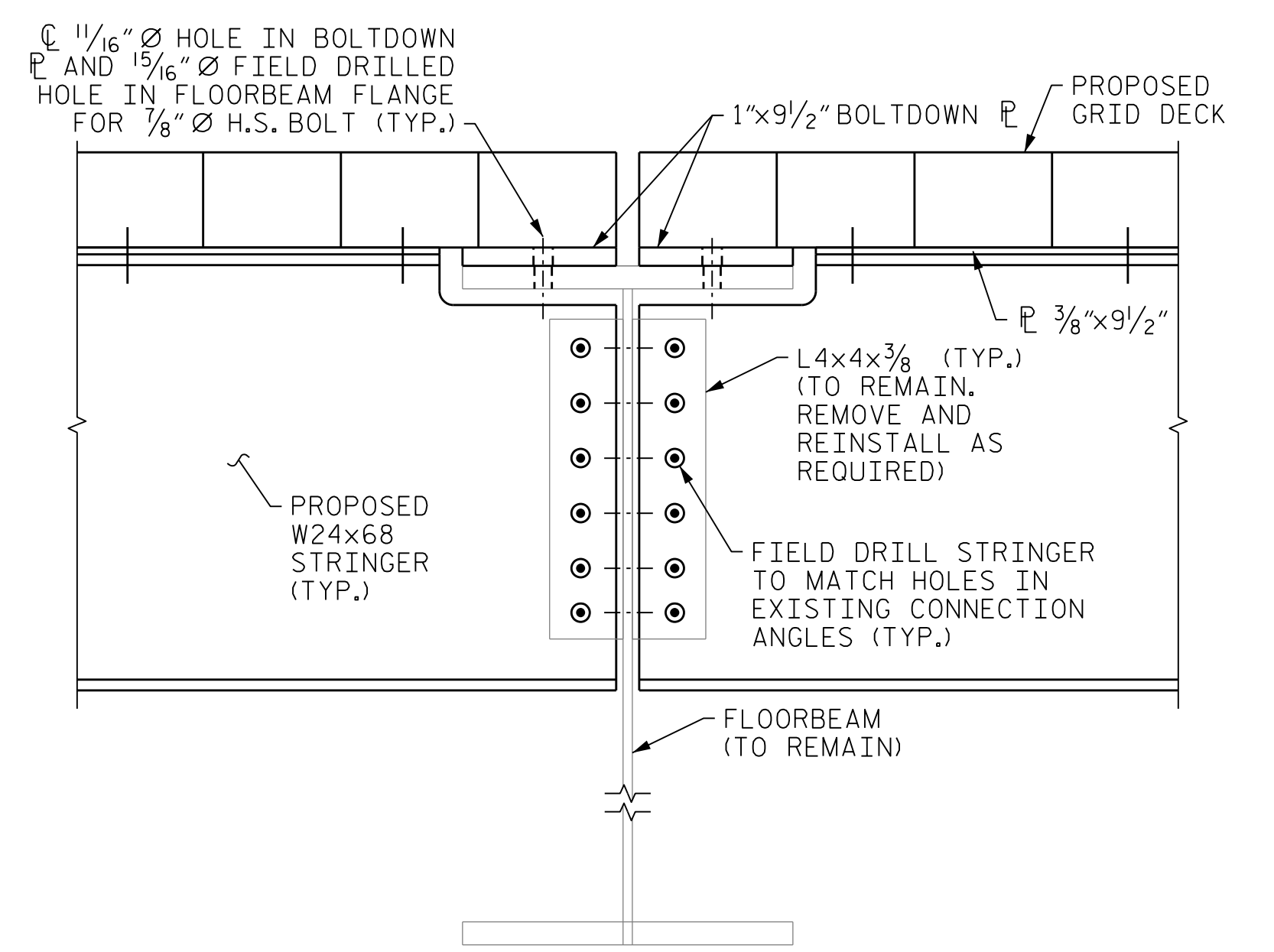
- EXISTING BOLT
- NEW BOLT IN EXISTING HOLE OR IN HOLE FIELD DRILLED TO MATCH EXISTING HOLE
- NEW BOLT IN NEW HOLE

NOTES:

ALL BOLTS ARE 7/8" DIAMETER ASTM F3125 GRADE A325, GALVANIZED HIGH STRENGTH BOLTS, EXCEPT AS NOTED.
 * FIELD VERIFY LOCATION OF EXISTING STRINGERS BEFORE SUBMITTING SHOP DRAWINGS.
 ANY BOLTS LOOSENED FROM ANY CONNECTION DURING CONSTRUCTION SHALL BE REPLACED WITH NEW BOLTS TIGHTENED IN ACCORDANCE WITH THE STANDARD SPECIFICATIONS.
 SEE OPEN GRID DECK DRAWINGS FOR STRINGER TO DECK AND FLOORBEAM TO DECK CONNECTION DETAILS.



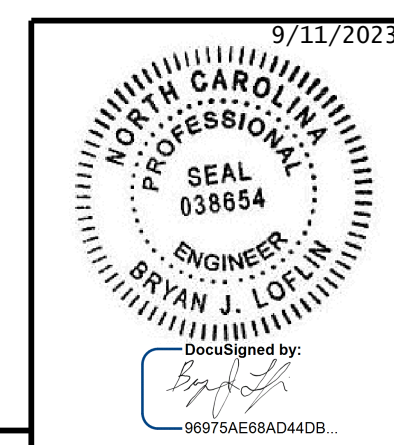
EXISTING SECTION AT INTERIOR FLOORBEAM



PROPOSED SECTION AT INTERIOR FLOORBEAM

9/11/2023 401.023.15BPR.102_SML_S501.12.dgn

DESIGNED BY:	C. CORMAN	DATE :	AUG 2023
DRAWN BY:	R. JOHNSON	DATE :	AUG 2023
CHECKED BY:	M. NIFONG	DATE :	AUG 2023
DESIGN ENGINEER OF RECORD:	B. LOFLIN	DATE :	SEP 2023



PROJECT NO. 15BPR.102.3
NEW HANOVER COUNTY
 BRIDGE NO. 640013

STATE OF NORTH CAROLINA DEPARTMENT OF TRANSPORTATION RALEIGH					
STRUCTURAL STEEL TYPICAL STRINGERS					
REVISIONS					
NO.	BY:	DATE:	NO.	BY:	DATE:
1			3		
2			4		
					SHEET NO. S-12
					TOTAL SHEETS 21

DOCUMENT NOT CONSIDERED FINAL UNLESS ALL SIGNATURES COMPLETED