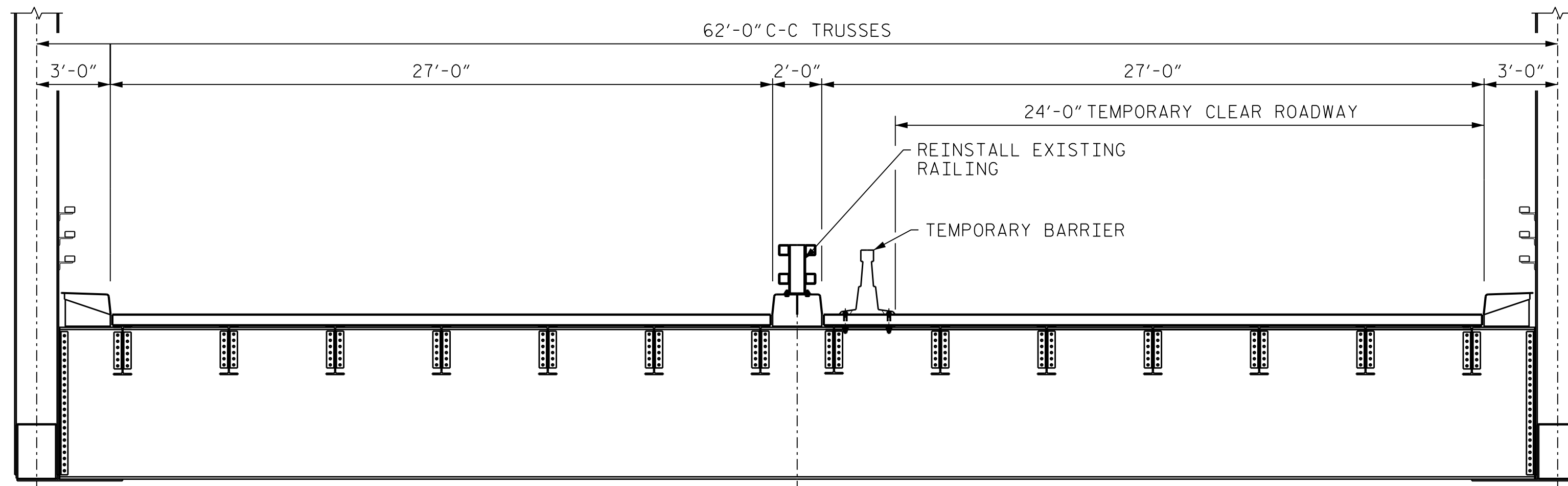


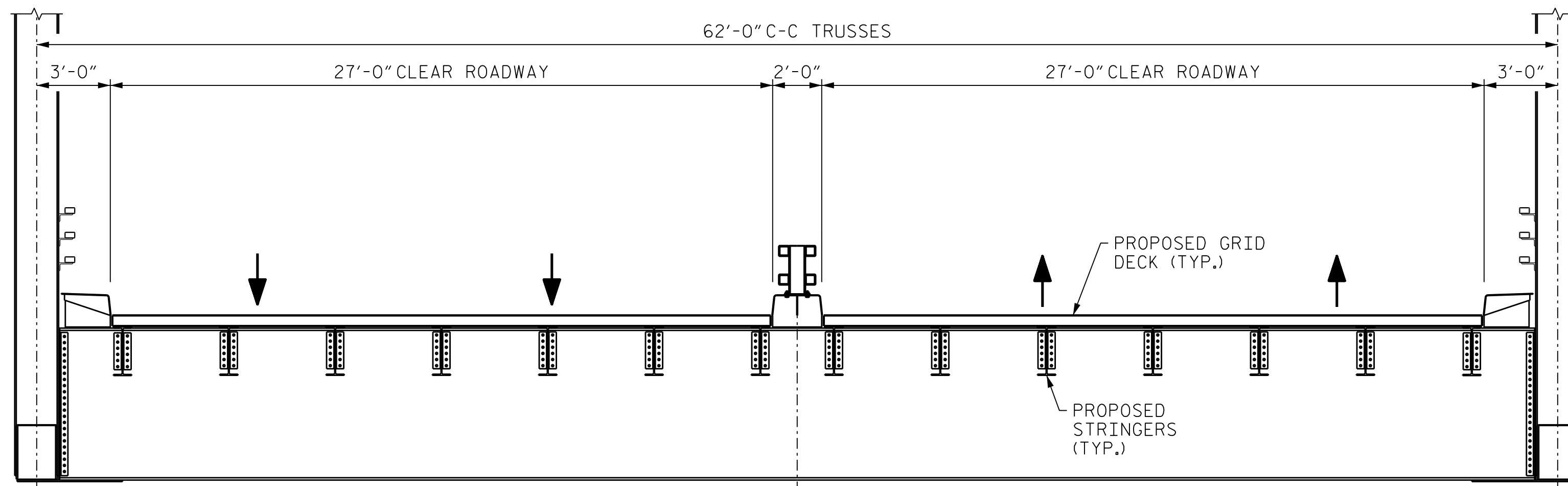
STAGE IV CONSTRUCTION

(PERFORM WESTBOUND WORK. REMOVE AND STORE WESTBOUND EXTERIOR RAILING, CURBS, AND RAILING SUPPORTS. REPLACE STRINGERS AND GRID DECK. REINSTALL EXTERIOR WESTBOUND RAILING, CURB, AND RAILING SUPPORTS)



STAGE V CONSTRUCTION

(REINSTALL EXISTING MEDIAN RAILING, CURBS, AND RAILING SUPPORT.)



STAGE VI CONSTRUCTION

(REMOVE TEMPORARY BARRIER.)

NOTES:

FOR TEMPORARY BARRIER ANCHOR DETAILS, SEE SHEET NO. S-5.
REFER TO TRAFFIC MANAGEMENT PLANS FOR TRAFFIC PHASING AND WORK ZONE INFORMATION.

PROJECT NO. 15BPR.102.3
NEW HANOVER COUNTY
BRIDGE NO. 640013

SHEET 2 OF 2

STATE OF NORTH CAROLINA
DEPARTMENT OF TRANSPORTATION
RALEIGH

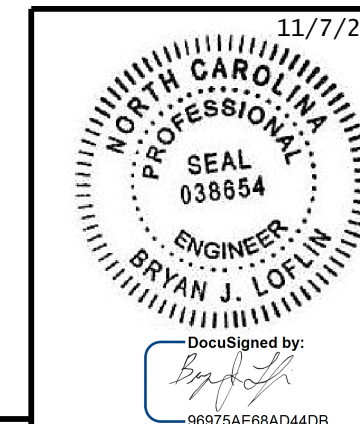
**LIFT SPAN
CONSTRUCTION
SEQUENCE**

REVISIONS						SHEET NO.
NO.	BY:	DATE:	NO.	BY:	DATE:	TOTAL SHEETS
1			3			21
2			4			



333 FAYETTEVILLE STREET, SUITE 500
RALEIGH, NC 27601
NC LICENSE NO. C-2979

**DOCUMENT NOT CONSIDERED FINAL
UNLESS ALL SIGNATURES COMPLETED**



11/6/2023 401_011_15BPR.102_SML_CS2_6.dgn

DESIGNED BY:	M. NIFONG	DATE :	JUL 2023
DRAWN BY:	R. JOHNSON	DATE :	JUL 2023
CHECKED BY:	B. LOFLIN	DATE :	AUG 2023
DESIGN ENGINEER OF RECORD:	B. LOFLIN	DATE :	SEP 2023