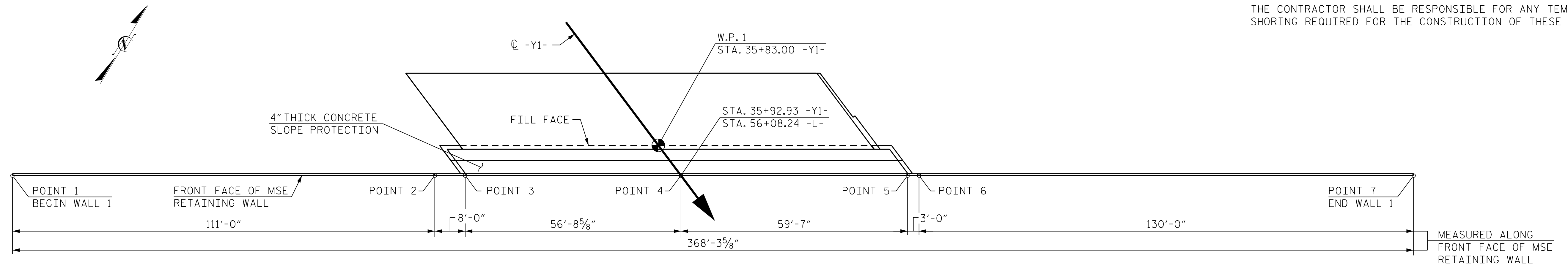


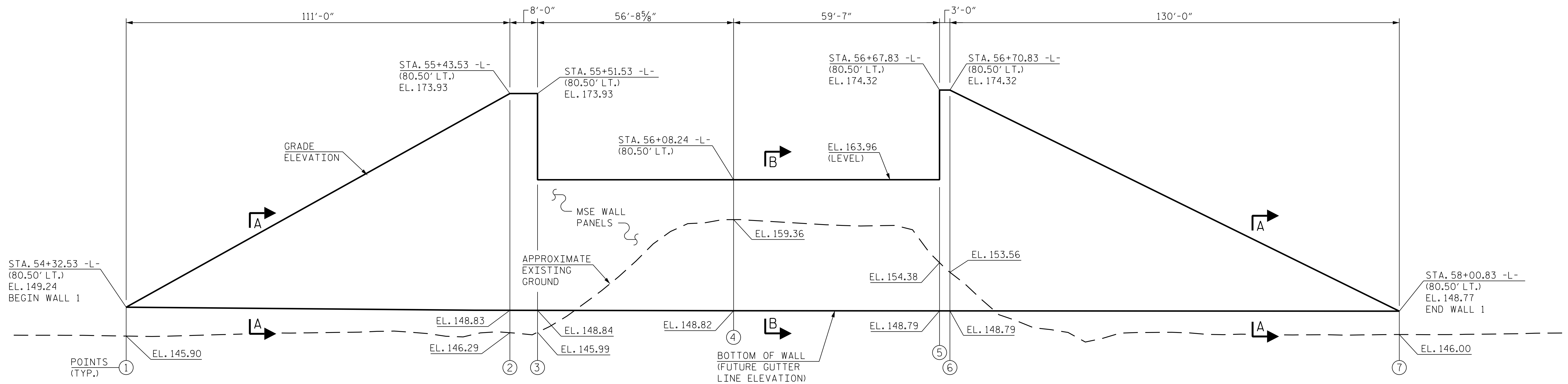
NOTES:

FOR SECTIONS AND NOTES, SEE SHEETS 3 THRU 5.

THE CONTRACTOR SHALL BE RESPONSIBLE FOR ANY TEMPORARY SHORING REQUIRED FOR THE CONSTRUCTION OF THESE MSE WALLS.



PLAN



ELEVATION

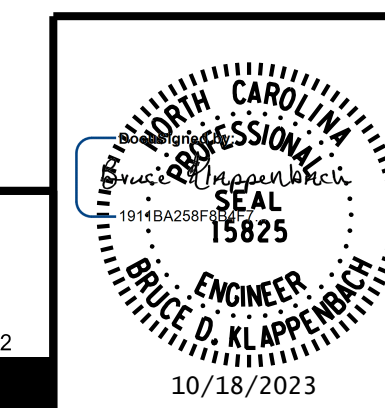
MSE WALL QUANTITY	
MSE WALL NO. 1	5,933 SF
ARCHITECTURAL CONCRETE SURFACE TREATMENT	5,933 SF

PROJECT NO. I-5972
JOHNSTON COUNTY
 STATION: 36+93.50 -Y1-

SHEET 1 OF 5

STATE OF NORTH CAROLINA
 DEPARTMENT OF TRANSPORTATION
 RALEIGH

**MSE RETAINING WALL
 PLAN AND WALL ENVELOPE
 AT END BENT 1**



Responsive People | Creative Solutions

REVISIONS						SHEET NO.
NO.	BY:	DATE:	NO.	BY:	DATE:	W-1
1			3			TOTAL SHEETS
2			4			5

DRAWN BY : B. A. HAAG DATE : JUN 2021
 CHECKED BY : B. D. KLAPPENBACH DATE : JUN 2021
 DESIGN ENGINEER OF RECORD : B. D. KLAPPENBACH DATE : JUN 2021

**DOCUMENT NOT CONSIDERED FINAL
 UNLESS ALL SIGNATURES COMPLETED**

bklappenbach 10/18/2023 R:\Structures\DN\MSE Walls\FINAL\I5972_SMU_MSE1_500066.dgn