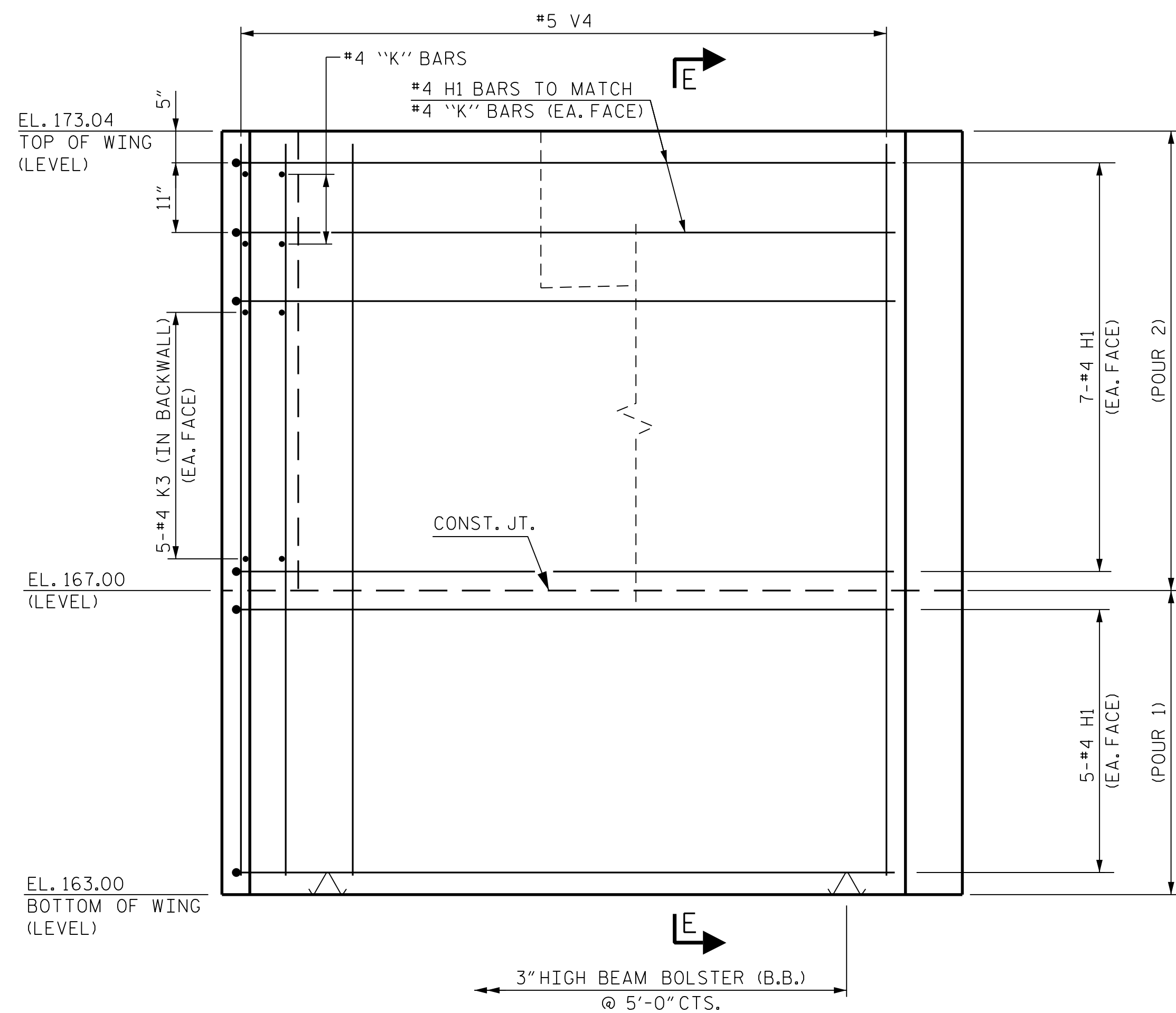
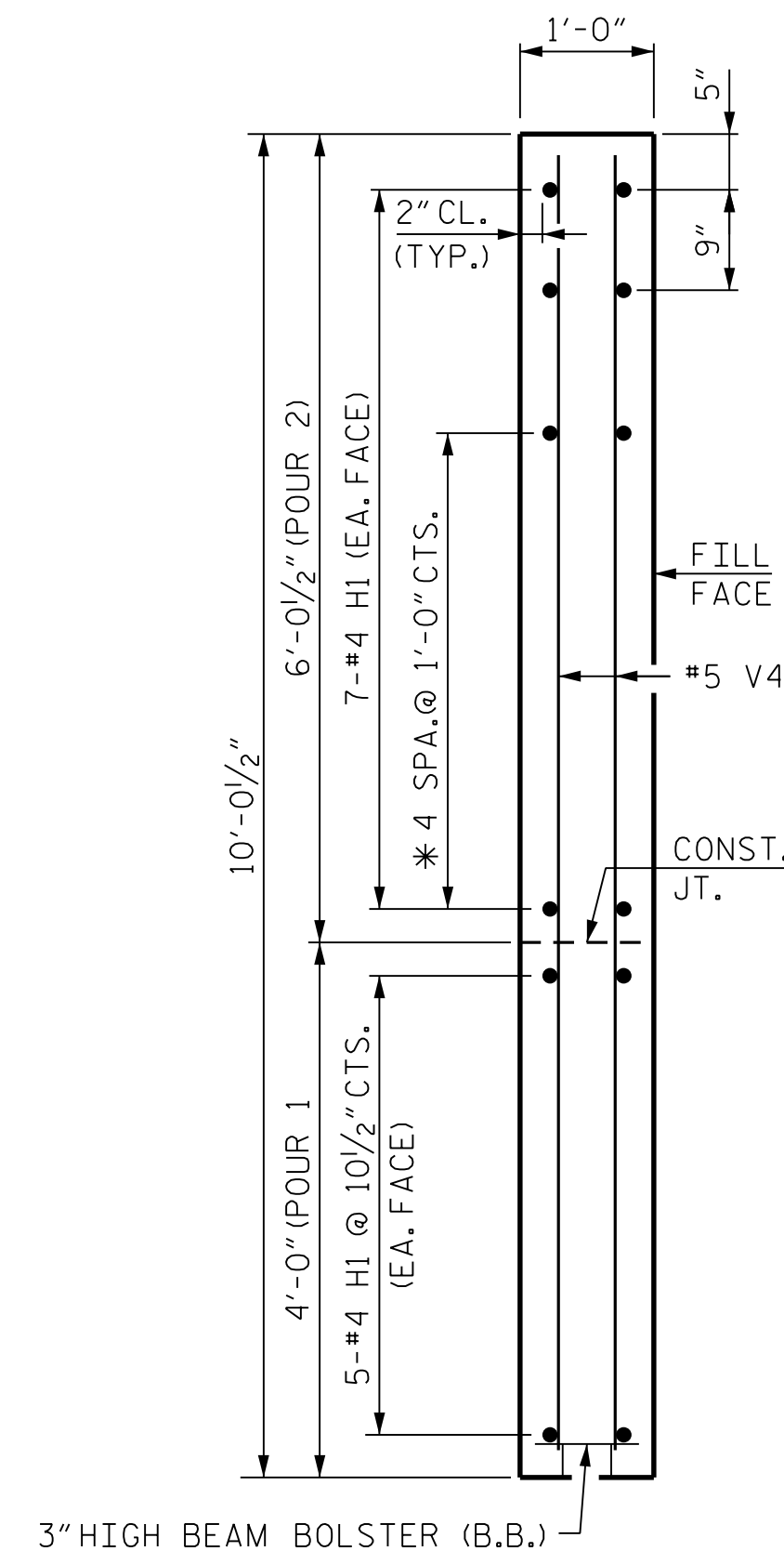


PLAN OF LEFT WINGWALL



ELEVATION OF LEFT WINGWALL  
LEFT WINGWALL DETAILS

W1



SECTION E-E

\* MATCH TO K3 BARS IN BACKWALL

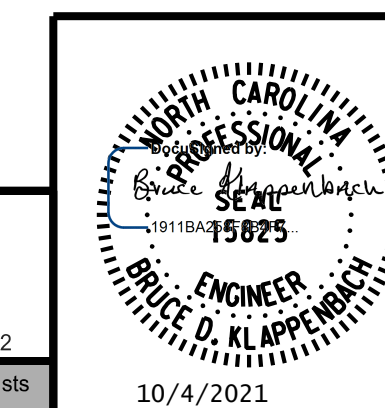
PROJECT NO. I-5972  
JOHNSTON COUNTY  
STATION: 36+93.50 -Y1-

SHEET 2 OF 3

STATE OF NORTH CAROLINA  
DEPARTMENT OF TRANSPORTATION  
RALEIGH

SUBSTRUCTURE  
END BENT 2  
WINGWALL DETAILS  
STAGE 2

**RK&K**  
P: (919) 878-9560  
8601 Six Forks Road, Forum 1 Suite 700  
Raleigh, North Carolina 27615 | NC License No. F-0112  
Engineers | Construction Managers | Planners | Scientists  
www.rk.com  
Responsive People | Creative Solutions



10/4/2021

REVISIONS

NO.	BY:	DATE:	NO.	BY:	DATE:
1			3		
2			4		

SHEET NO.  
S-49  
TOTAL SHEETS  
54

DOCUMENT NOT CONSIDERED FINAL  
UNLESS ALL SIGNATURES COMPLETED