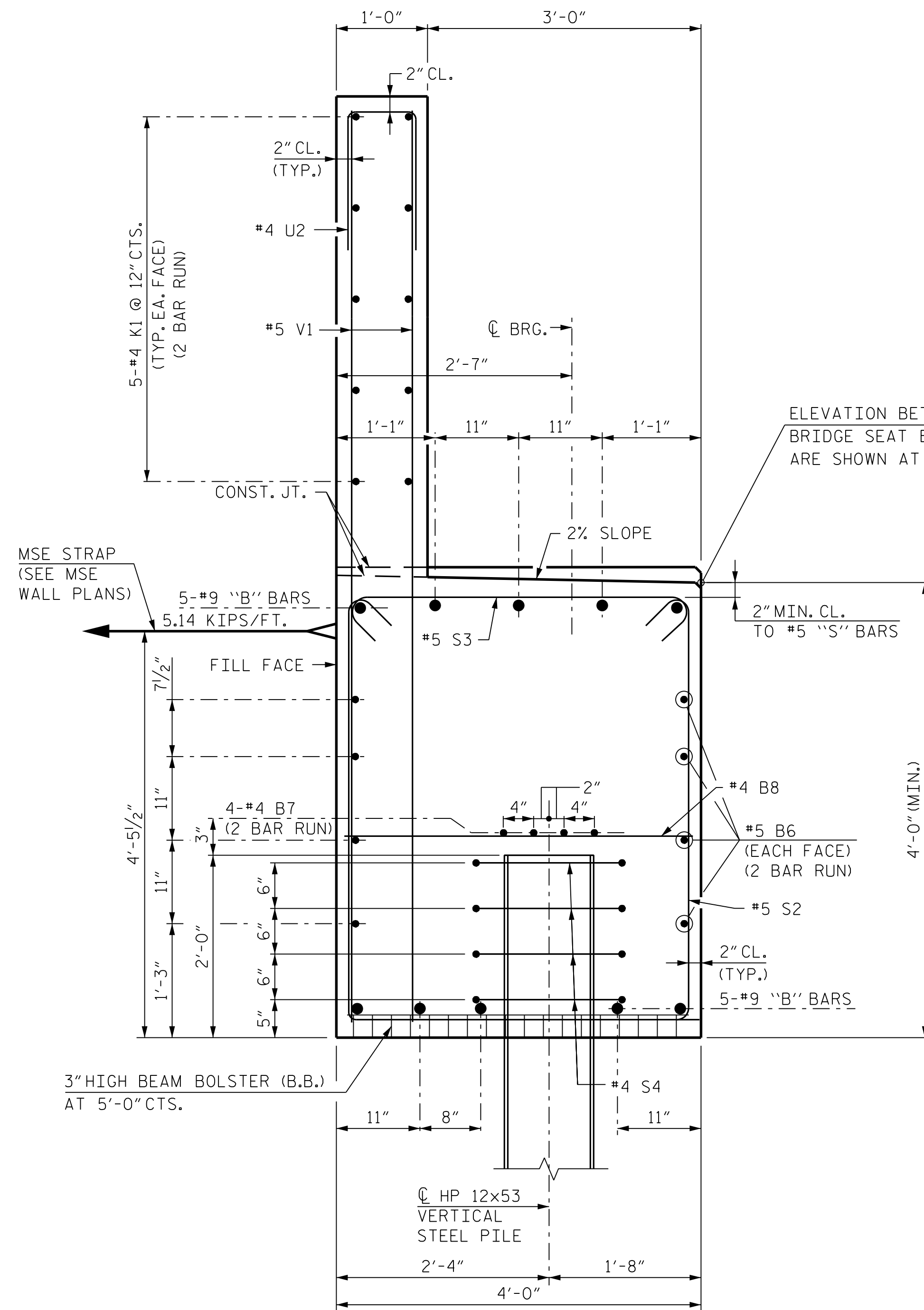
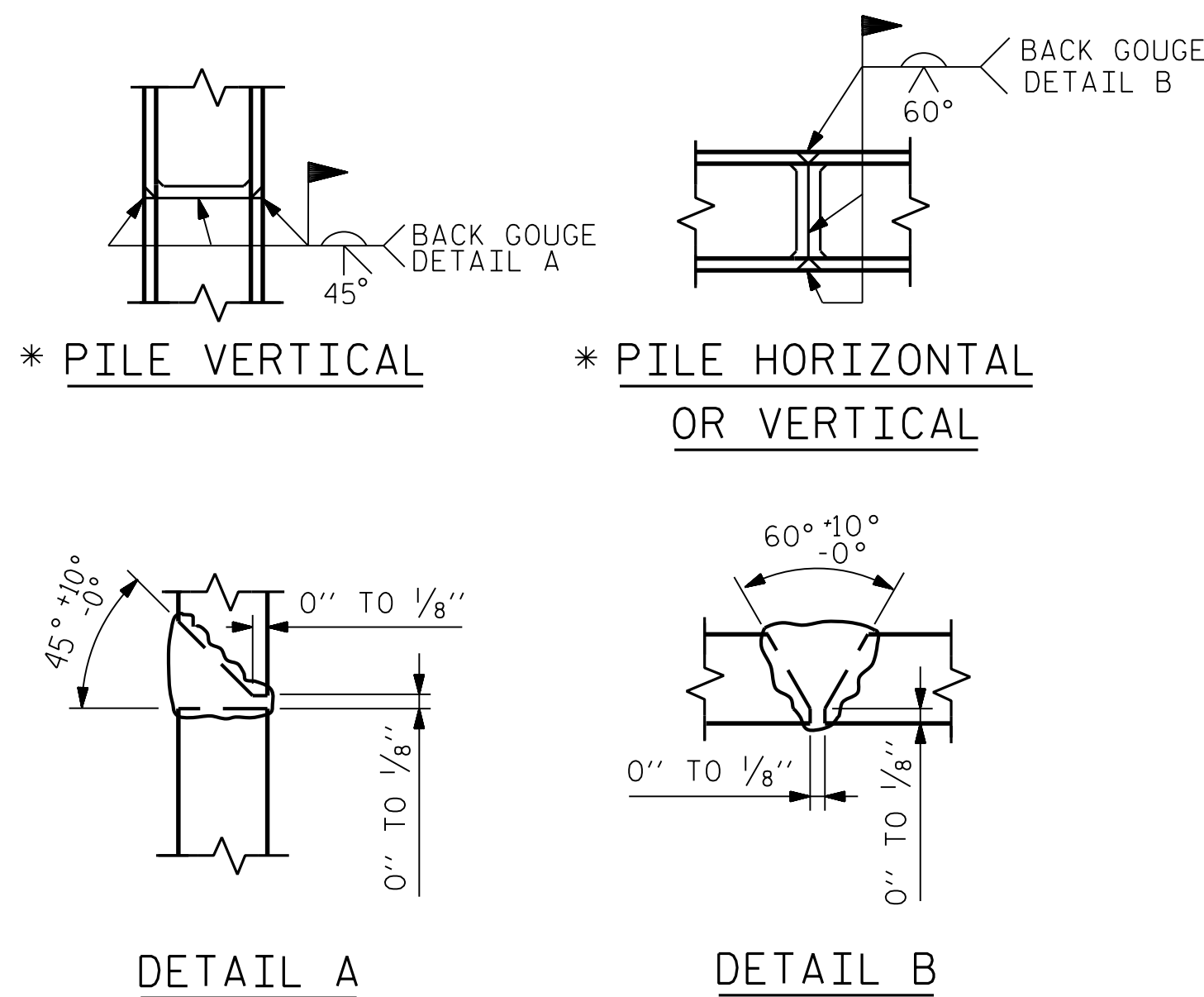


10/4/2021 R:\Structures\DON\BR_500066\Final\I5972_SMU_E2.1C_500066.dgn



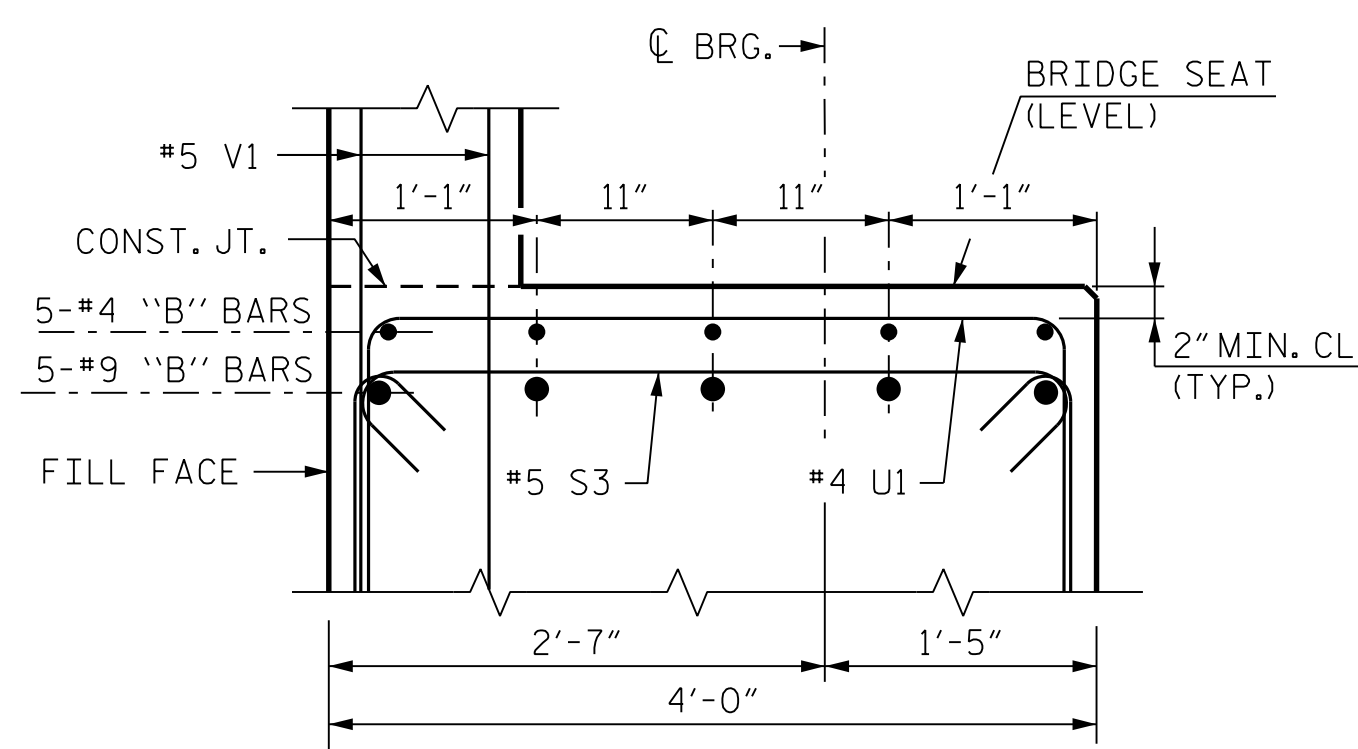
SECTION A-A

(DIMENSIONS SHOWN ARE NORMAL TO THE END BENT)

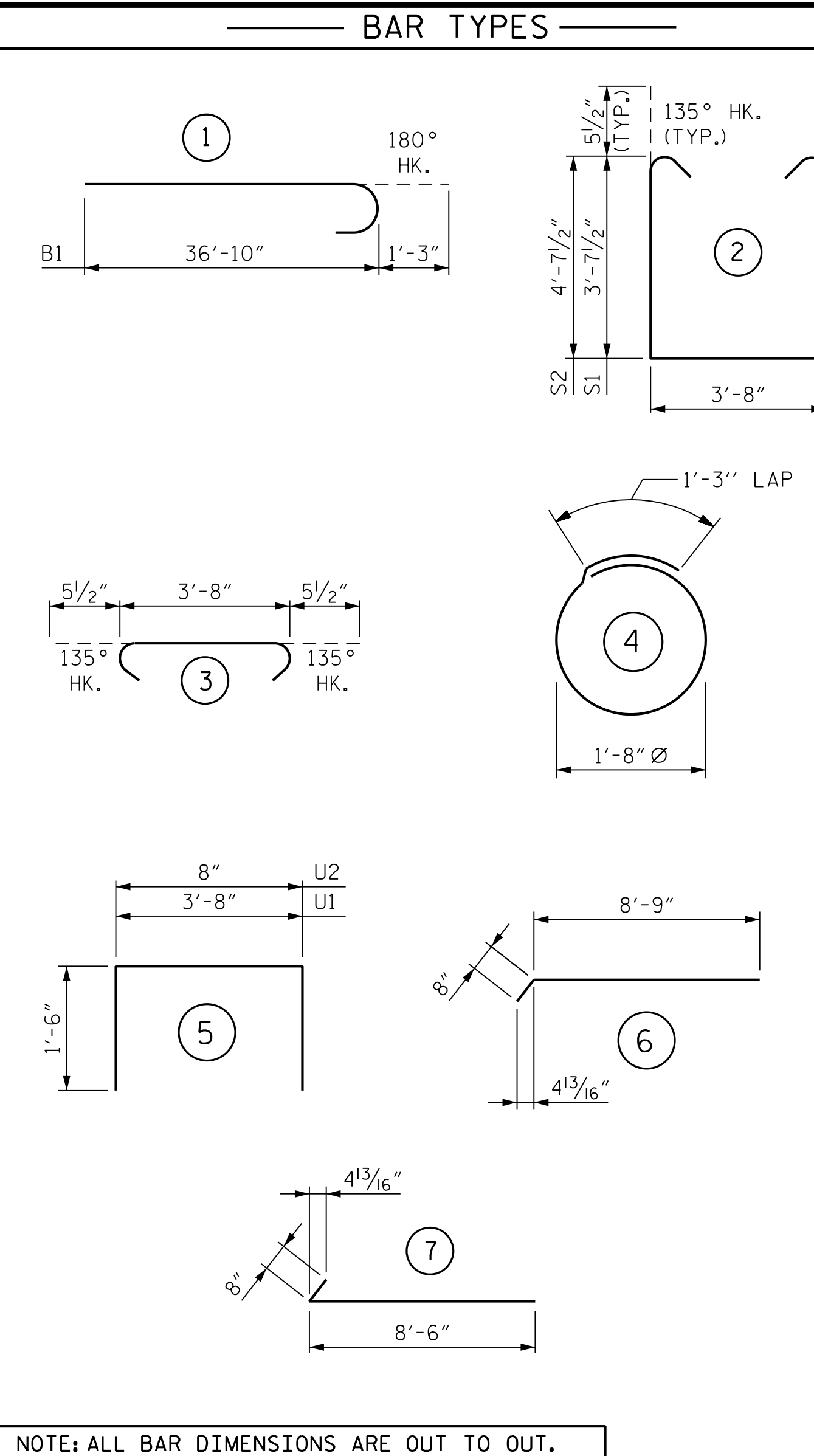


PILE SPLICE DETAILS

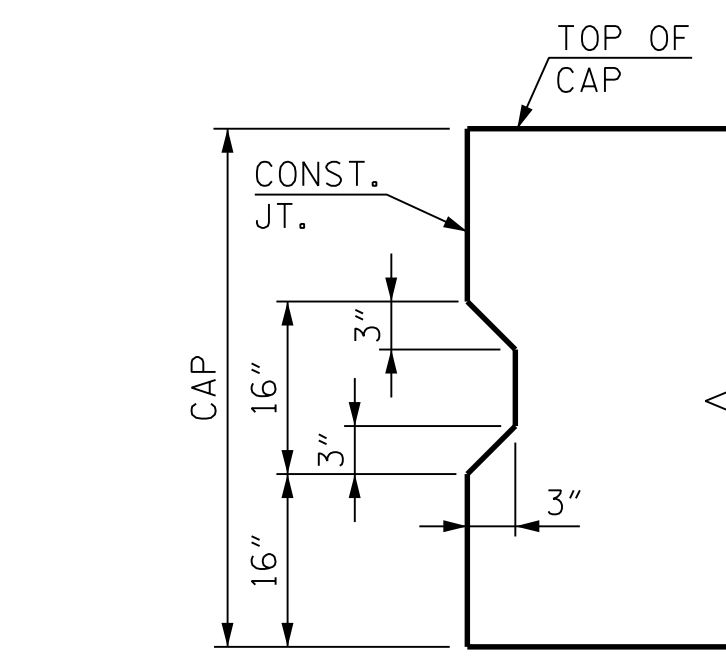
* POSITION OF PILE DURING WELDING.



SECTION B-B



NOTE: ALL BAR DIMENSIONS ARE OUT TO OUT.



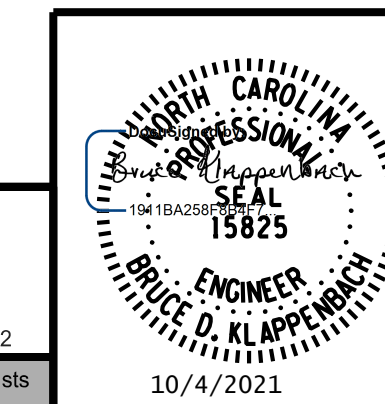
SHEAR KEY DETAIL

BILL OF MATERIAL					
END BENT 2 - STAGE 1					
BAR	NO.	SIZE	TYPE	LENGTH	WEIGHT
B1	10	#9		38'-1"	1,295
B2	5	#9	STR.	22'-1"	375
B3	5	#9	STR.	23'-4"	397
B4	5	#4	STR.	20'-5"	68
B5	5	#4	STR.	15'-1"	50
B6	16	#5	STR.	29'-10"	498
B7	8	#4	STR.	29'-3"	156
B8	13	#4	STR.	3'-8"	32
H2	24	#4		9'-5"	151
K1	20	#4	STR.	28'-1"	375
K2	4	#4	STR.	4'-10"	13
S2	89	#5		13'-10"	1,284
S3	89	#5		4'-7"	425
S4	28	#4		6'-6"	122
U1	41	#4		6'-8"	183
U2	47	#4		3'-8"	115
V1	94	#5	STR.	9'-1"	891
V2	28	#5	STR.	11'-1"	324
REINFORCING STEEL					6,754 LBS.
CLASS "A" CONCRETE					
POUR 1 (CAP AND LOWER WINGS)					42.9 C.Y.
POUR 2 (BACKWALL & UPPER WINGS)					11.1 C.Y.
TOTAL					54.0 C.Y.
HP 12x53 STEEL PILES					
NO.					8
L.F.					440
PILE DRIVING EQUIPMENT SETUP FOR HP 12x53 STEEL PILES					8 EA.

PROJECT NO. I-5972
JOHNSTON COUNTY
 STATION: 36+93.50 -Y1-

SHEET 3 OF 3

STATE OF NORTH CAROLINA
 DEPARTMENT OF TRANSPORTATION
 RALEIGH
SUBSTRUCTURE
 END BENT 2
 MISCELLANEOUS DETAILS
 AND BILL OF MATERIAL
 STAGE 1



REVISIONS						SHEET NO.
NO.	BY:	DATE:	NO.	BY:	DATE:	S-47
1			3			TOTAL SHEETS
2			4			54

DRAWN BY : B. A. HAAG DATE : JUN 2021
 CHECKED BY : D. M. RAGAN DATE : JUN 2021
 DESIGN ENGINEER OF RECORD : B. D. KLAPPENBACH DATE : JUN 2021

**DOCUMENT NOT CONSIDERED FINAL
 UNLESS ALL SIGNATURES COMPLETED**