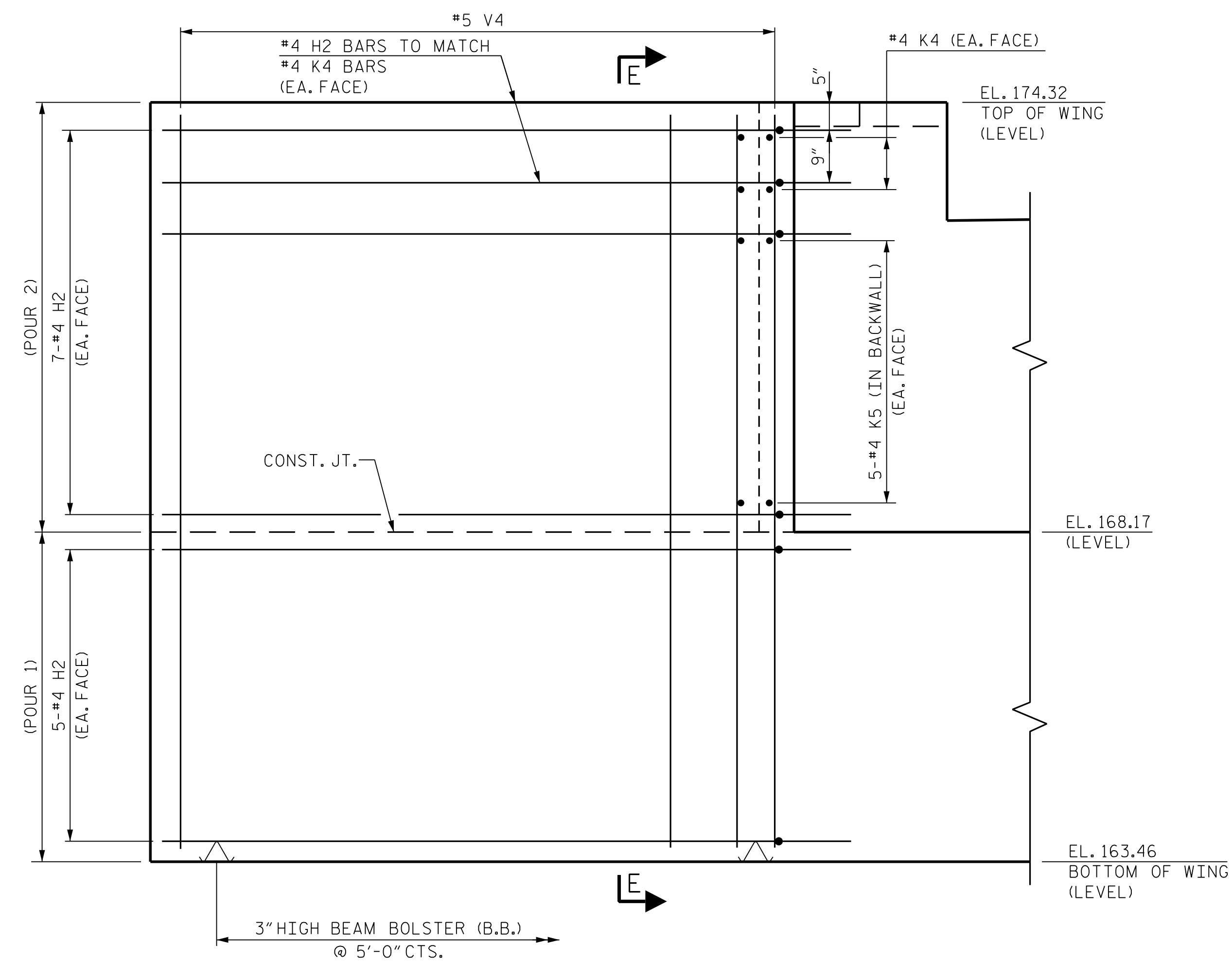
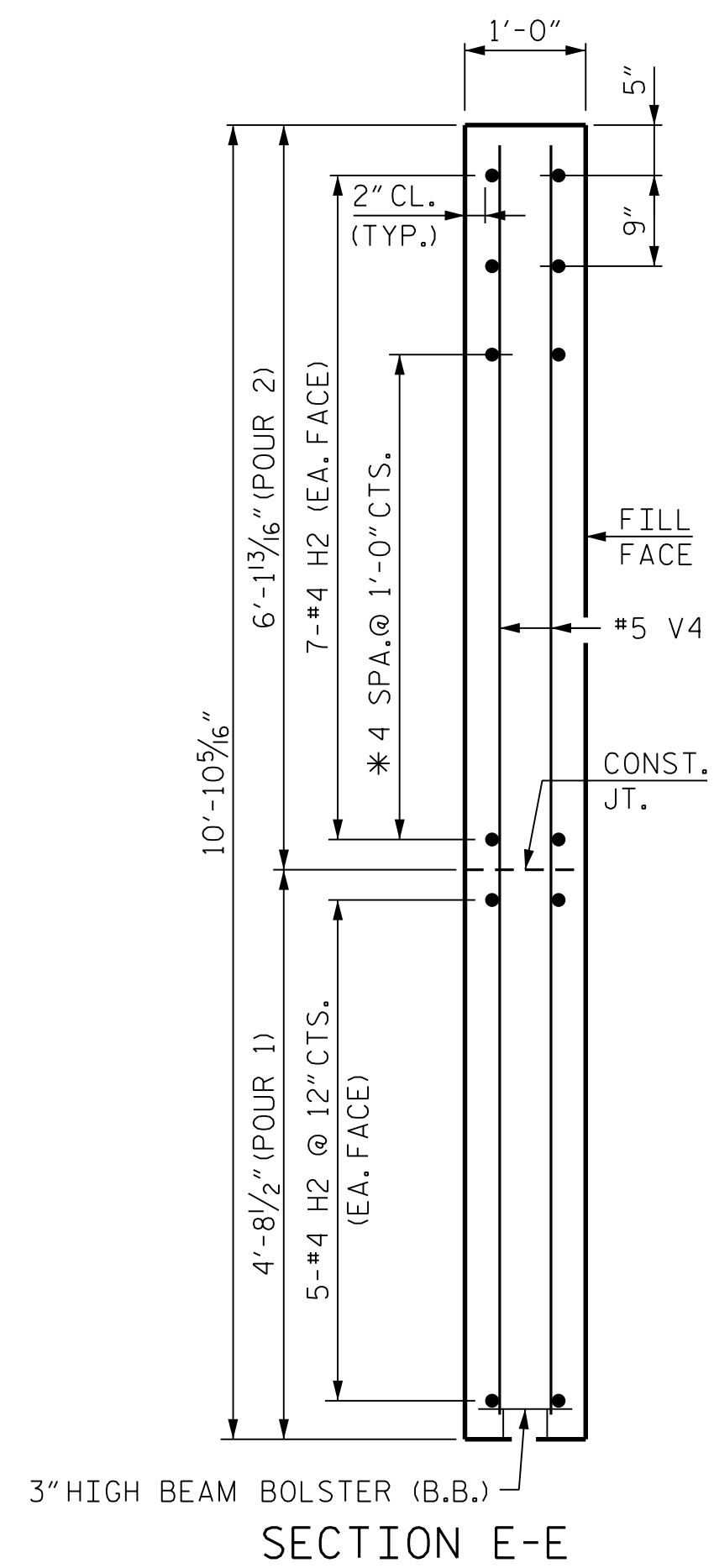


PLAN OF LEFT WINGWALL



ELEVATION OF LEFT WINGWALL
LEFT WINGWALL DETAILS

W1



SECTION E-E

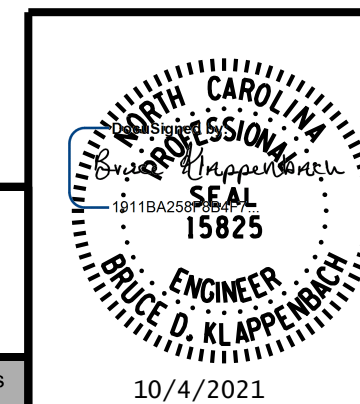
* MATCH TO K5 BARS IN BACKFILL

PROJECT NO. I-5972
JOHNSTON COUNTY
STATION: 36+93.50 -Y1-

SHEET 2 OF 3

STATE OF NORTH CAROLINA
DEPARTMENT OF TRANSPORTATION
RALEIGH

SUBSTRUCTURE
END BENT 1
WINGWALL DETAILS
STAGE 2



RK&K
P: (919) 878-9560
8601 Six Forks Road, Forum 1 Suite 700
Raleigh, North Carolina 27615 | NC License No. F-0112
www.rkk.com
Responsive People | Creative Solutions

10/4/2021

REVISIONS

NO.	BY:	DATE:	NO.	BY:	DATE:	SHEET NO.
1			3			S-39
2			4			TOTAL SHEETS 54

**DOCUMENT NOT CONSIDERED FINAL
UNLESS ALL SIGNATURES COMPLETED**

R:\Structures\DN\BR_500066\Final\I5972_SMU.E1.2B_500066.dgn

10/4/2021
DRAWN BY : B. A. HAAG DATE : JUN 2021
CHECKED BY : D. M. RAGAN DATE : JUN 2021
DESIGN ENGINEER OF RECORD : B. D. KLAPPENBACH DATE : JUN 2021