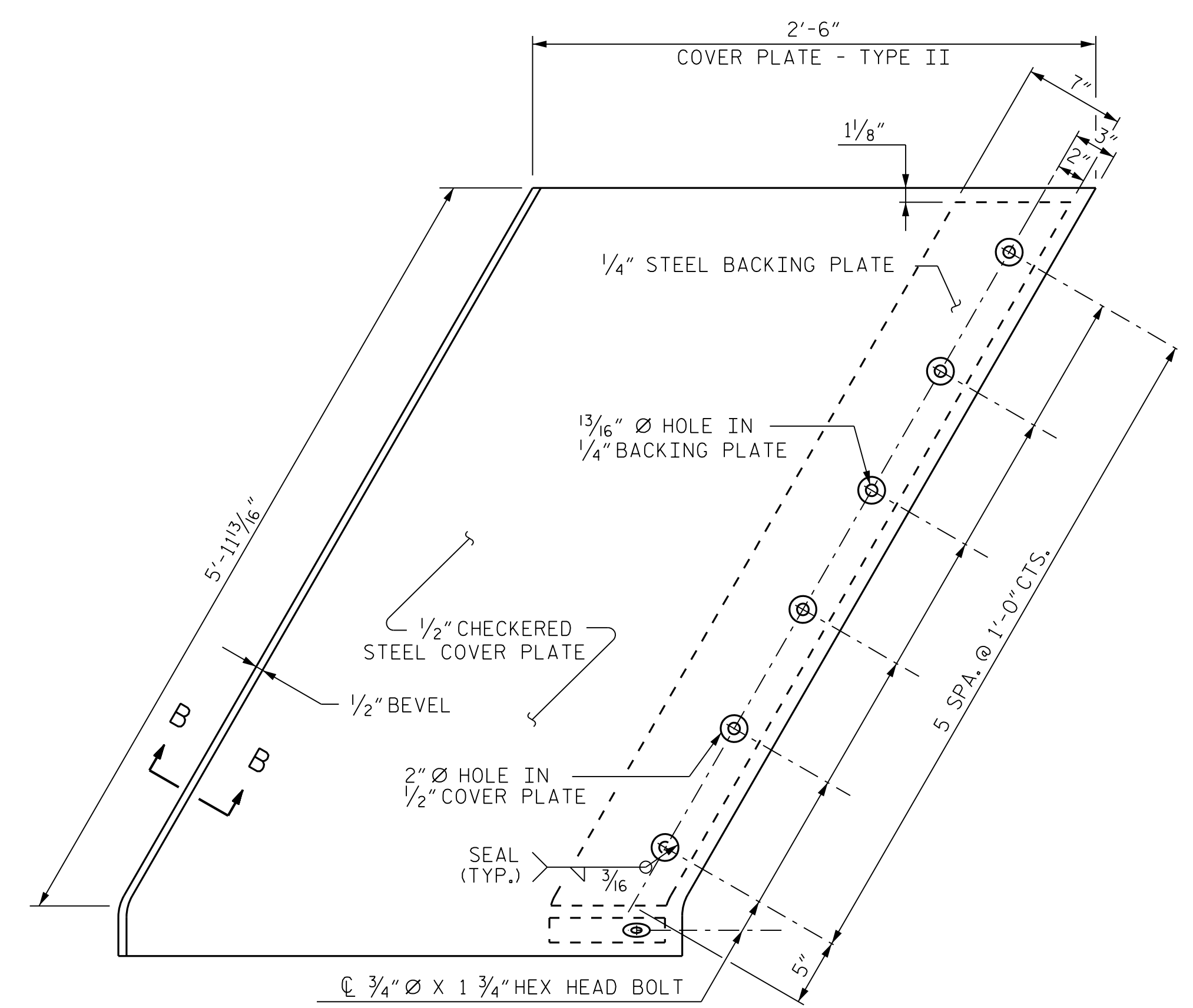


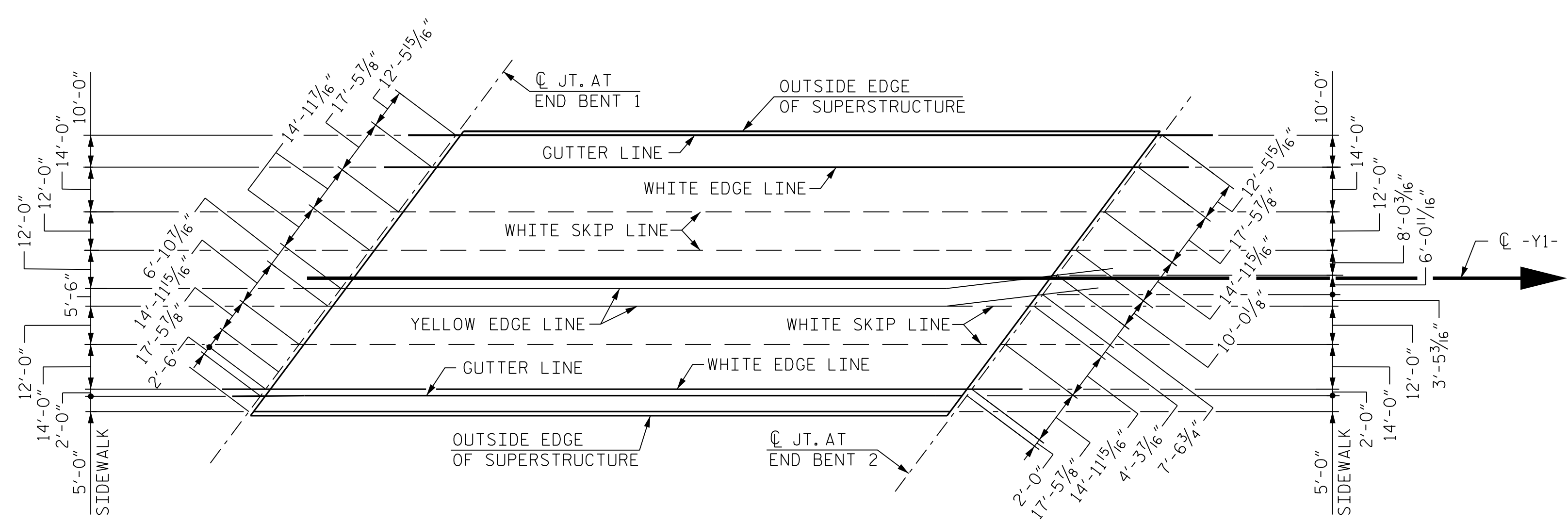
END VIEW  
(NORMAL TO SIDEWALK)

\* CONCRETE RECESS DIMENSIONS:  
 1 3/16" FOR THE SIDE OF THE JOINT HAVING THE 1/2" COVER PLATE WITH A 1/4" BACKING PLATE.  
 9/16" FOR THE SIDE OF THE JOINT HAVING ONLY THE 1/2" COVER PLATE.

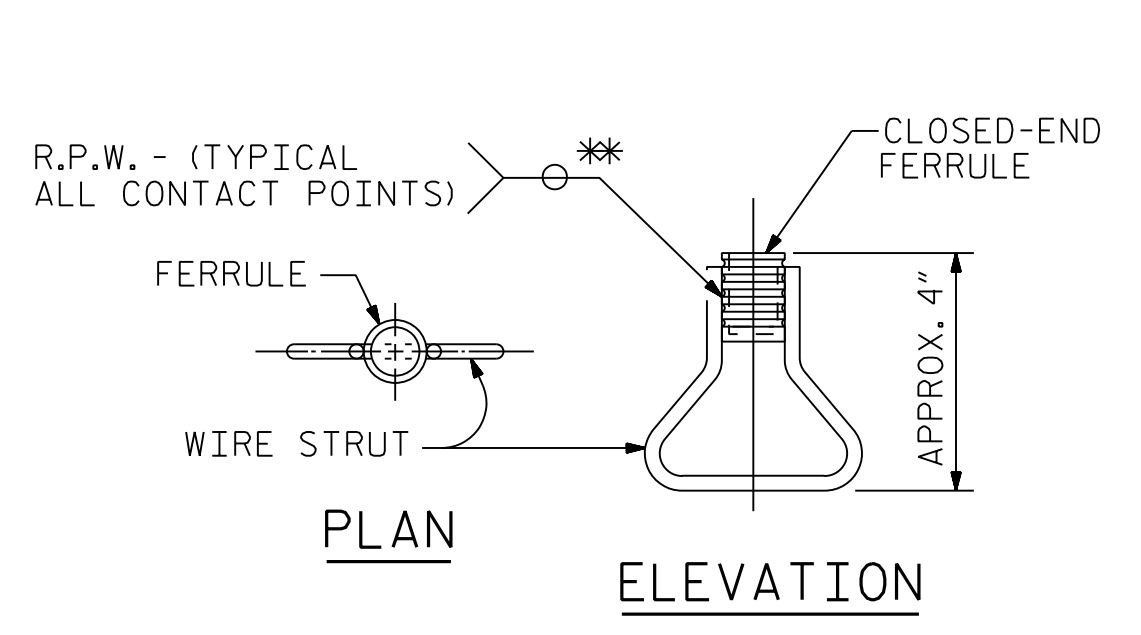


TYPE II - PLAN VIEW

COVER PLATE DETAILS

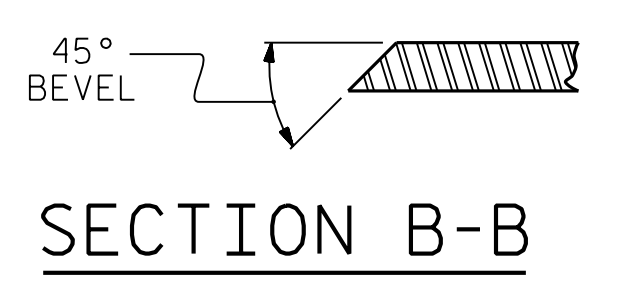


PAVEMENT MARKING ALIGNMENT



CONCRETE INSERT

\* EACH WELDED ATTACHMENT OF WIRE TO FERRULE SHALL DEVELOP THE TENSILE STRENGTH OF THE WIRE.



SECTION B-B

PROJECT NO. I-5972  
 JOHNSTON COUNTY  
 STATION: 36+93.50 -Y1-

SHEET 4 OF 4

STATE OF NORTH CAROLINA  
 DEPARTMENT OF TRANSPORTATION  
 RALEIGH  
 STRIP SEAL EXPANSION JOINT  
 DETAILS FOR SIDEWALK

**RK&K**  
 P: (919) 878-9560  
 8601 Six Forks Road, Forum 1 Suite 700  
 Raleigh, North Carolina 27615 | NC License No. F-0112  
 Engineers | Construction Managers | Planners | Scientists  
 www.rk.com  
 Responsive People | Creative Solutions

Professional Engineer Seal  
 BRUCE D. KLAPPENBACH  
 15825  
 10/4/2021

REVISIONS						SHEET NO.
NO.	BY:	DATE:	NO.	BY:	DATE:	S-32
1			3			TOTAL SHEETS
2			4			54

**DOCUMENT NOT CONSIDERED FINAL  
 UNLESS ALL SIGNATURES COMPLETED**

R:\Structures\DON\BR\_500066\Final\I5972\_SMU\_JT4\_500066.dgn

10/4/2021  
 DRAWN BY : B. A. HAAG DATE : JUN 2021  
 CHECKED BY : B. D. KLAPPENBACH DATE : JUN 2021  
 DESIGN ENGINEER OF RECORD : B. D. KLAPPENBACH DATE : JUN 2021