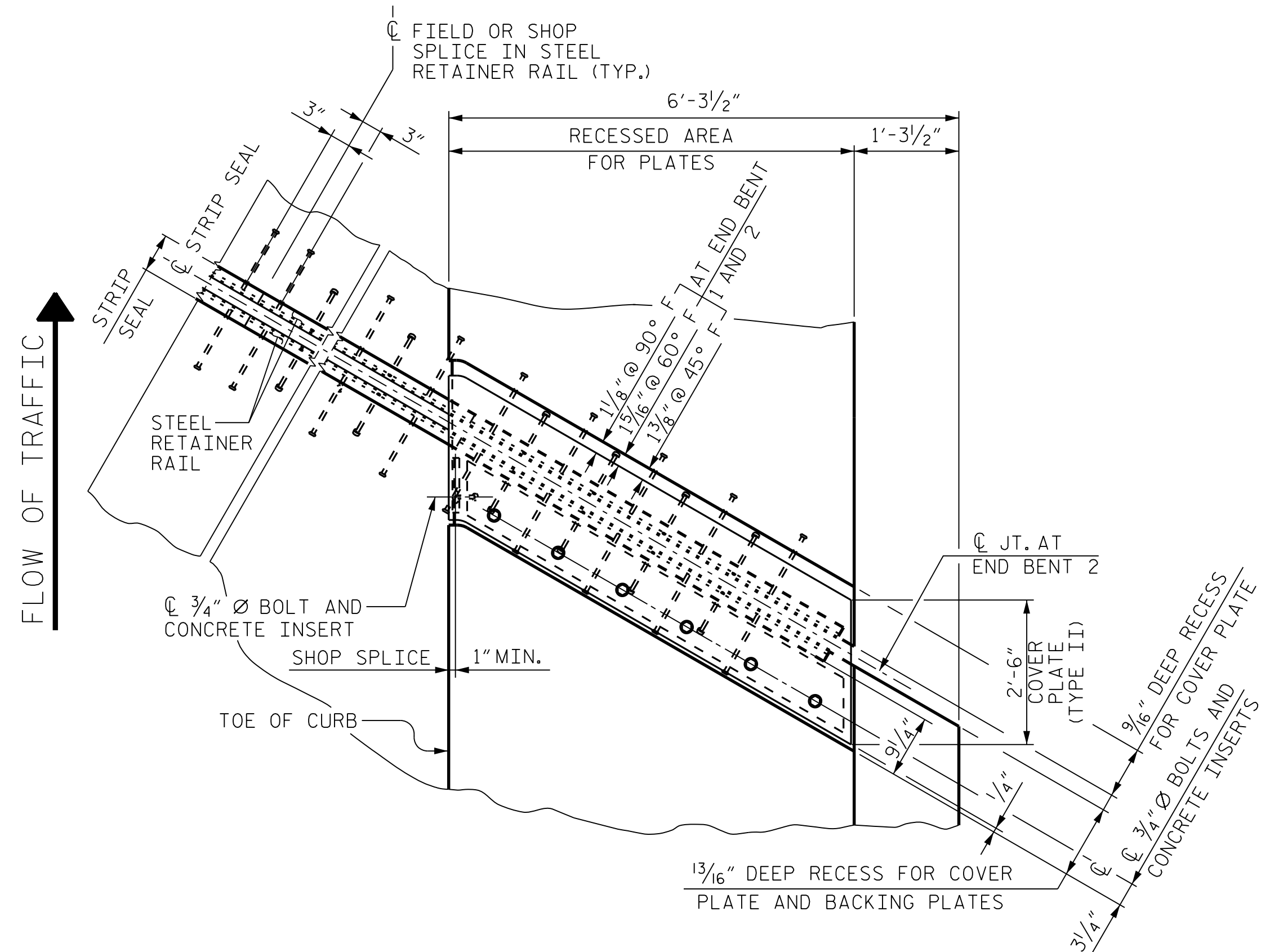
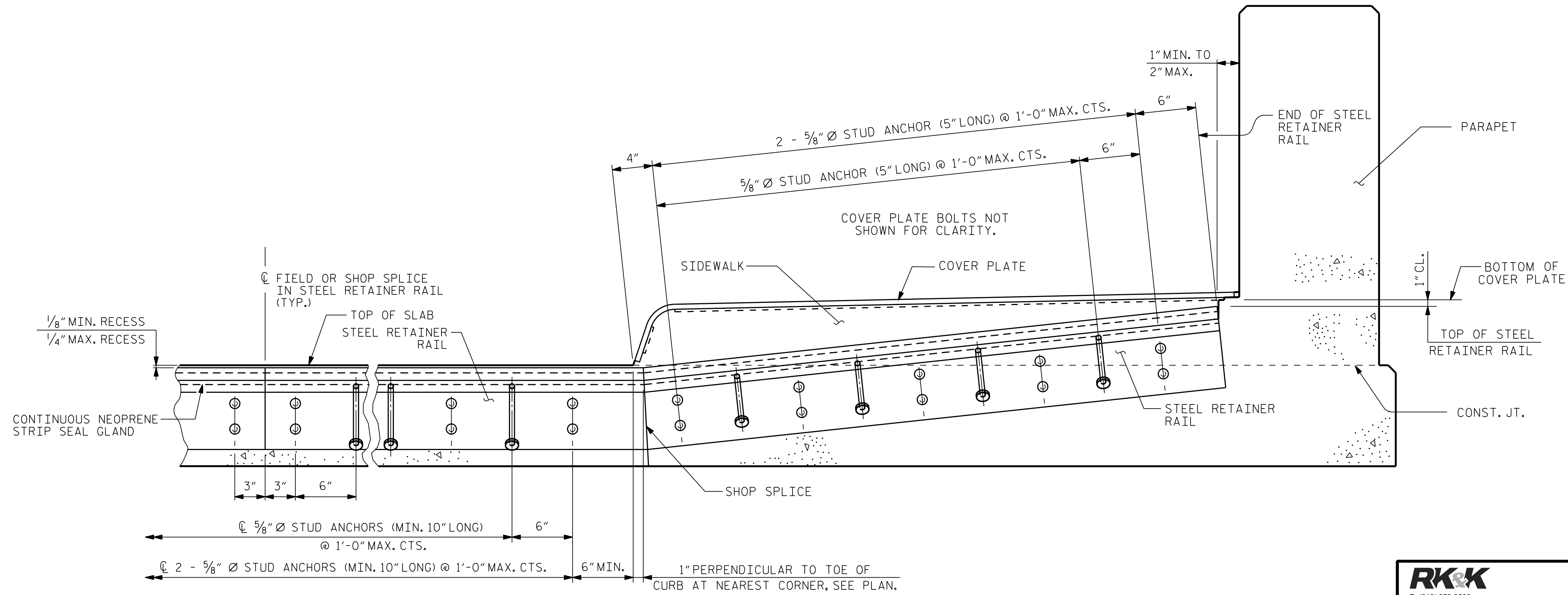


PLAN OF STRIP SEAL EXPANSION JOINT
(DETAIL AT END BENT 1)



PLAN OF STRIP SEAL EXPANSION JOINT
(DETAIL AT END BENT 2)

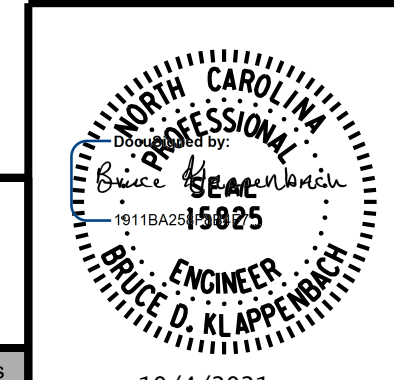


SECTION THRU SIDEWALK NORMAL TO JOINT

PROJECT NO. I-5972
JOHNSTON COUNTY
STATION: 36+93.50 -Y1-

SHEET 3 OF 4

STATE OF NORTH CAROLINA
DEPARTMENT OF TRANSPORTATION
RALEIGH
SUPERSTRUCTURE
STRIP SEAL
EXPANSION JOINT
DETAILS FOR
SIDEWALK
RIGHT SIDE - STAGE 1



RK&K
P: (919) 878-9560
8601 Six Forks Road, Forum 1 Suite 700
Raleigh, North Carolina 27615 | NC License No. F-0112
Engineers | Construction Managers | Planners | Scientists
www.rkk.com
Responsive People | Creative Solutions

10/4/2021

10/4/2021 R:\Structures\DON\BR_500066\Final\I5972_SMU_JT3_500066.dgn
DRAWN BY : B. A. HAAG DATE : JUN 2021
CHECKED BY : B. D. KLAPPENBACH DATE : JUN 2021
DESIGN ENGINEER OF RECORD : B. D. KLAPPENBACH DATE : JUN 2021

DOCUMENT NOT CONSIDERED FINAL
UNLESS ALL SIGNATURES COMPLETED

REVISIONS						SHEET NO.	
NO.	BY:	DATE:	NO.	BY:	DATE:	S-31	
1			3			TOTAL SHEETS	
2			4			54	