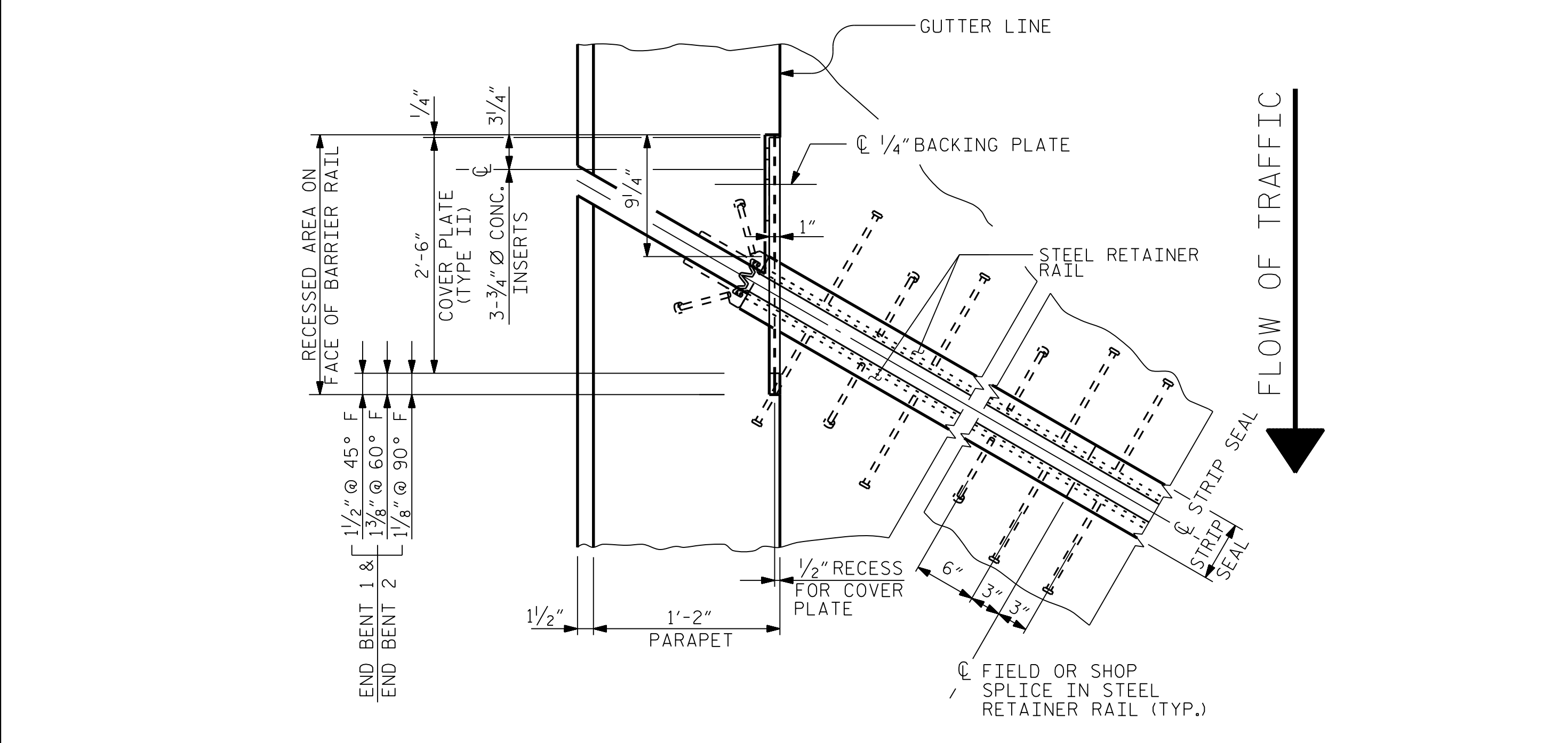
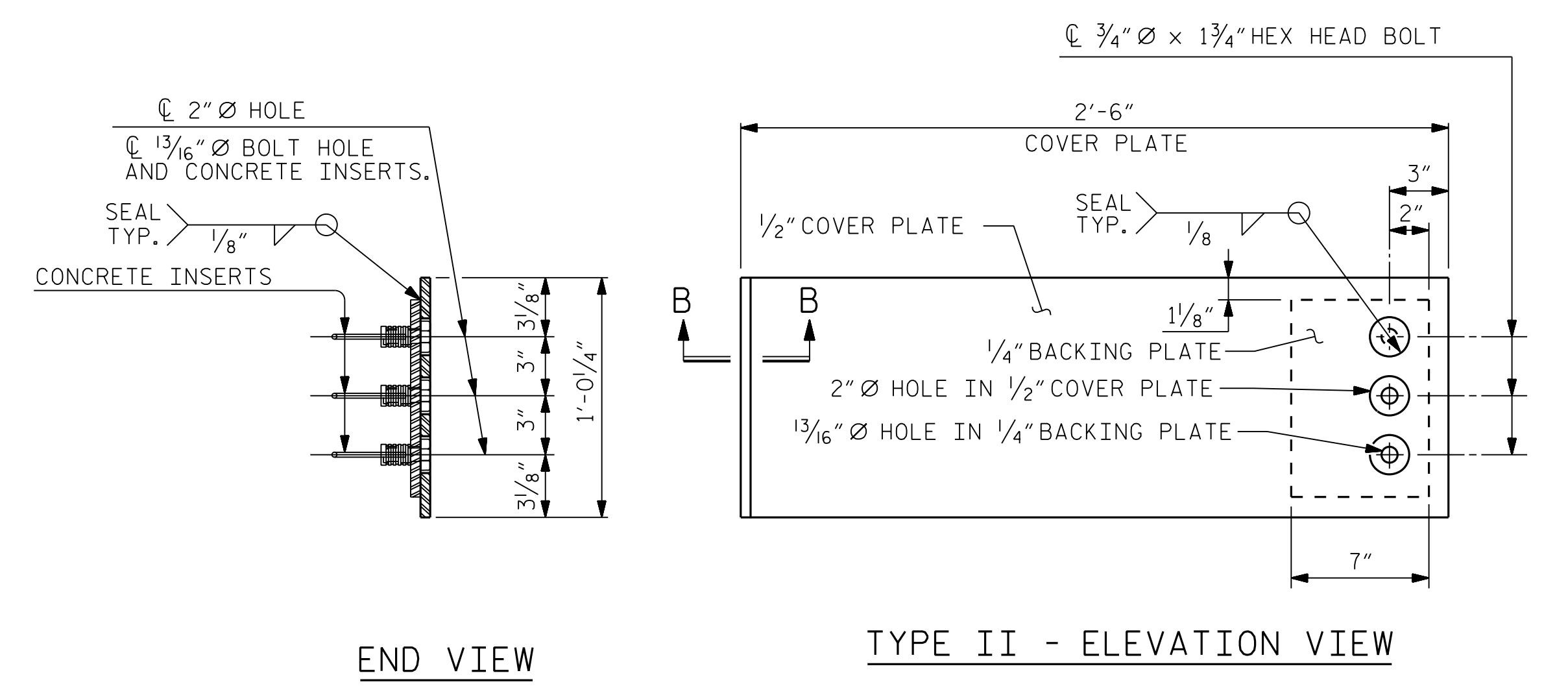


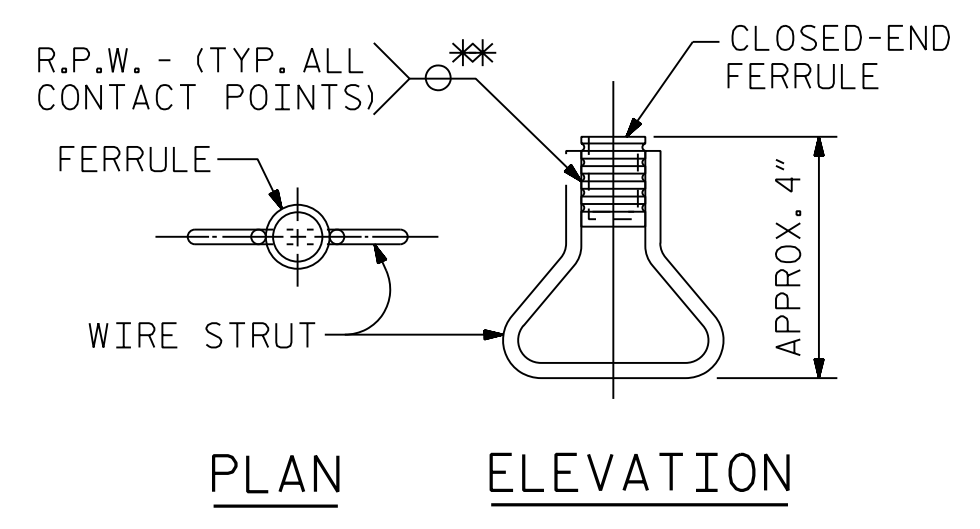
SECTION THRU RAIL NORMAL TO JOINT



PLAN OF STRIP SEAL EXPANSION JOINT



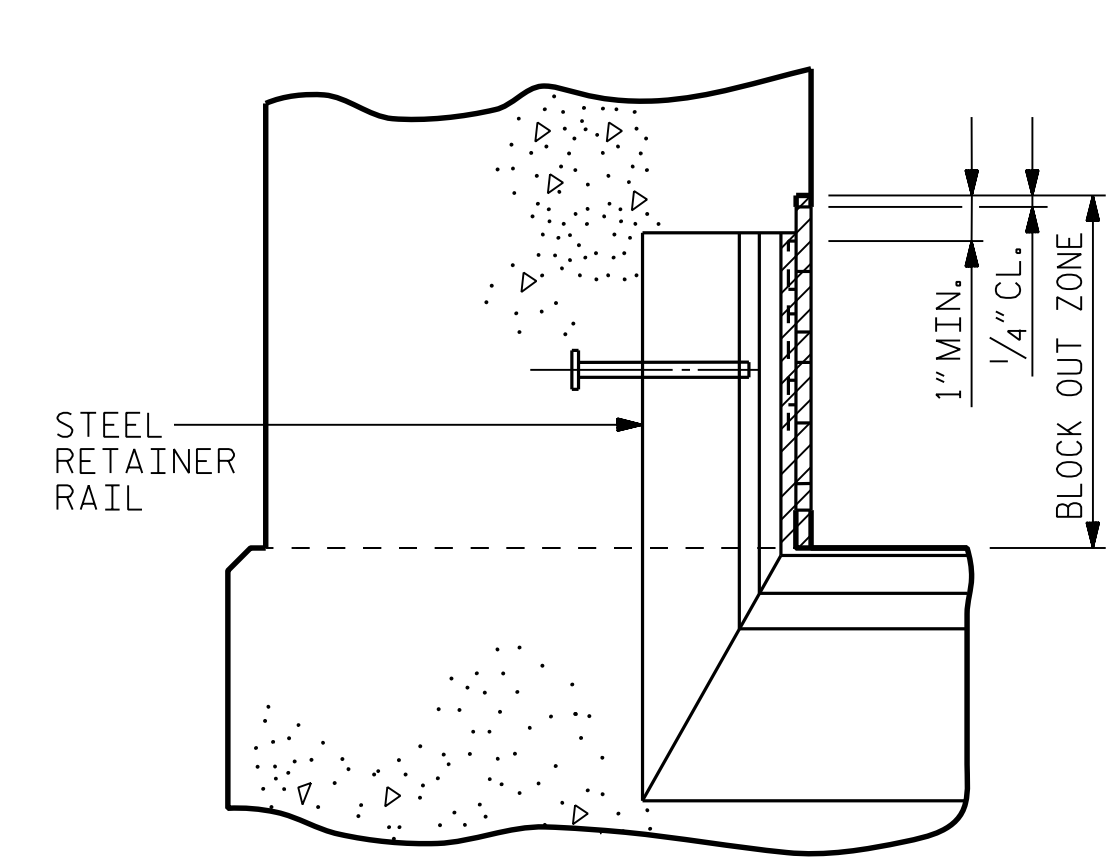
COVER PLATE DETAILS



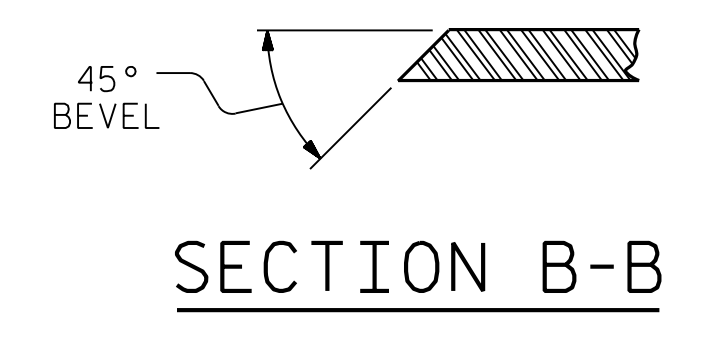
CONCRETE INSERT

* EACH WELDED ATTACHMENT OF WIRE TO FERRULE SHALL DEVELOP THE TENSILE STRENGTH OF THE WIRE.

NOTE:
FOR PAVEMENT MARKING ALIGNMENT, SEE SHEET 4 OF 4.



BLOCK OUT DETAIL

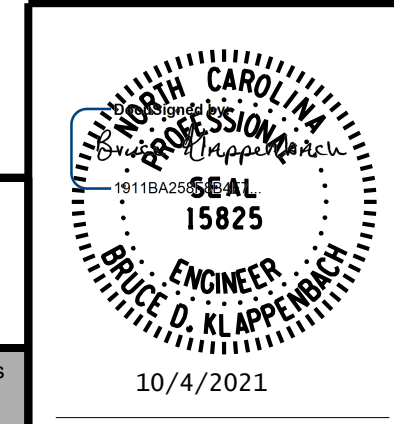


SECTION B-B

PROJECT NO. I-5972
JOHNSTON COUNTY
STATION: 36+93.50 -Y1-

SHEET 2 OF 4

RK&K
P: (919) 878-9560
8601 Six Forks Road, Forum 1 Suite 700
Raleigh, North Carolina 27615 | NC License No. F-0112
Engineers | Construction Managers | Planners | Scientists
www.rk.com



STATE OF NORTH CAROLINA
DEPARTMENT OF TRANSPORTATION
RALEIGH
SUPERSTRUCTURE
STRIP SEAL
EXPANSION JOINT DETAILS
LEFT SIDE - STAGE 2

REVISIONS						SHEET NO.
NO.	BY:	DATE:	NO.	BY:	DATE:	S-30
1			3			TOTAL SHEETS
2			4			54

DOCUMENT NOT CONSIDERED FINAL
UNLESS ALL SIGNATURES COMPLETED

R:\Structures\DON\BR_500066\Final\I5972_SMU_JT2_500066.dgn

10/4/2021
DRAWN BY : B. A. HAAG DATE : JUN 2021
CHECKED BY : B. D. KLAPPENBACH DATE : JUN 2021
DESIGN ENGINEER OF RECORD : B. D. KLAPPENBACH DATE : JUN 2021