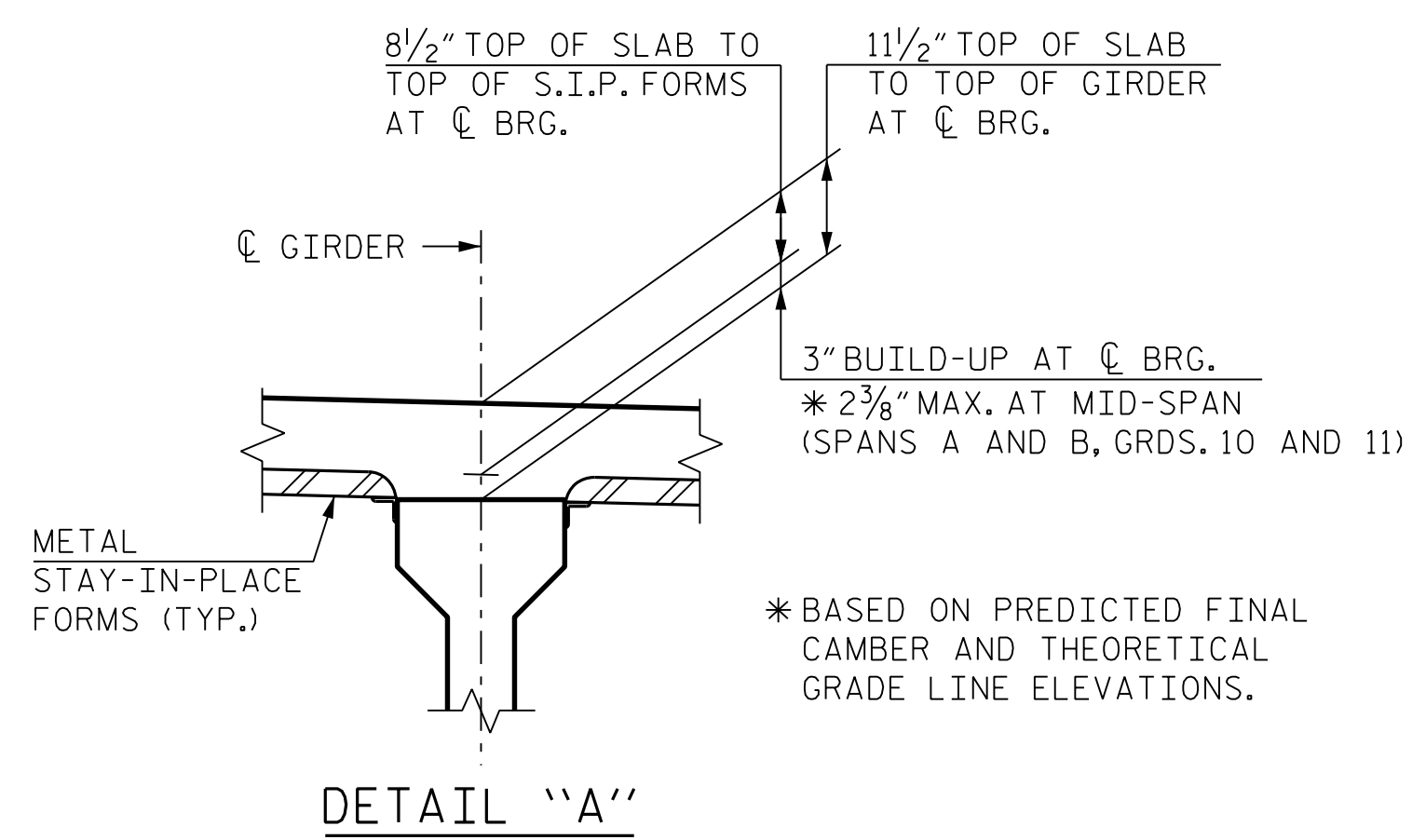


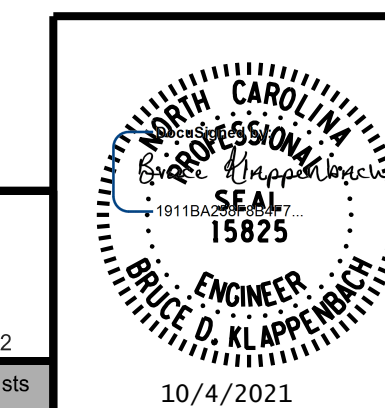
TYPICAL SECTION AT INTERMEDIATE DIAPHRAGM - STAGE 1



PROJECT NO. I-5972
JOHNSTON COUNTY
 STATION: 36+93.50 -Y1-

SHEET 2 OF 5

STATE OF NORTH CAROLINA
 DEPARTMENT OF TRANSPORTATION
 RALEIGH
 SUPERSTRUCTURE
 TYPICAL SECTIONS
 STAGE 1



RK&K
 P: (919) 878-9560
 8601 Six Forks Road, Forum 1 Suite 700
 Raleigh, North Carolina 27615 | NC License No. F-0112
 Engineers | Construction Managers | Planners | Scientists
 www.rkk.com

10/4/2021

REVISIONS

NO.	BY:	DATE:	NO.	BY:	DATE:
1			3		
2			4		

SHEET NO.
 S-7
 TOTAL SHEETS
 54

**DOCUMENT NOT CONSIDERED FINAL
 UNLESS ALL SIGNATURES COMPLETED**

R:\Structures\DN\BR_500066\Final\I5972_SML_TSL1B_500066.dgn
 10/4/2021 10:44:21
 bhag

DRAWN BY : B. A. HAAG DATE : JUN 2021
 CHECKED BY : B. D. KLAPPENBACH DATE : JUN 2021
 DESIGN ENGINEER OF RECORD : B. D. KLAPPENBACH DATE : JUN 2021