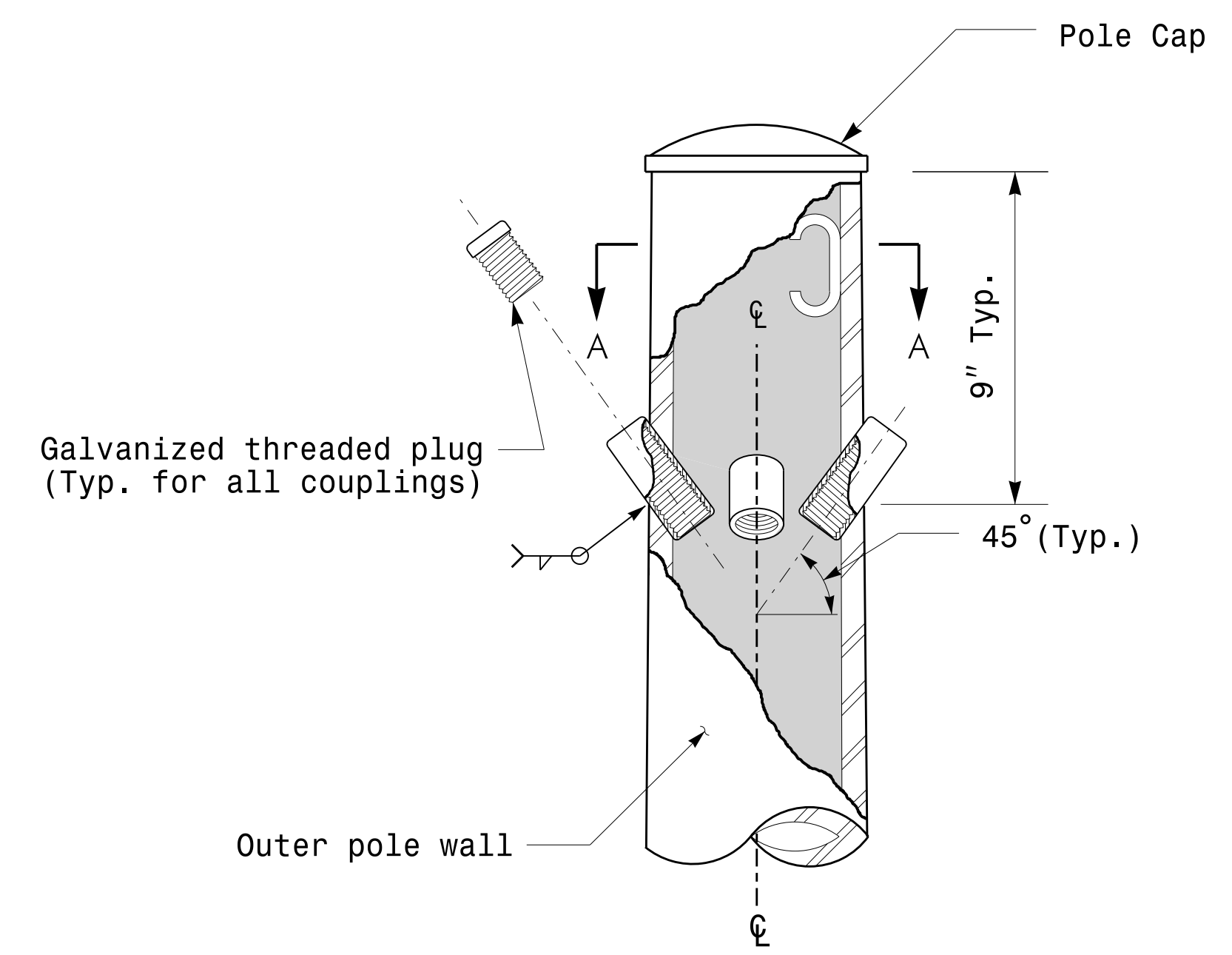
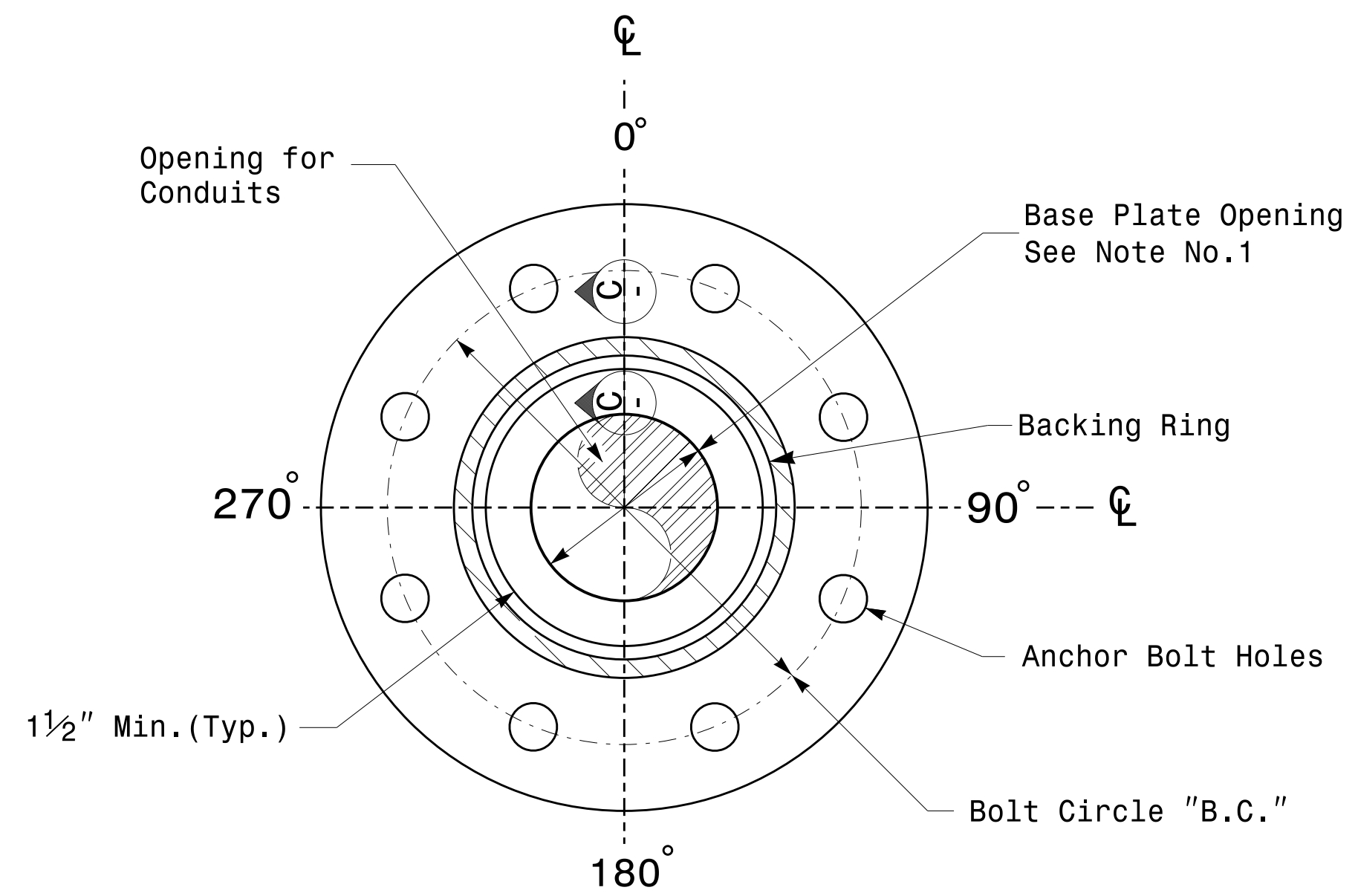


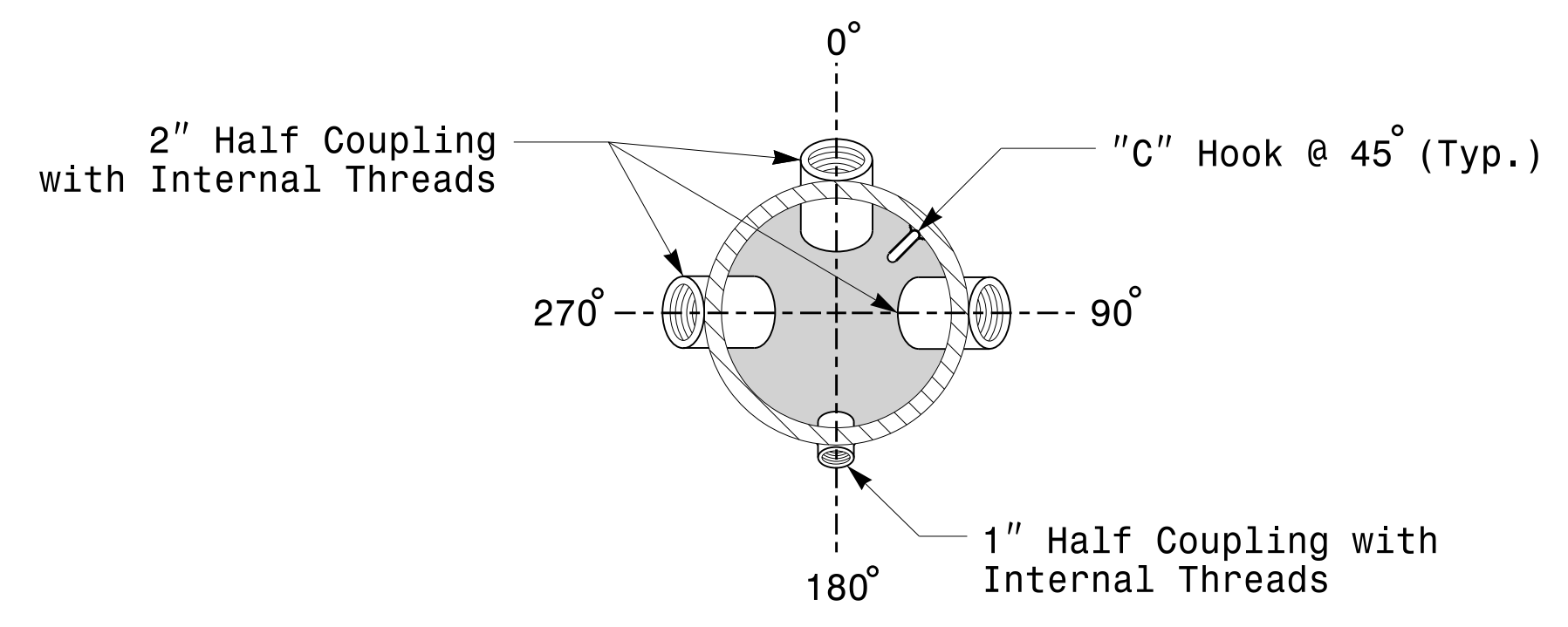
Note:
 1. Opening in pole base plate shall be equal to pole base inside diameter minus 3 1/2" but shall not be less than 8 1/2".



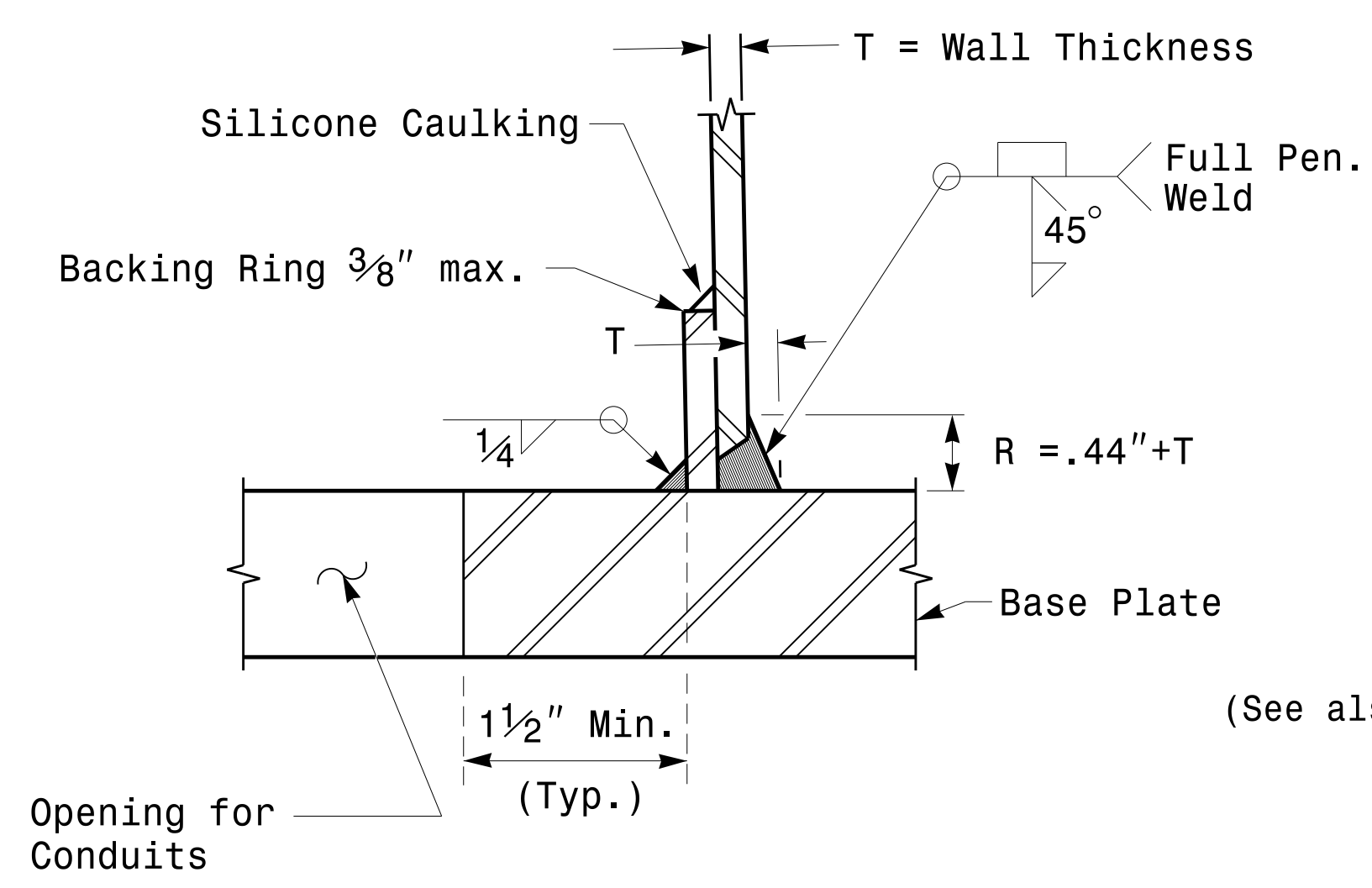
Cable Entrances at Top of Pole



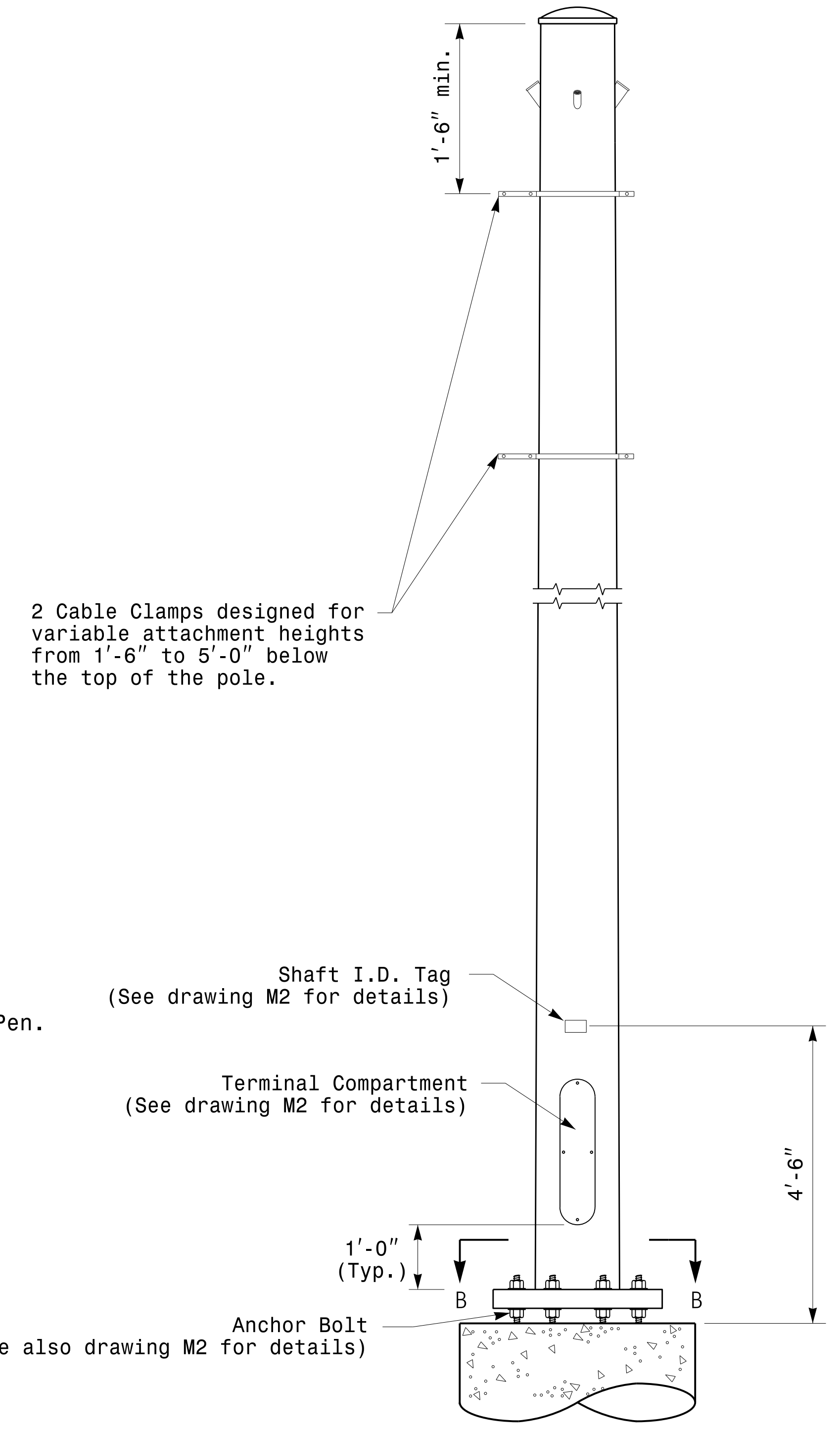
Section B-B
Pole Base Plate Details
(8 and 12 Bolt Pattern)



Section A-A
Radial Orientation for Factory Installed
Accessories at Top of Pole



Section C-C
(Pole Attachment to Base Plate)
Full-Penetration
Groove Weld Detail



Monotube Strain Pole

	Typical Fabrication Details For Strain Poles		
	PLAN DATE: OCTOBER 2017 DESIGNED BY: K.C. DURIGON	PREPARED BY: N. BITTING REVIEWED BY: D.C. SARKAR	
SCALE: NONE	REVISIONS:	INIT. DATE:	SEAL DocuSigned by: <i>Dibesh C. Sarkar</i> 44EB87816FA4F49E
			10/11/2017 DATE

11-001-2017-08225
 1156504115 Signal.svk:gnrc Design Section Eastern RegionM Sheets20162014 Sig.M3 Std. Fabrication Details-Strain Poles.dgn
 11/11/2017

Fabrication Details – Strain Poles