

PAVEMENT MARKING SCHEDULE

THERMOPLASTIC LINES (90 MILS)

- T1 WHITE EDGE LINE (4")
- T2 WHITE SOLID LANE LINE (4")
- T4 3FT.-9FT./SP WHITE MINISKIP (4")
- T5 2FT.-6FT./SP WHITE MINISKIP (4")
- T11 YELLOW SINGLE CENTER (4")
- T12 10FT. YELLOW SKIP (4")
- T13 YELLOW DOUBLE CENTER (4")
- T20 WHITE EDGELINE (6")
- T21 WHITE SOLID LANE LINE (6")
- T22 10FT. WHITE SKIP (6")
- T23 3FT.-9FT. /SP WHITE MINISKIP (6")
- T24 2FT.-6FT./SP WHITE MINISKIP (6")
- T30 YELLOW EDGELINE (6")
- T31 YELLOW SINGLE CENTER (6")
- T32 10 FT. YELLOW SKIP (6")
- T33 YELLOW DOUBLE CENTER (6")
- T42 YELLOW DIAGONAL (8")
- T46 WHITE CROSSWALK LINE (8")
- T50 WHITE GORELINE (12")
- T52 YELLOW DIAGONAL (12")
- T53 WHITE SOLID LANE LINE (12")
- T54 3FT.-9FT./SP WHITE MINISKIP (12")
- T61 WHITE STOPBAR (24")

COLD APPLIED (TYPE III) LINES

- C20 WHITE EDGELINE (6")
- C22 10 FT. WHITE SKIP (6")
- C23 3FT.- 9FT./ SP WHITE MINISKIP (6")
- C30 YELLOW EDGELINE (6")

THERMOPLASTIC SYMBOLS (90 MILS)

- T70 LEFT TURN ARROW
- T71 RIGHT TURN ARROW
- T72 STRAIGHT ARROW
- T73 COMBO. LEFT/STRAIGHT ARROW
- T74 COMBO. RIGHT /STRAIGHT ARROW
- T79 MERGE ARROW
- T80 WRONG-WAY RAMP ARROW
- T100 ALPHANUMERIC CHAR.
- T103 24" YIELD LINE TRIANGLE

PAVEMENT MARKERS

- MB PERMANENT RAISED (CRYSTAL & RED)
- ME SNOWPLOWABLE (YELLOW & YELLOW)
- MF SNOWPLOWABLE (CRYSTAL & RED)

PROJECT SHEET NO.

I-5972 PMP-3

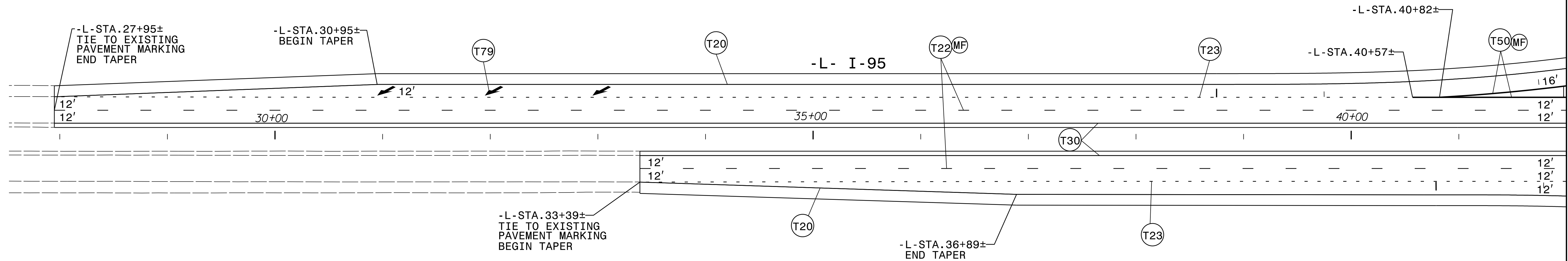
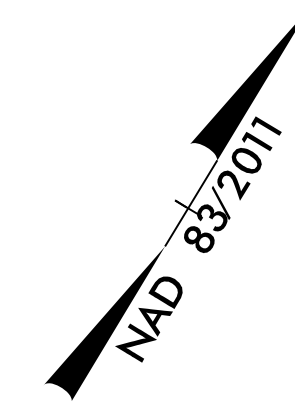
APPROVED: *Kevin Bishy*

DATE: 9/19/2023

SEAL



**DOCUMENT NOT CONSIDERED FINAL
UNLESS ALL SIGNATURES COMPLETED**



MATCHLINE -L- STA. 42+00 SEE SHEET 4

NOTE:
ALL LANE WIDTHS ARE 12'
UNLESS OTHERWISE SHOWN.

9/19/2023 10:41:03 AM psh03.dgn

RKK
 P: (919) 578-9500
 8601 Six Forks Road Forum 1 Suite 700 | Raleigh, North Carolina 27615
 NC License No. F-0112
 Responsive People | Creative Solutions

PAVEMENT MARKING DETAIL