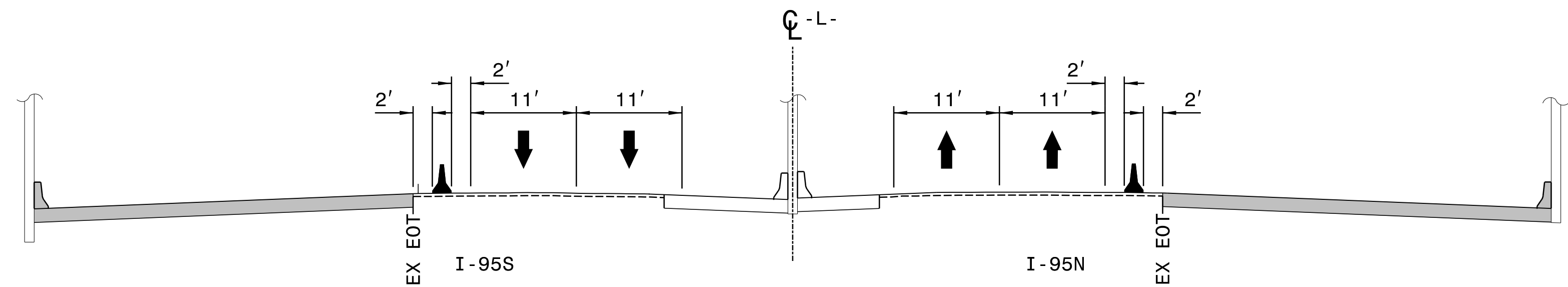
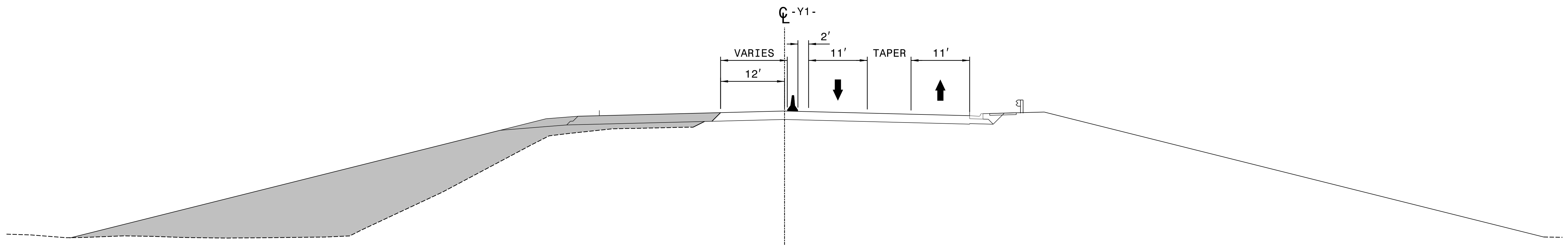


**SECTION Y-Y STEP 2 - PART 1**  
 BACKFILL EXCAVATION AND PAVE TO THE EDGE  
 AND ELEVATION OF THE EXISTING PAVEMENT.



**SECTION Y-Y STEP 2 - PART 2**  
 SHIFT TRAFFIC TO THE MEDIAN

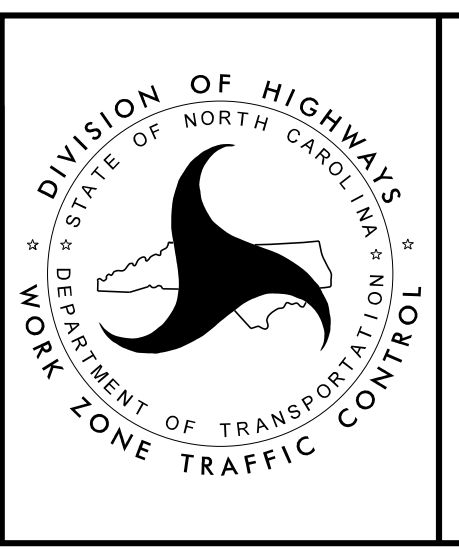


**SECTION Z-Z**

APPROVED: *Kevin Bisby*  
 DATE: 9/19/2023

SEAL

**NORTH CAROLINA PROFESSIONAL ENGINEER**  
 SEAL 21047  
 KEVIN W. B. BISBY



**PHASE III**  
**STEPS 2 AND 2A**

9/19/2023  
 15912-TMP-FSH32A.dgn  
 R015Bdy