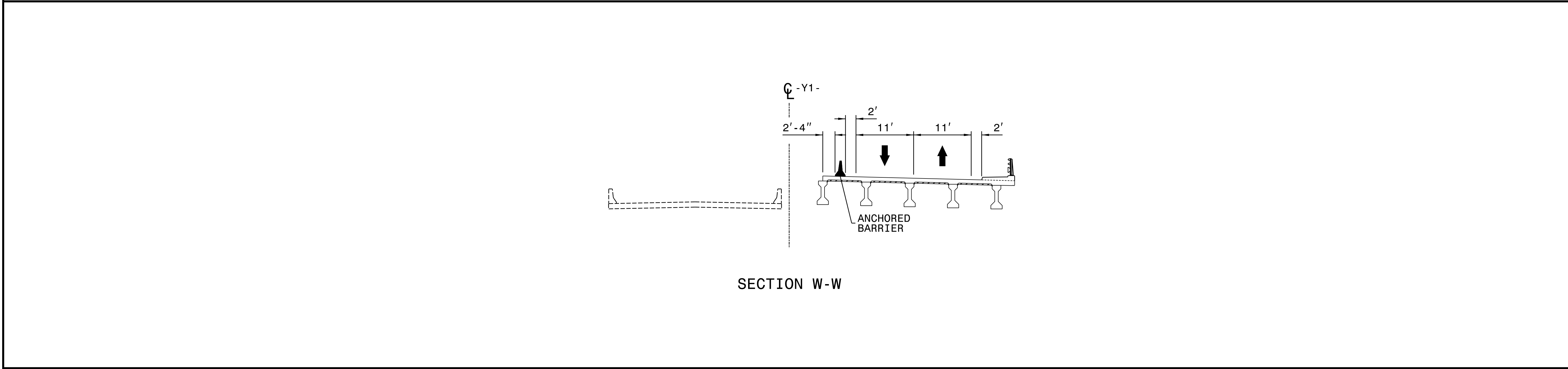
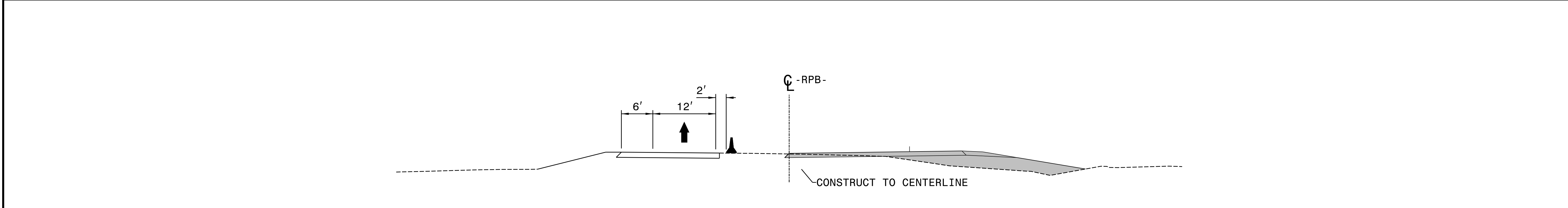


SECTION V-V



SECTION W-W



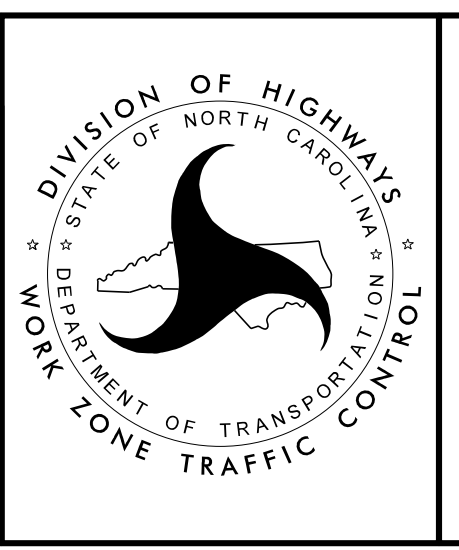
SECTION X-X

9/19/2023
 15912-TMP-FSH29A.dgn
 R015dy

APPROVED: *Kevin Bishop*
DocuSigned by: Kevin Bishop
 800802028912472

DATE: 9/19/2023

SEAL



PHASE II
 STEPS 4 AND 5

**DOCUMENT NOT CONSIDERED FINAL
 UNLESS ALL SIGNATURES COMPLETED**