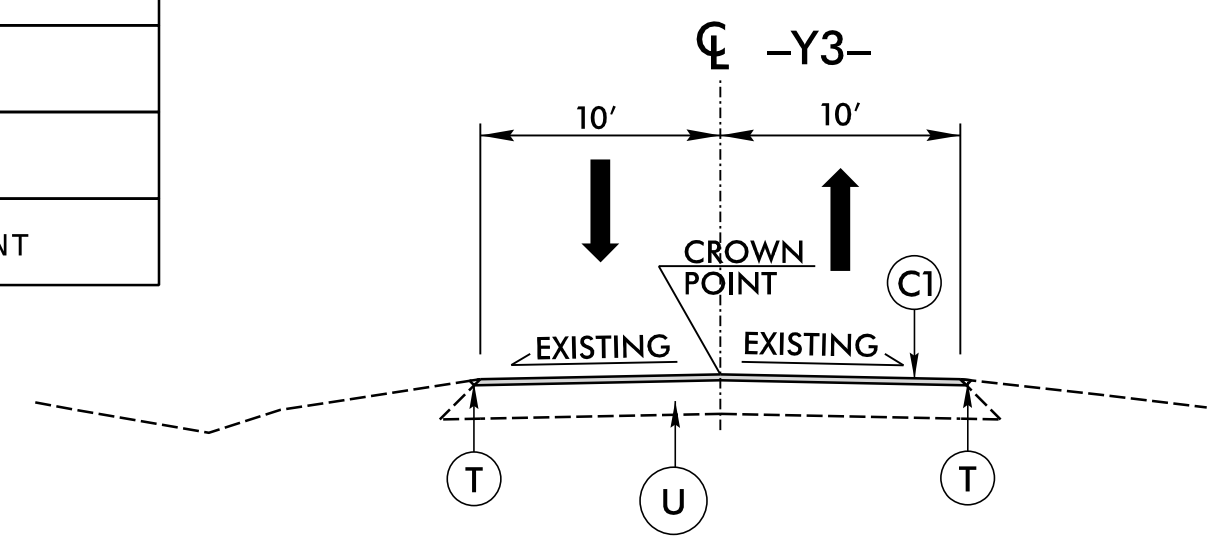


6/2/2023

FINAL PAVEMENT SCHEDULE	
C1	3" TYPE S9.5B
C2	3" TYPE S9.5C
C3	1 1/2" TYPE S9.5C
D2	3" TYPE I19.0C
E1	4" TYPE B25.0C
T	EARTH MATERIAL
U	EXISTING PAVEMENT

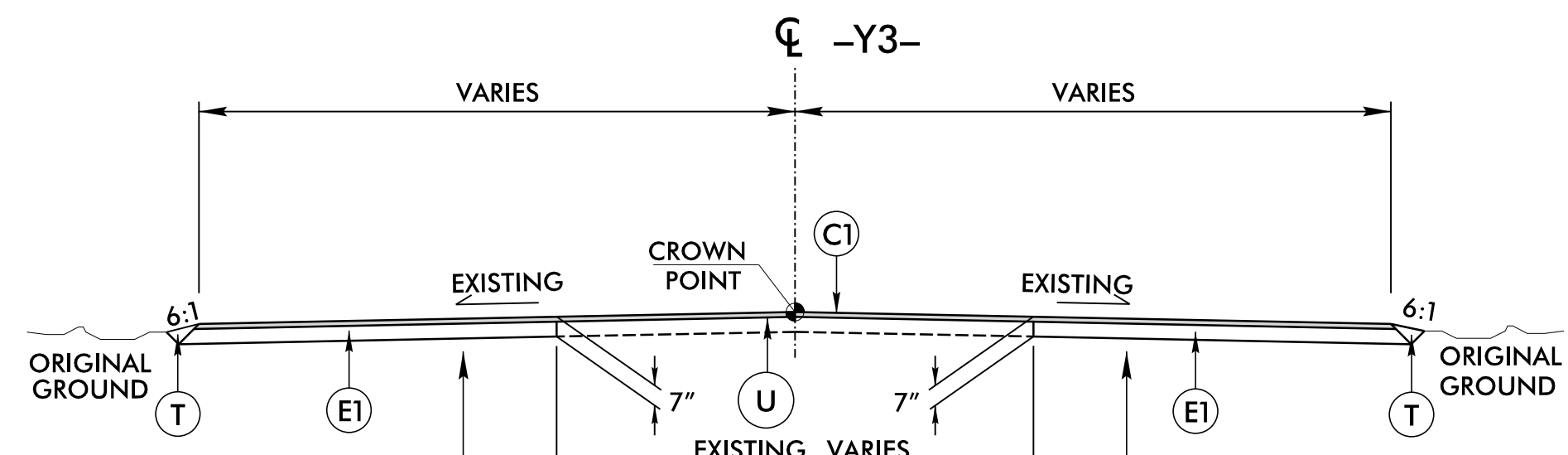
PROJECT REFERENCE NO. 1-5972	SHEET NO. 2A-5
ROADWAY DESIGN ENGINEER 	PAVEMENT DESIGN ENGINEER

**DOCUMENT NOT CONSIDERED FINAL
UNLESS ALL SIGNATURES COMPLETED**



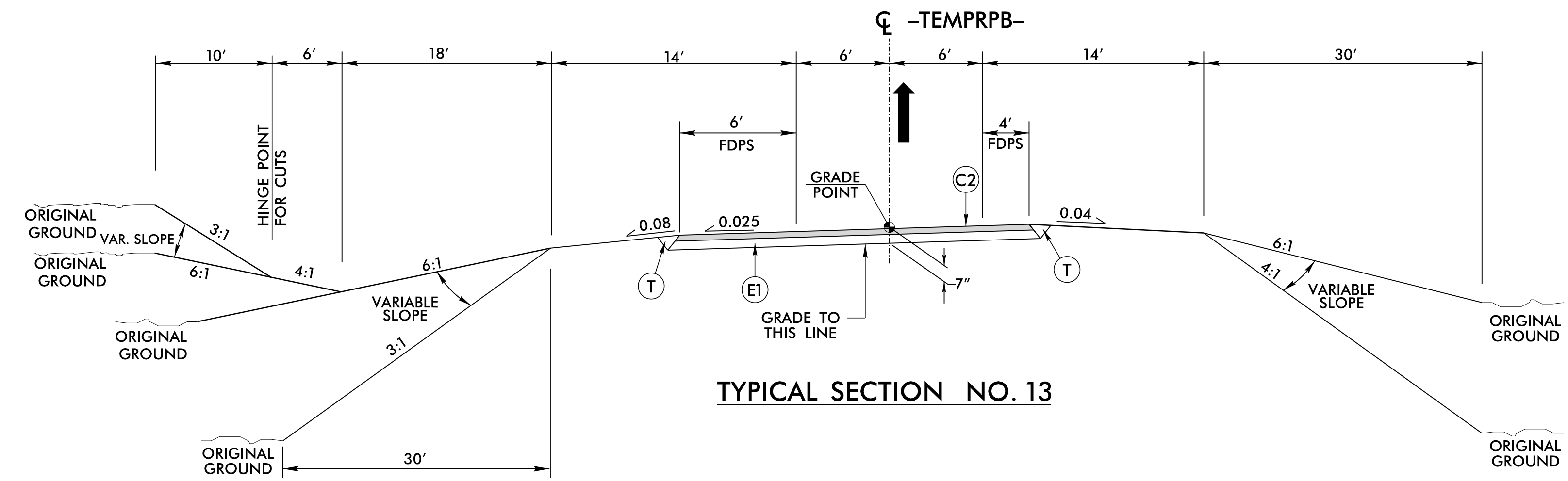
TYPICAL SECTION NO. 11
WIDEN AS NEEDED IN PLAN VIEW

USE TYPICAL SECTION NO. 10
-Y3- STA. 13+50.00 TO 23+52.50



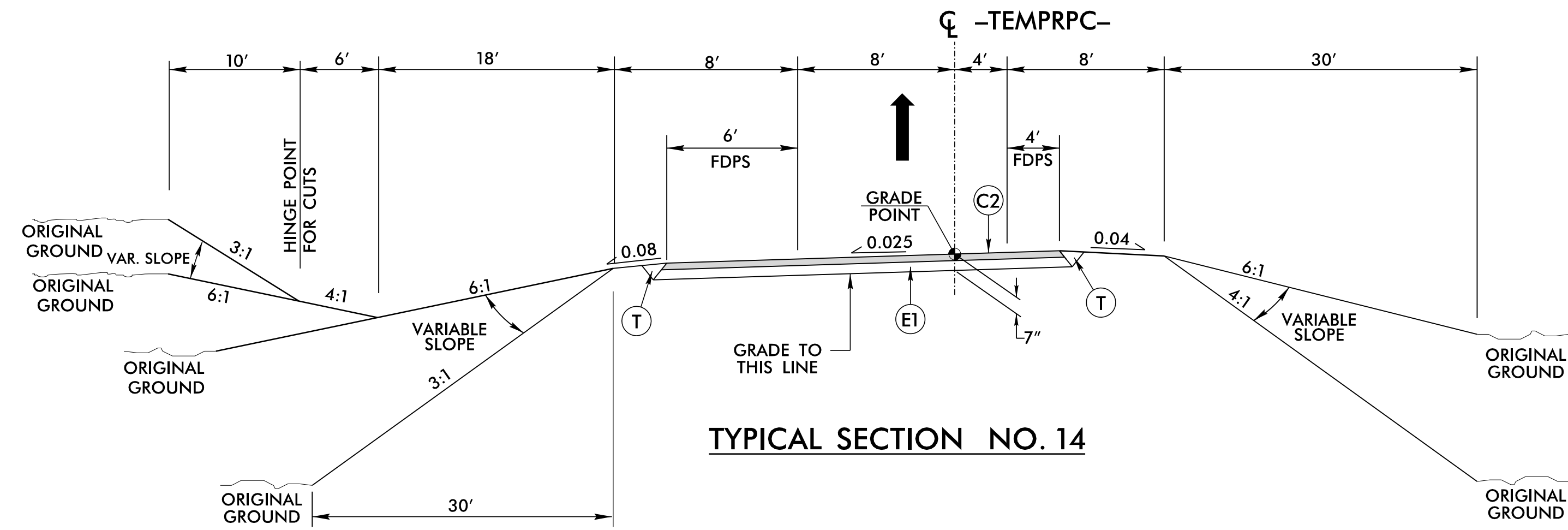
TYPICAL SECTION NO. 12
FOR "T" TURNAROUND

USE TYPICAL SECTION NO. 12
-Y3- STA. 23+52.50 TO 23+91.75



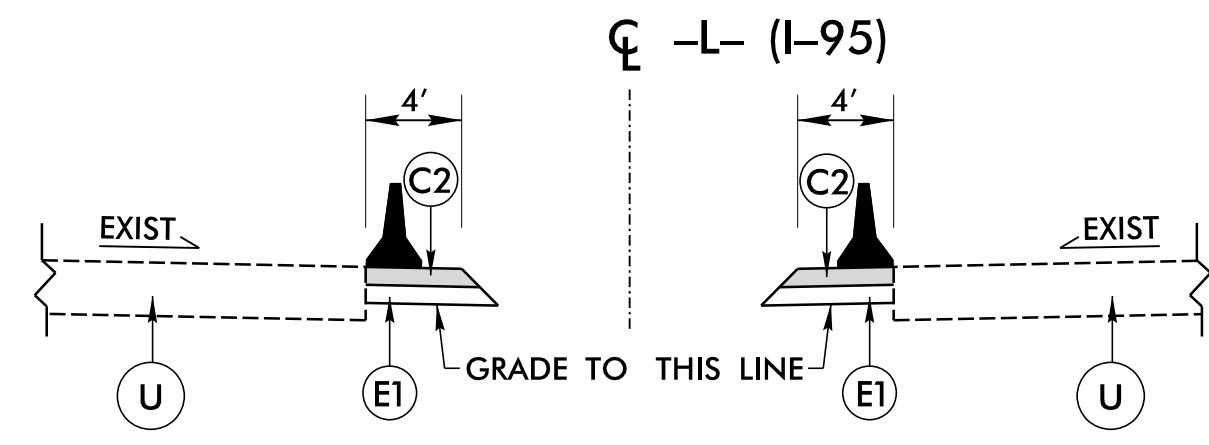
TYPICAL SECTION NO. 13

USE TYPICAL SECTION NO. 13
-TEMPRPB- STA. 10+70.00 TO 17+61.81



TYPICAL SECTION NO. 14

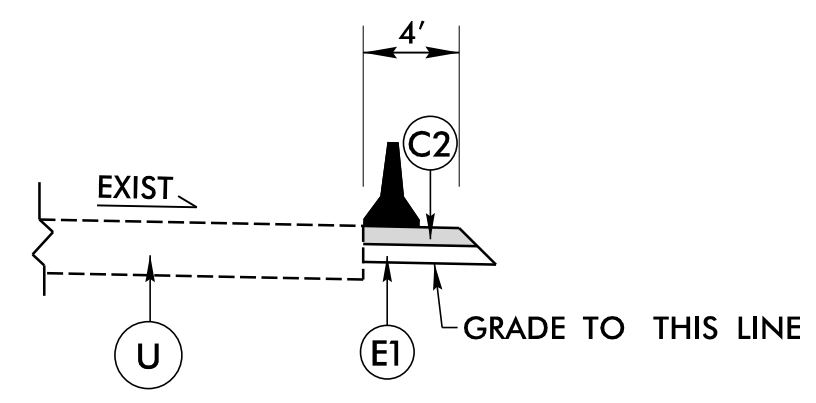
USE TYPICAL SECTION NO. 14
-TEMPRPC- STA. 10+00.00 TO 22+44.37



DETAIL 'A'

USE DETAIL 'A' (TEMPORARY PAVEMENT)
 -- STA. 24+05 TO 50+00 LT
 -- STA. 24+41 TO 50+00 RT
 -- STA. 60+63 TO 85+86 LT
 -- STA. 62+00 TO 86+31 RT

NOTE:
SEE TRANSPORTATION MANAGEMENT PLANS FOR
LOCATION AND TEMPORARY PAVEMENT TIES TO
EXISTING PAVEMENT



DETAIL 'B'

USE DETAIL 'B' (TEMPORARY PAVEMENT)
 --Y1- STA. 30+74 TO 35+82 RT
 --Y1- STA. 38+04 TO 41+82 RT

NOTE:
SEE TRANSPORTATION MANAGEMENT PLANS FOR
LOCATION AND TEMPORARY PAVEMENT TIES TO
EXISTING PAVEMENT

RK&K
 P: (919) 878-9560
 8601 Six Forks Road, Forum 1, Suite 700
 Raleigh, North Carolina 27615-3960
 NC License No. F-0112
 Engineers | Construction Managers | Planners | Scientists
 www.rkk.com
 Responsive People | Creative Solutions

I:\9\2023
 RA\Final\Proj\15972-Rd\j_tup.dgn
 sheet