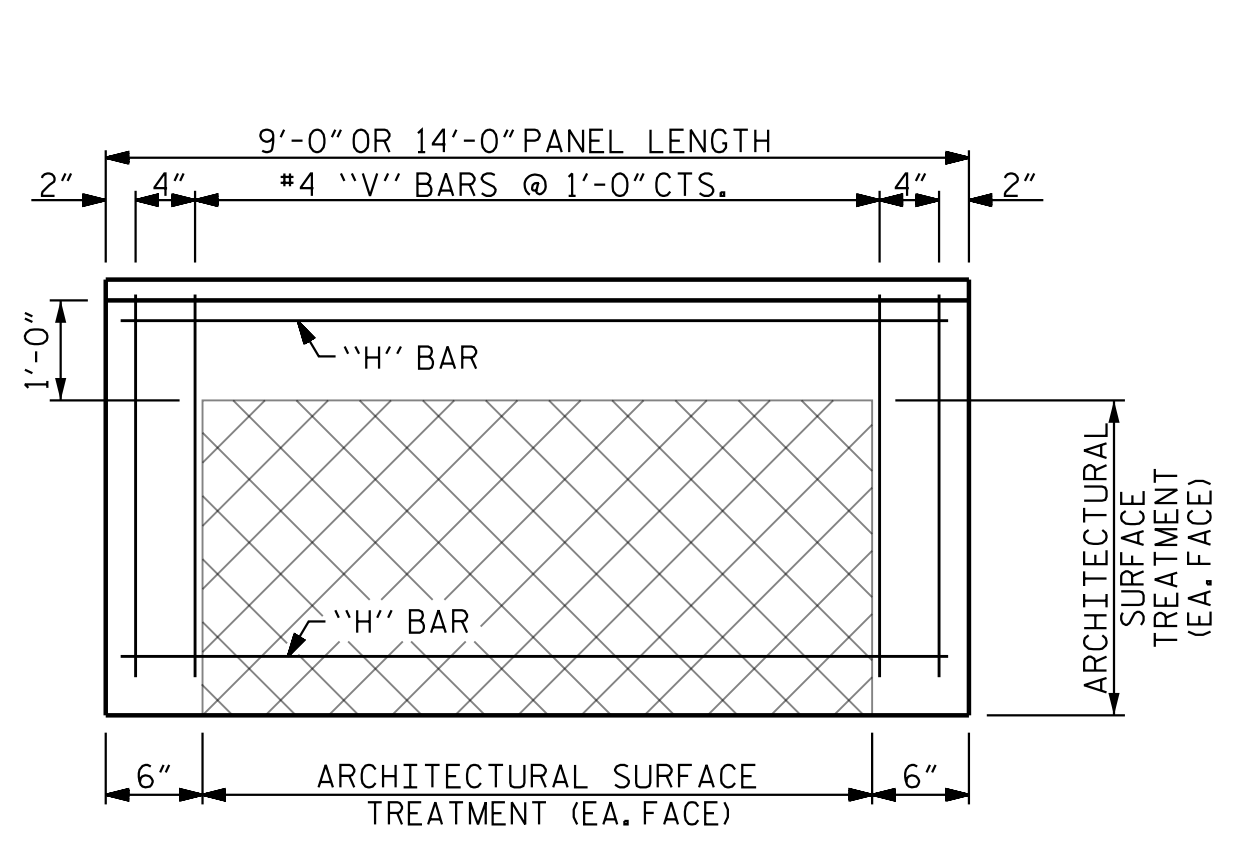
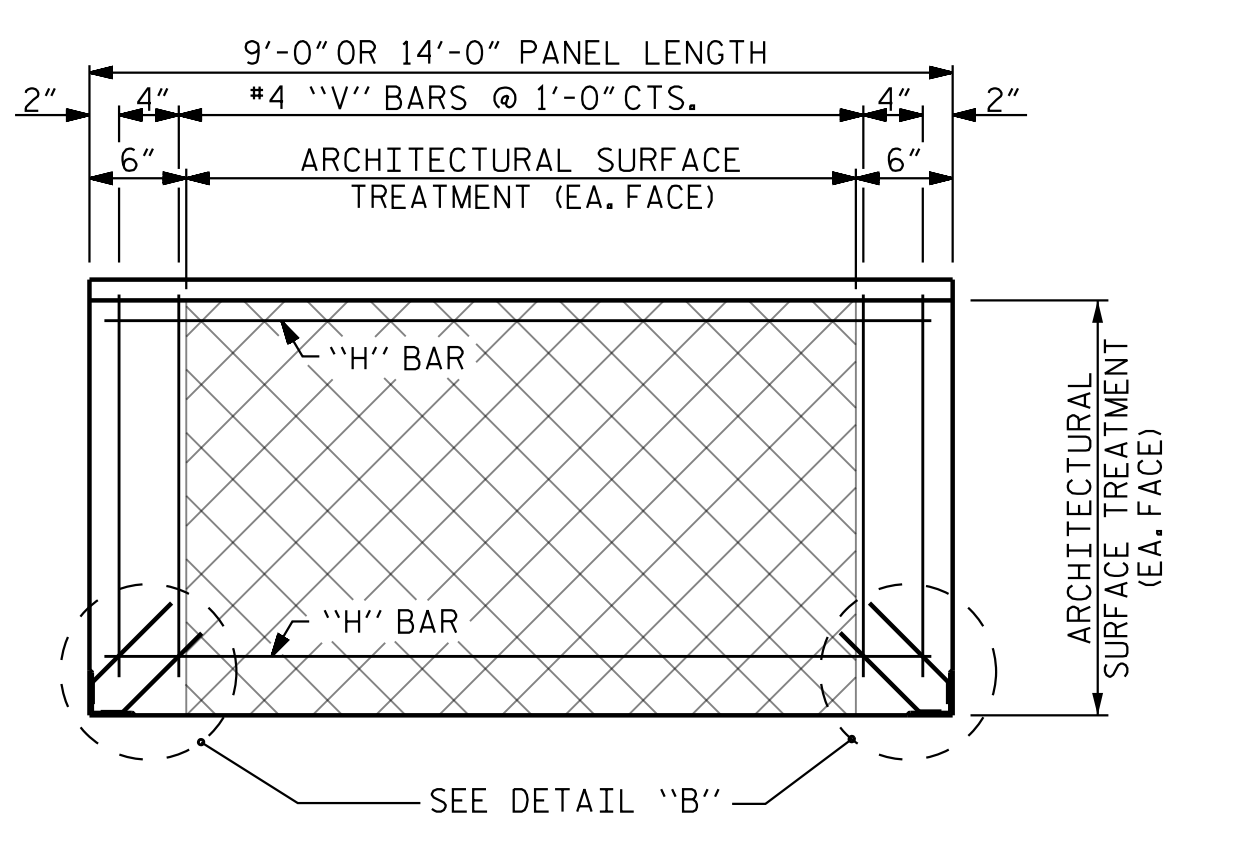


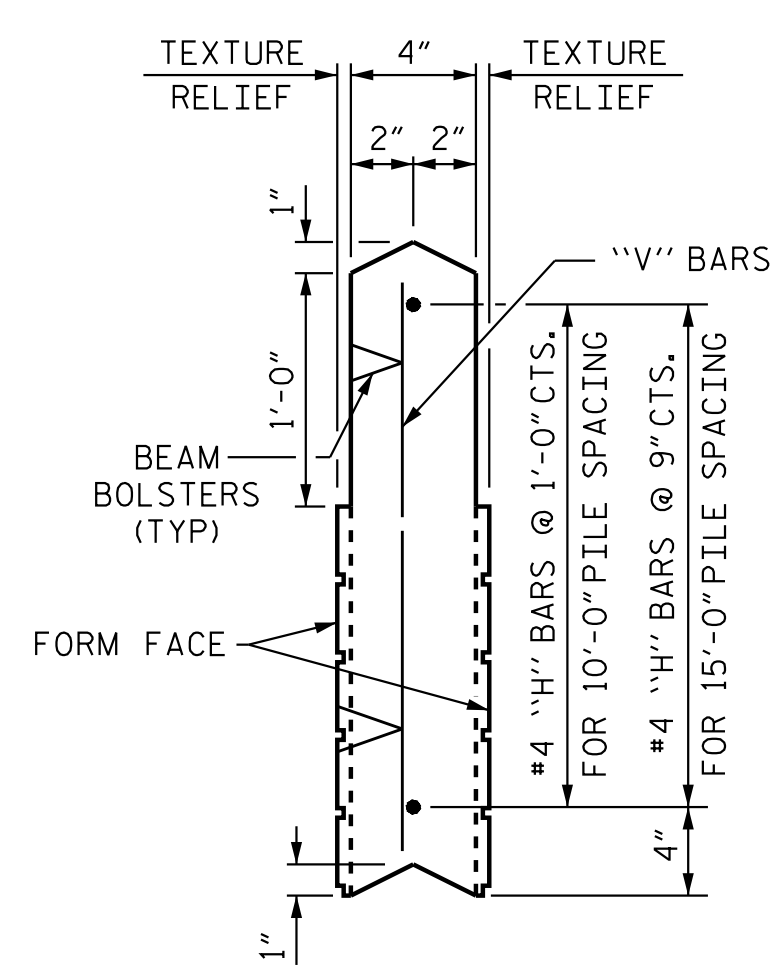
5/14/2023 5:04:07 PM jgeille  
 U:\Structures\Noise Walls\R3833C\_SMU\_SBW\_NW2.dgn



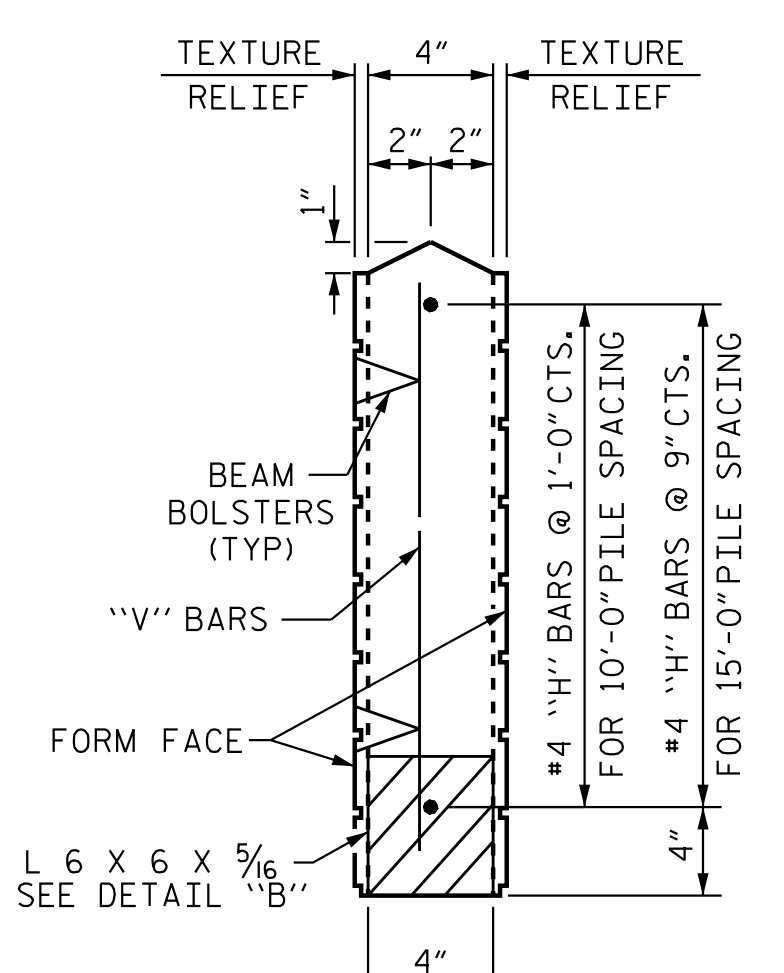
**FRONT ELEVATION OF UPPER PRECAST PANEL**



**FRONT ELEVATION OF BOTTOM PRECAST PANEL**

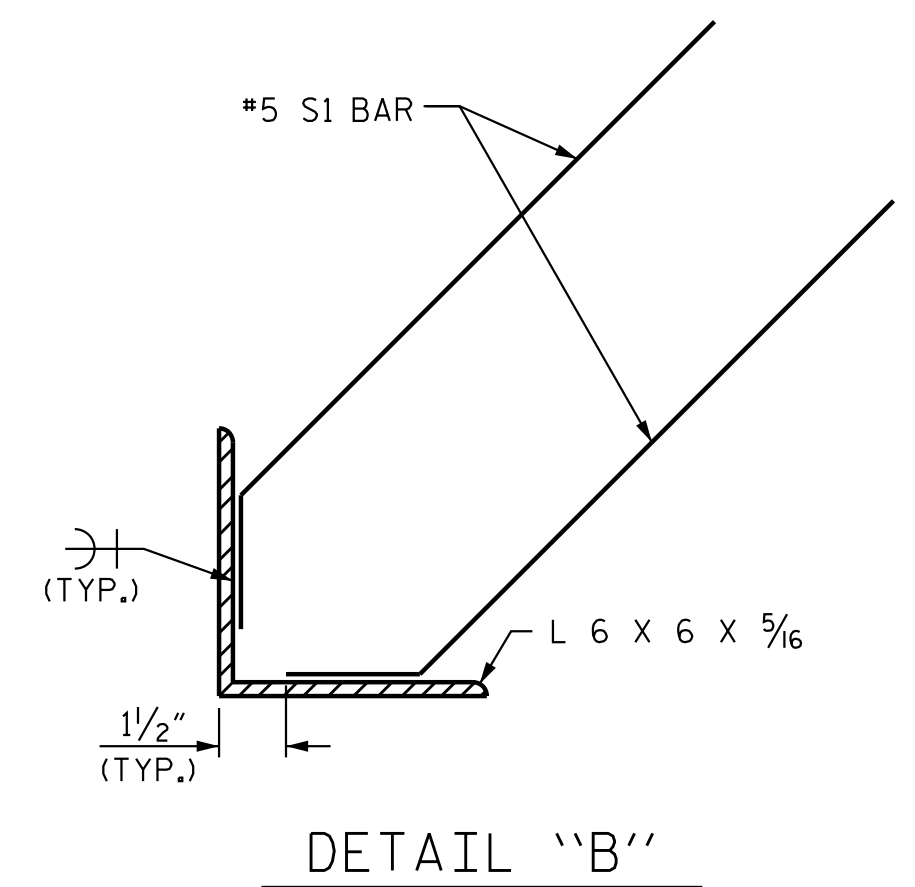


**UPPER PANEL**



**BOTTOM PANEL**

**SECTION THROUGH PRECAST PANELS**



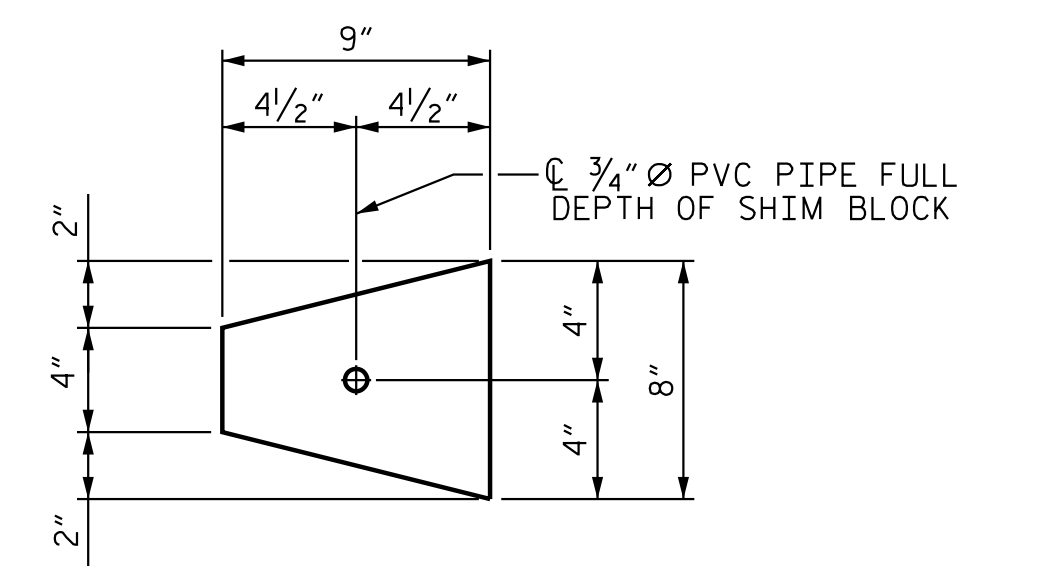
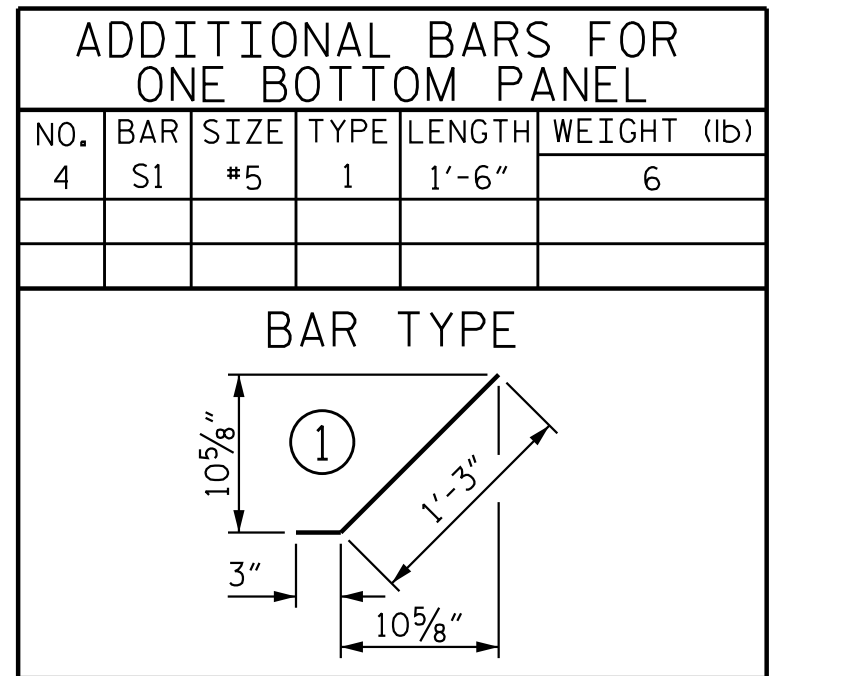
**DETAIL "B"**

**QUANTITIES FOR ONE PRECAST PANEL (FOR 10'-0" PILE SPACING)**

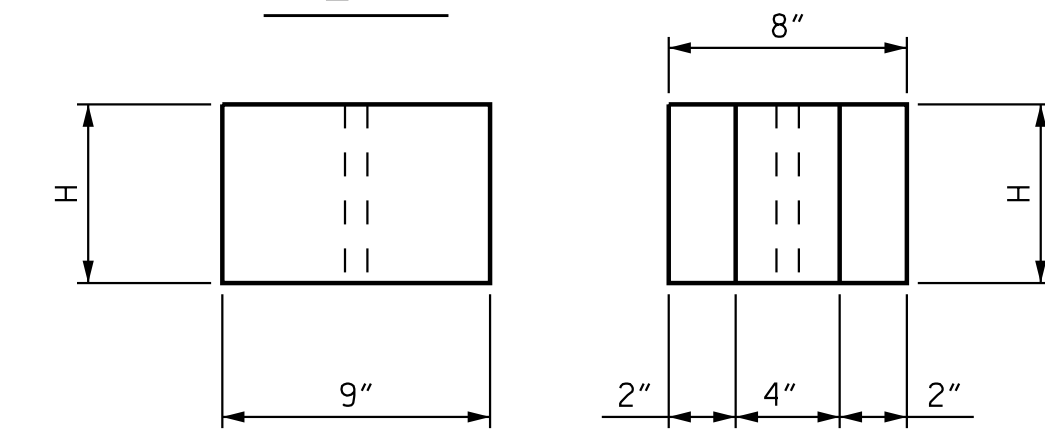
PANEL HEIGHT	CLASS AA CONCRETE C.Y.	BAR TYPES											
		HORIZONTAL						VERTICAL					
		NO.	BAR	SIZE	TYPE	LENGTH	WEIGHT (lb)	NO.	BAR	SIZE	TYPE	LENGTH	WEIGHT (lb)
2'-0"	0.22	3	H1	#4	STR	8'-8"	17	11	V1	#4	STR	1'-8"	12
3'-0"	0.33	4	H2	#4	STR	8'-8"	23	11	V2	#4	STR	2'-8"	20
4'-0"	0.44	5	H3	#4	STR	8'-8"	29	11	V3	#4	STR	3'-8"	27

**QUANTITIES FOR ONE PRECAST PANEL (FOR 15'-0" PILE SPACING)**

PANEL HEIGHT	CLASS AA CONCRETE C.Y.	BAR TYPES											
		HORIZONTAL						VERTICAL					
		NO.	BAR	SIZE	TYPE	LENGTH	WEIGHT (lb)	NO.	BAR	SIZE	TYPE	LENGTH	WEIGHT (lb)
3'-0"	0.52	5	H1	#4	STR	13'-8"	46	16	V1	#4	STR	2'-8"	29
4'-0"	0.69	6	H2	#4	STR	13'-8"	55	16	V2	#4	STR	3'-8"	39
5'-0"	0.86	7	H3	#4	STR	13'-8"	64	16	V3	#4	STR	4'-8"	50
6'-0"	1.04	8	H4	#4	STR	13'-8"	73	16	V4	#4	STR	5'-8"	61



**PLAN**

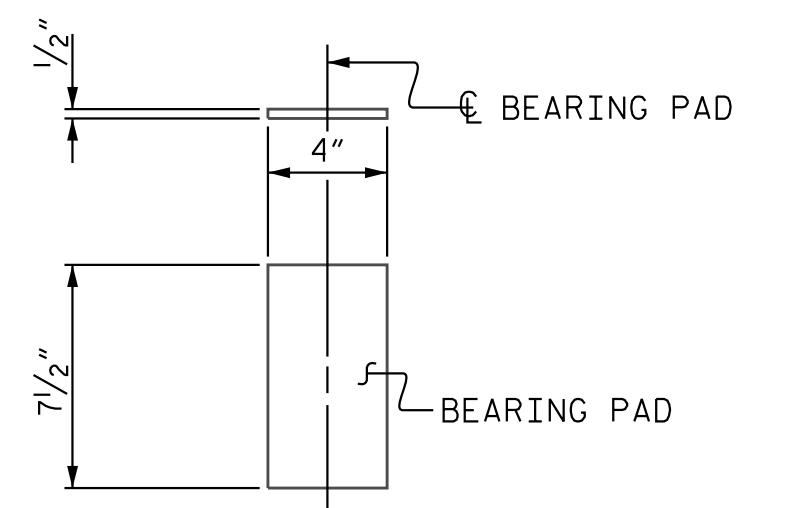


**ELEVATION**

**END**

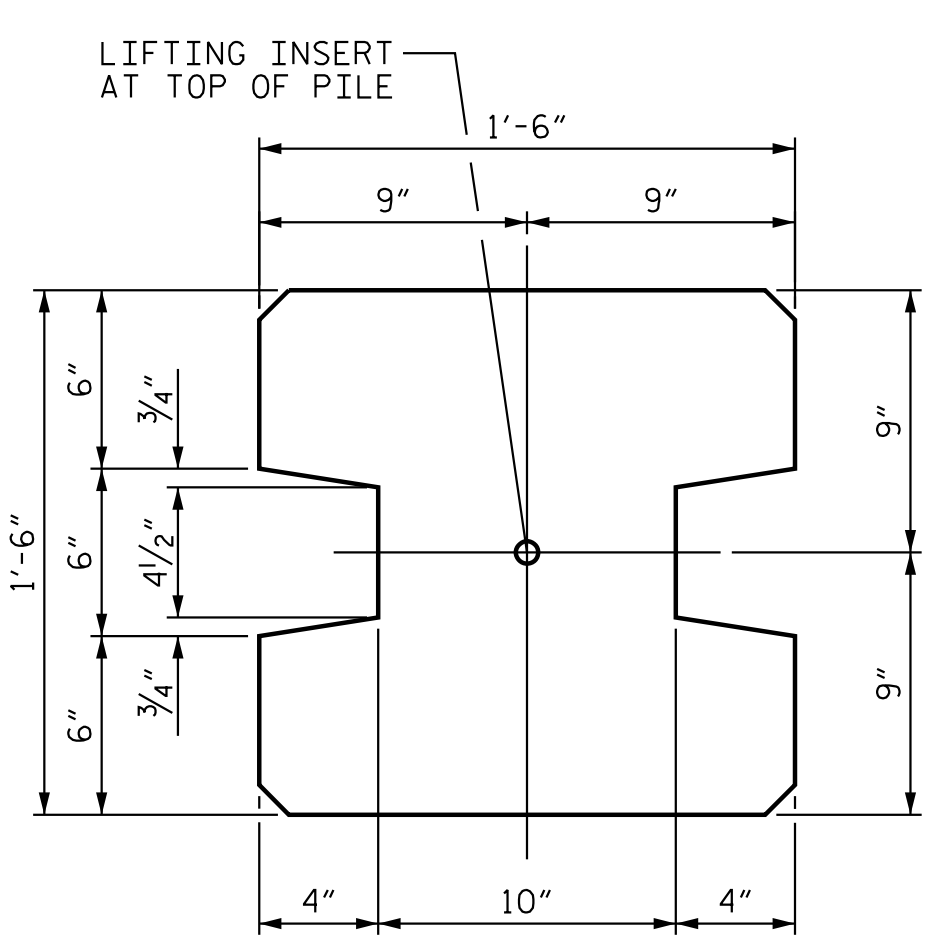
**CONCRETE SHIM BLOCK**

H = 3', 6" or 1'-0"

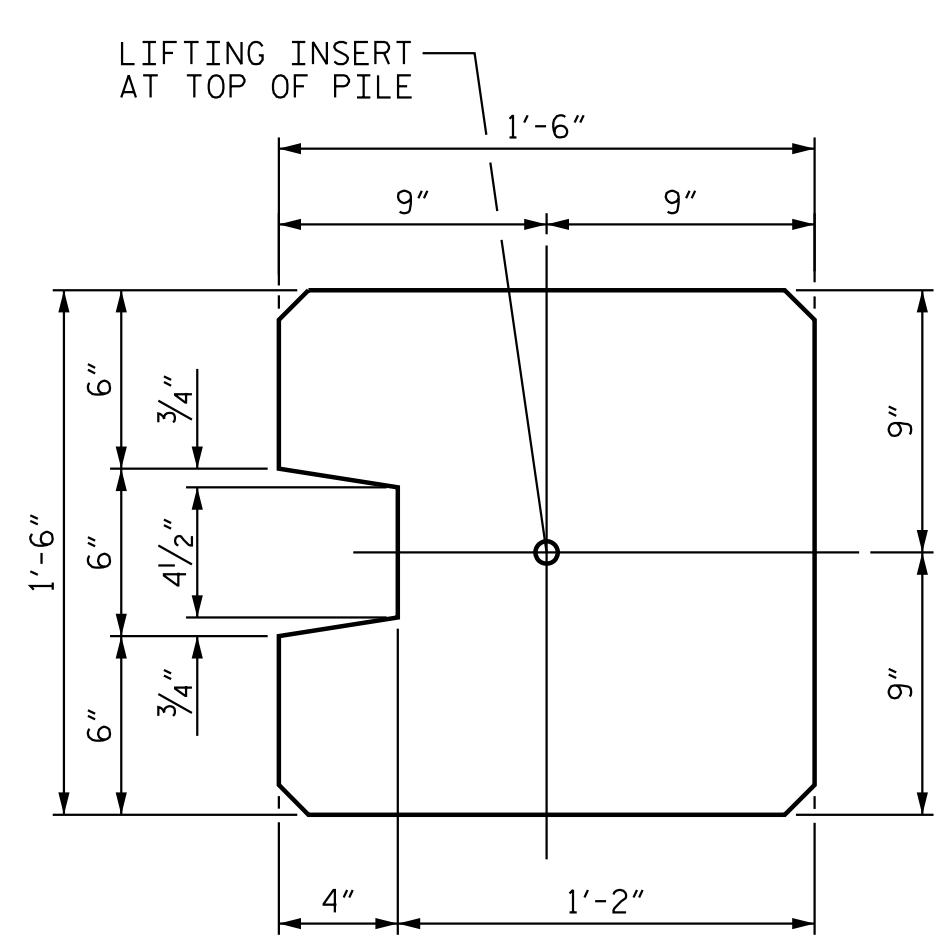


**ELASTOMERIC BEARING DETAILS**

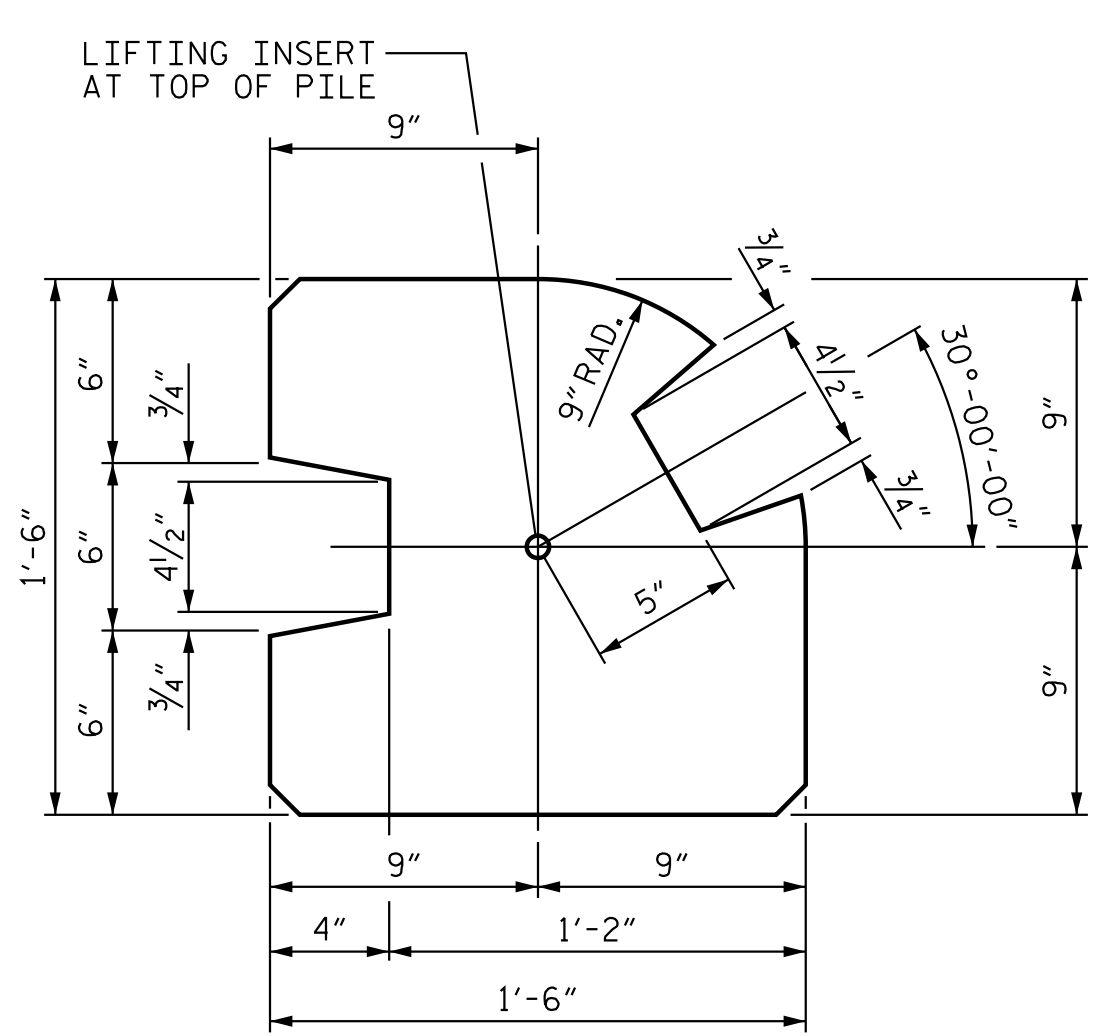
ELASTOMER IN BEARINGS SHALL BE 50 DUROMETER HARDNESS.



**TYPE - I**  
(AREA = 1.9444 SQ. FT.)



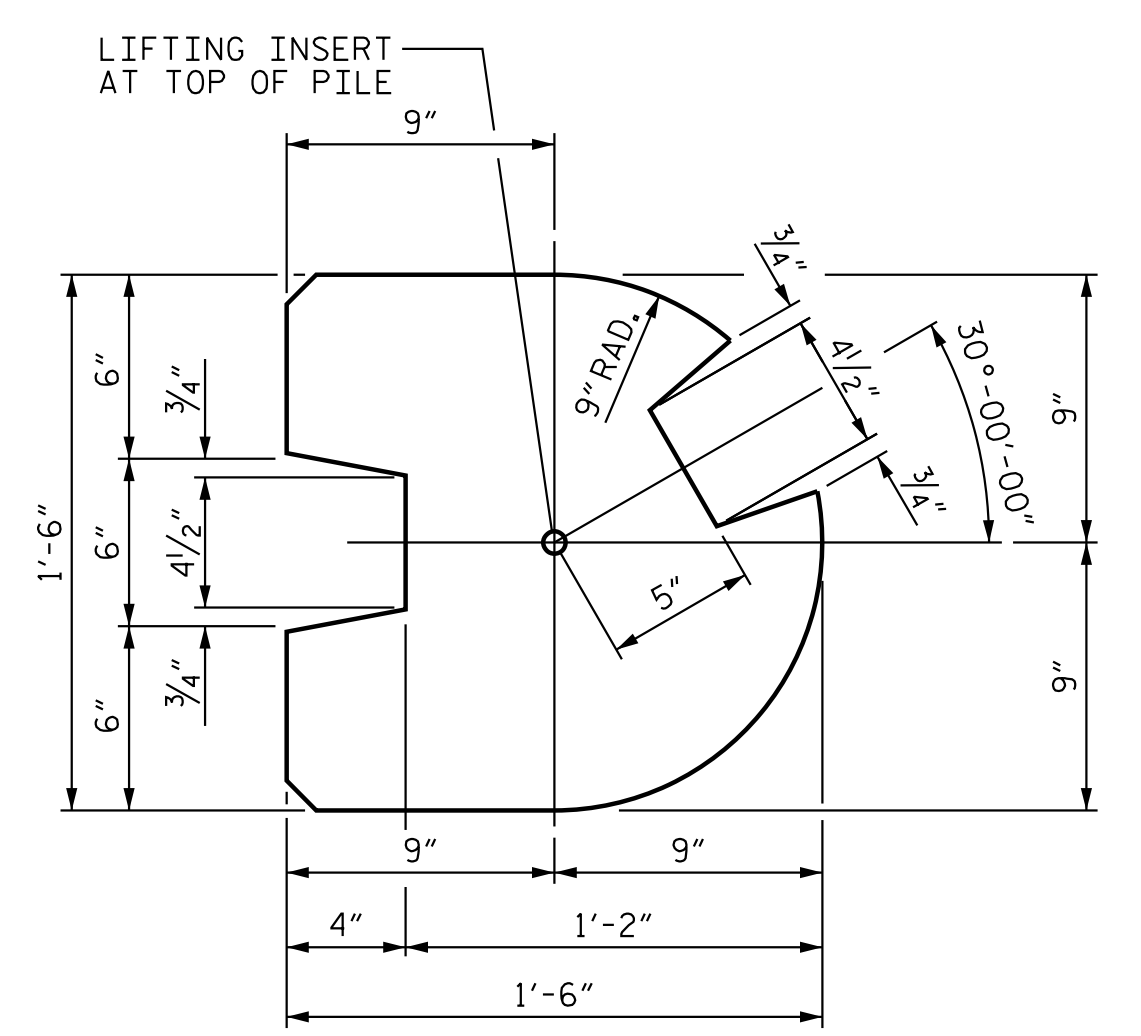
**TYPE - II**  
(AREA = 2.0903 SQ. FT.)



**TYPE - III**  
(AREA = 1.8336 SQ. FT.)

**PILE DETAIL**

(ALL CORNERS TO BE CHAMFERED 1")



**TYPE - III (ALT.)**  
(AREA = 1.7163 SQ. FT.)

PROJECT NO. R-3833C  
IREDELL COUNTY  
 STATION: 42+50.63 -L-

SHEET 2 OF 3

STATE OF NORTH CAROLINA  
 DEPARTMENT OF TRANSPORTATION  
 RALEIGH

**STANDARD SOUND BARRIER WALL DETAILS**

REVISIONS						SHEET NO.
NO.	BY:	DATE:	NO.	BY:	DATE:	TOTAL SHEETS
1			3			3
2			4			

DRAWN BY: J. B. GETILE DATE: 05/11/2021  
 CHECKED BY: M. B. ISENHOUR DATE: 11/10/2021  
 DESIGN ENGINEER OF RECORD: M. B. ISENHOUR DATE: 05/04/23

Stantec Consulting Services Inc.  
 801 Jones Franklin Road  
 Suite 300  
 Raleigh, NC 27806  
 Tel. (919) 851-6866  
 Fax. (919) 851-7024  
 www.stantec.com  
 License No. F-0672

DOCUMENT NOT CONSIDERED FINAL UNLESS ALL SIGNATURES COMPLETED

DRAWN BY :	MAA	6/11	REV. 1/15/14	RWW/TMG
CHECKED BY :	CM	6/11	REV. 10/17	MAA/THC
			REV. 5/18	MAA/THC