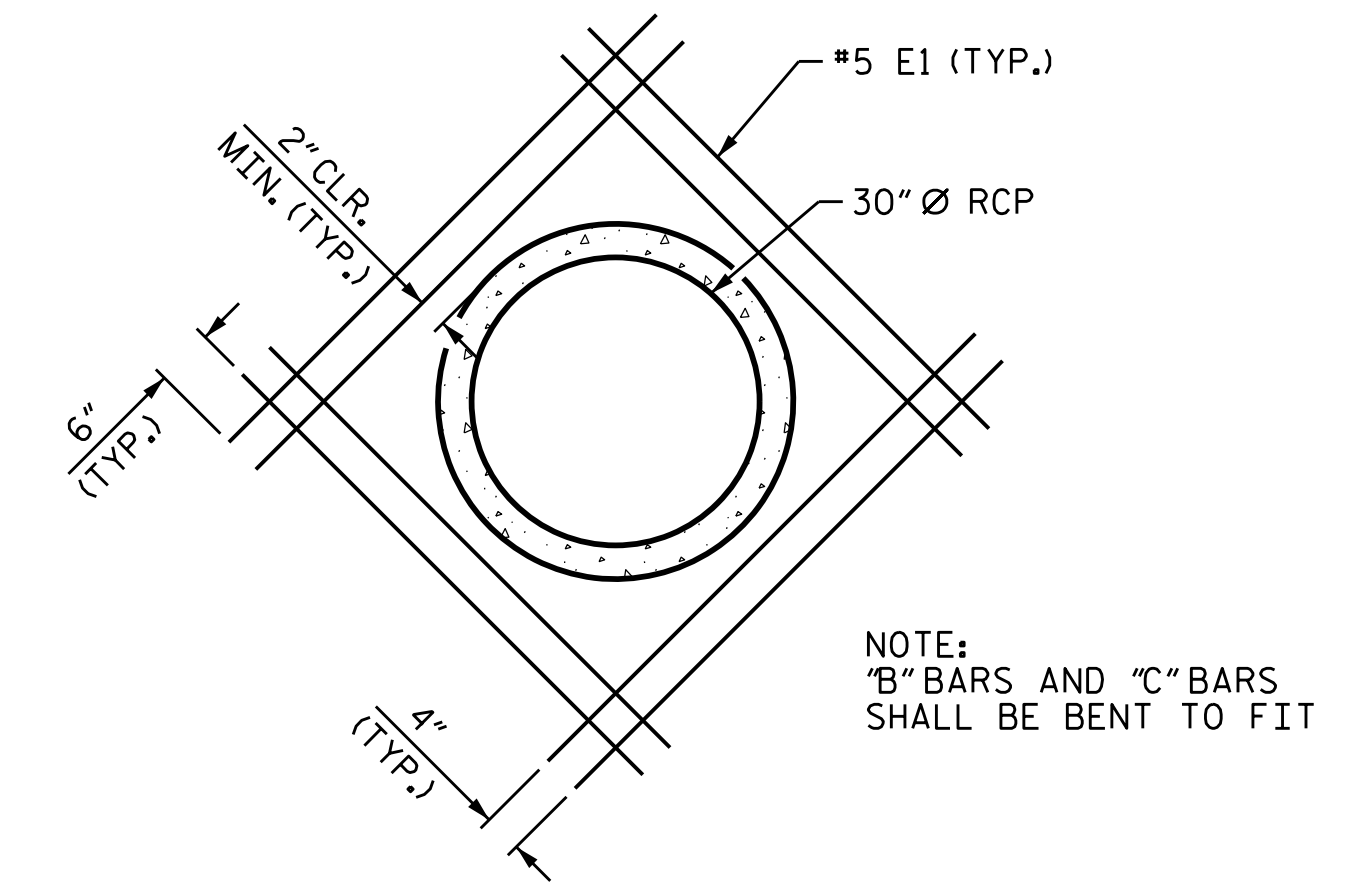
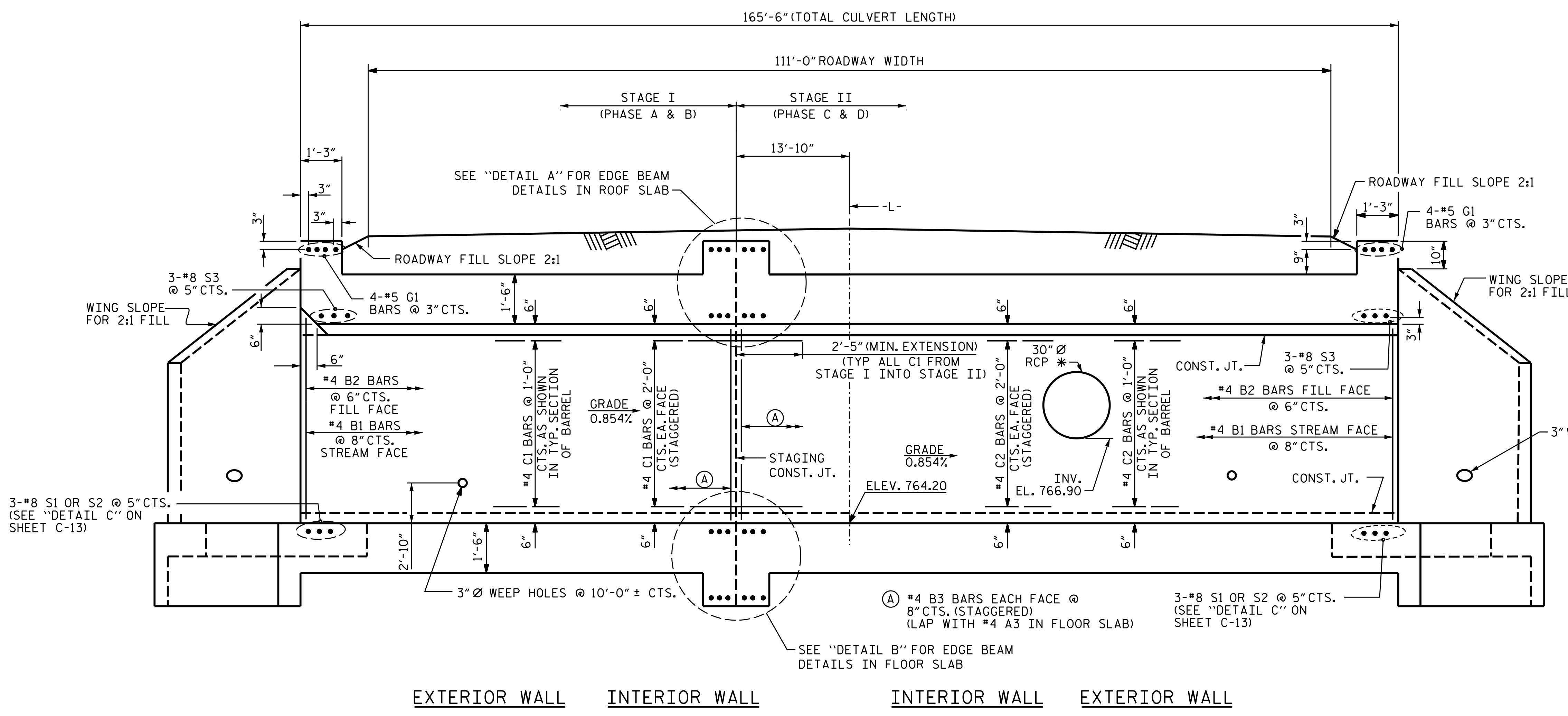


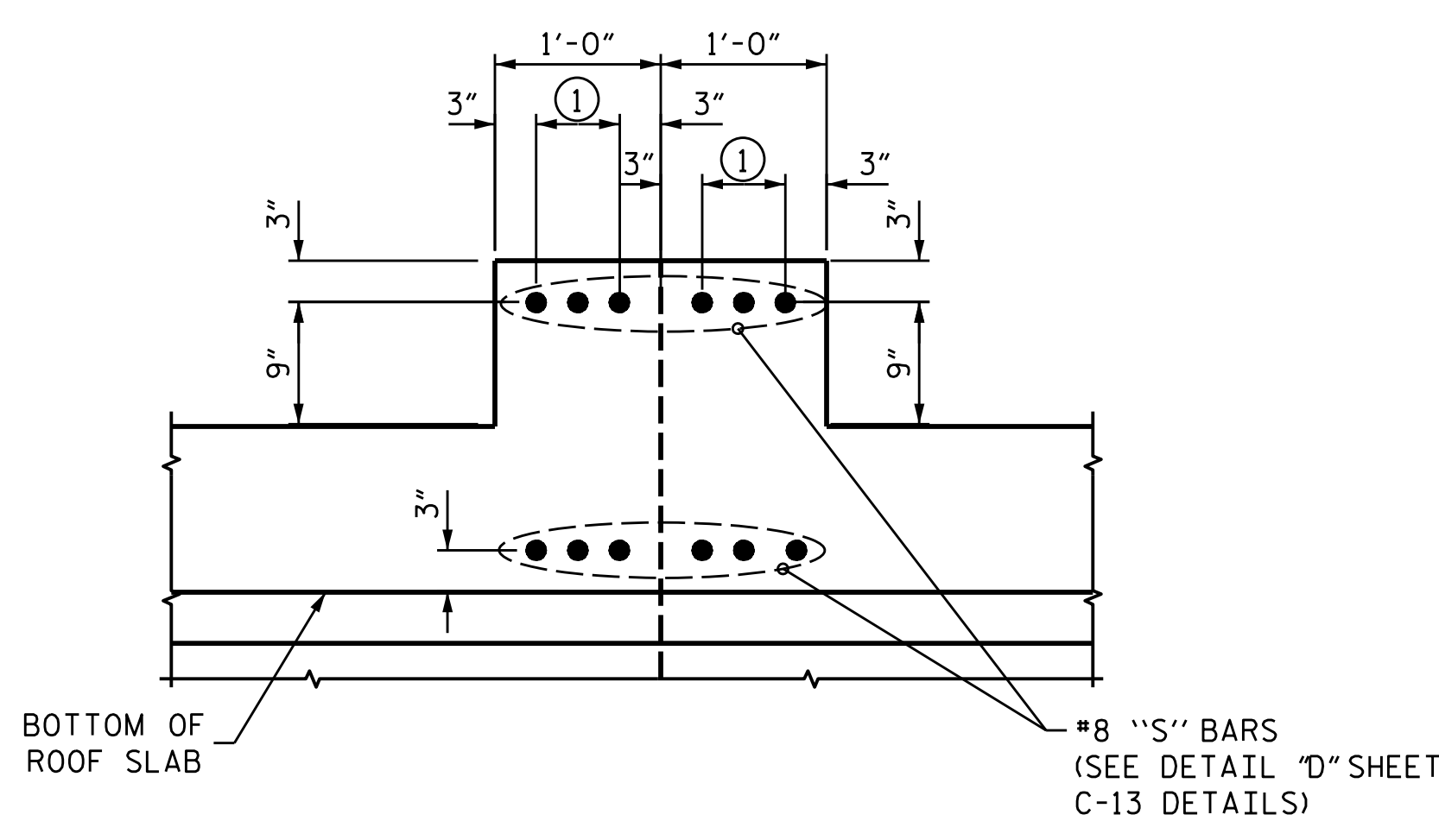
5/14/2023 4:00:56 PM jgelle
 U:\Structures\Culvert\Drawings\38333C_SMLL_CUL_004.dgn



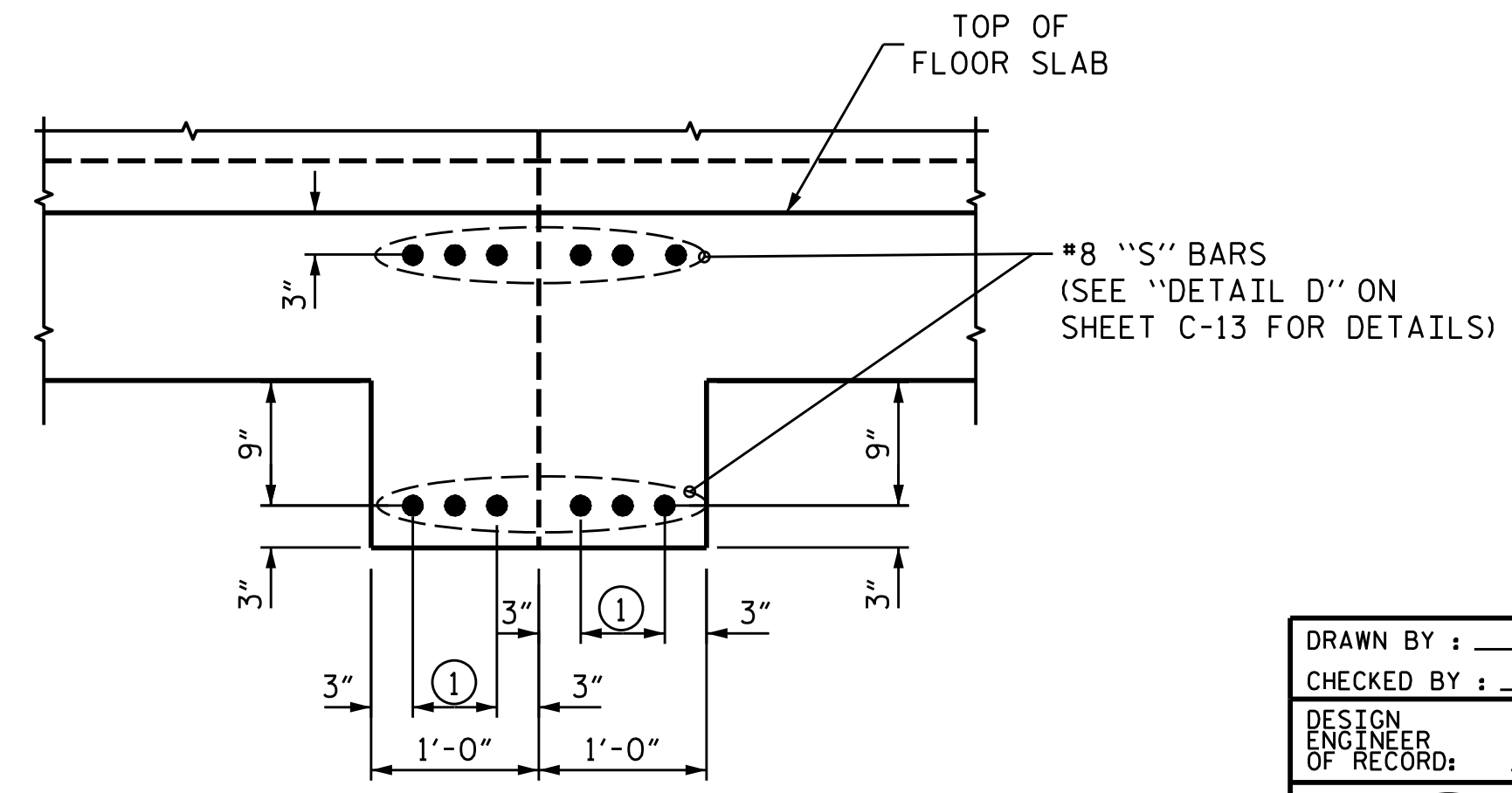
CULVERT SECTION NORMAL TO ROADWAY

* SEE "DETAILS OF REINFORCING AROUND 30" RCP" FOR REINFORCING DETAILS, SEE SHEET C-03 FOR PLAN VIEW LOCATION OF 30" RCP.

DETAIL OF REINFORCING AROUND 30" RCP



DETAIL A
 Ⓢ 2 SPACES @ 3" CTS.



DETAIL B
 Ⓢ 2 SPACES @ 3" CTS.

PROJECT NO. R-3833C
 IREDELL COUNTY
 STATION: 36+00.33 -L-

DRAWN BY: J. B. GETILE DATE: 08/01/19
 CHECKED BY: M. B. ISENHOUR DATE: 02/06/20
 DESIGN ENGINEER OF RECORD: M. B. ISENHOUR DATE: 05/04/23



STATE OF NORTH CAROLINA
 DEPARTMENT OF TRANSPORTATION
 RALEIGH

DOUBLE 12 FT. X 9 FT. CONCRETE BOX CULVERT 65°00'00" SKEW

Stantec Consulting Services Inc.
 801 Jones Franklin Road
 Suite 300
 Raleigh, NC 27606
 Tel. (919) 851-6866
 Fax. (919) 851-7024
 www.stantec.com
 License No. F-0672

DOCUMENT NOT CONSIDERED FINAL UNLESS ALL SIGNATURES COMPLETED

REVISIONS						SHEET NO.
NO.	BY:	DATE:	NO.	BY:	DATE:	C-04
1			3			TOTAL SHEETS 16
2			4			