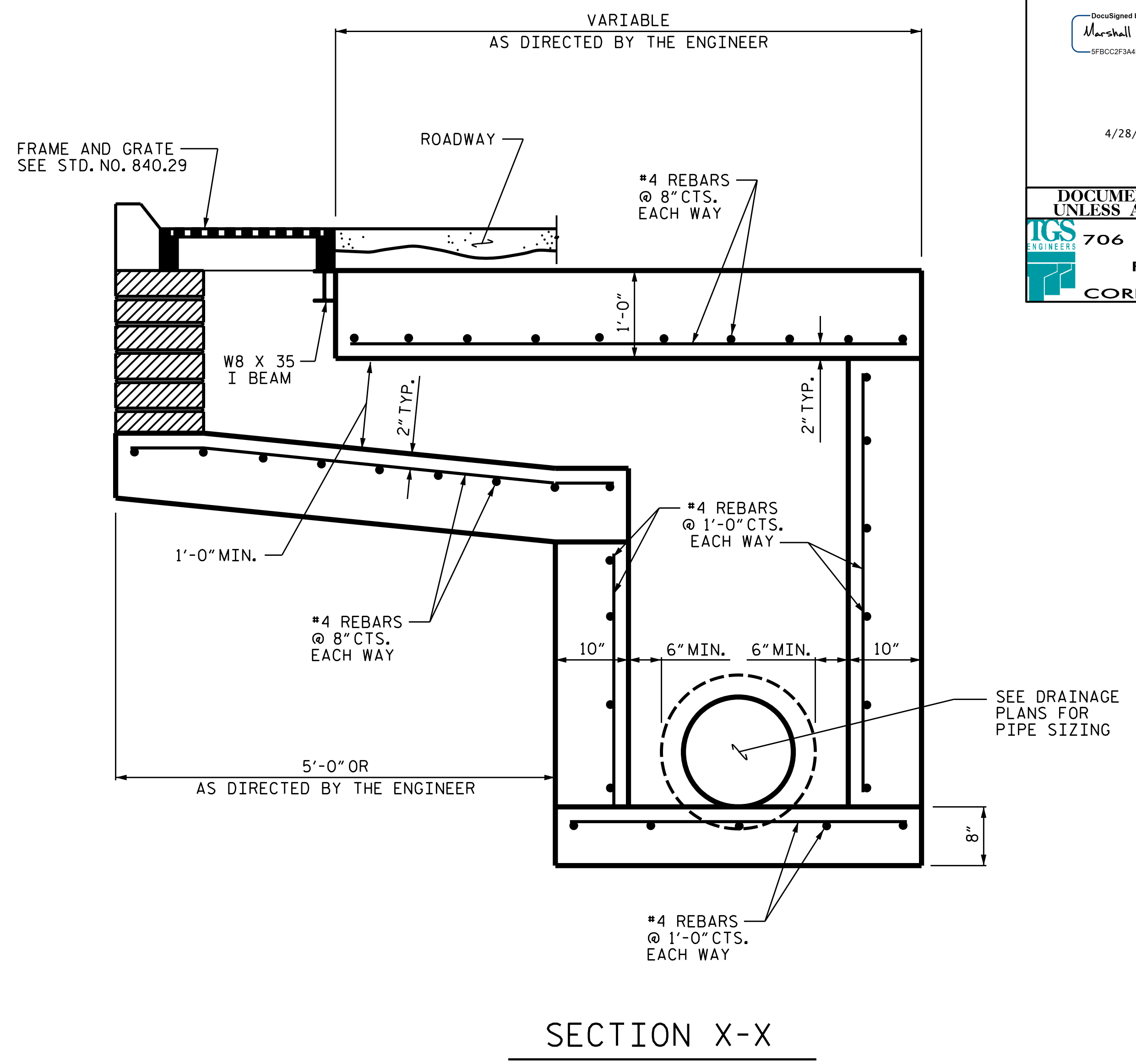
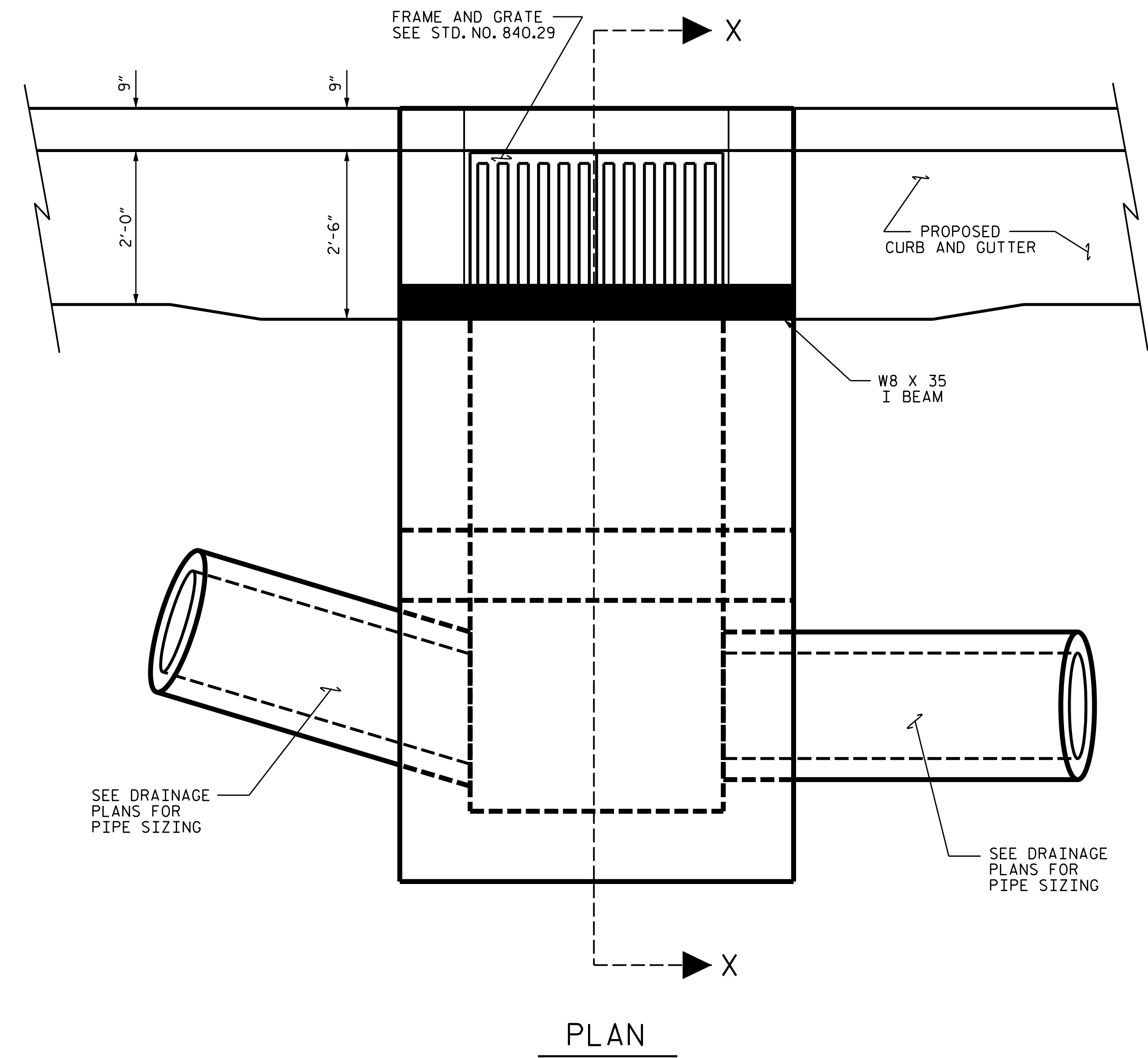




DOCUMENT NOT CONSIDERED FINAL
UNLESS ALL SIGNATURES COMPLETED

TGS ENGINEERS
706 HILLSBOROUGH STREET
SUITE 200
RALEIGH, NC 27603
PH (919) 773-8887
CORP. LICENSE NO.: C-0275



OFFSET 2GI W/ SLAB LID

NOTES:

MORTAR JOINTS 1/2" TO 1/4" THICK.

USE CLASS "B" CONCRETE THROUGHOUT.

USE BRICK OR CONCRETE BLOCK WHICH COMPLIES WITH THE REQUIREMENTS OF SECTION 840 OF THE STANDARD SPECIFICATIONS.

CHAMFER ALL EXPOSED CORNERS 1".

DRAWING NOT TO SCALE.

DRAWN BY : STM DATE : 03/23
CHECKED BY : MGC DATE : 03/23