

8/17/99

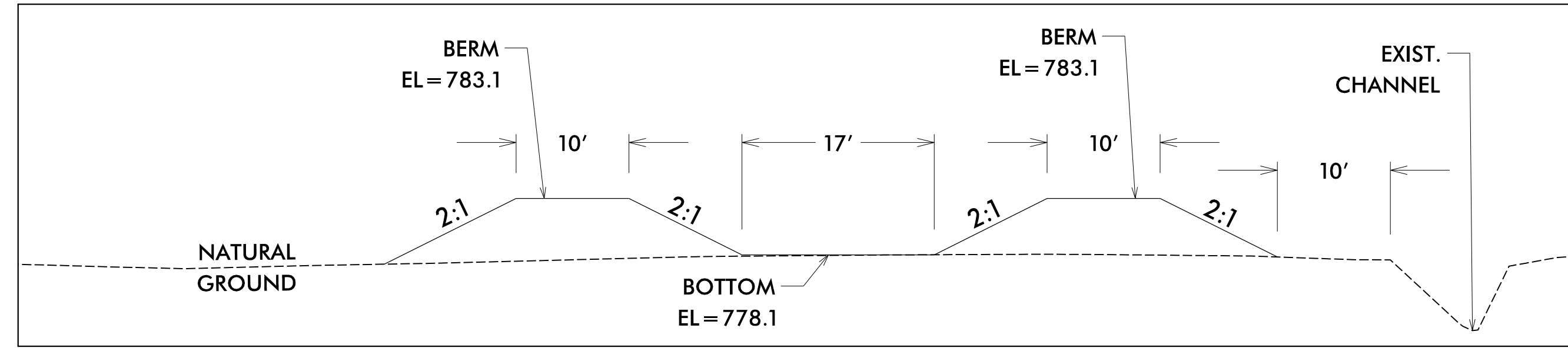
DRY DETENTION BASIN

SHEET 3 OF 5

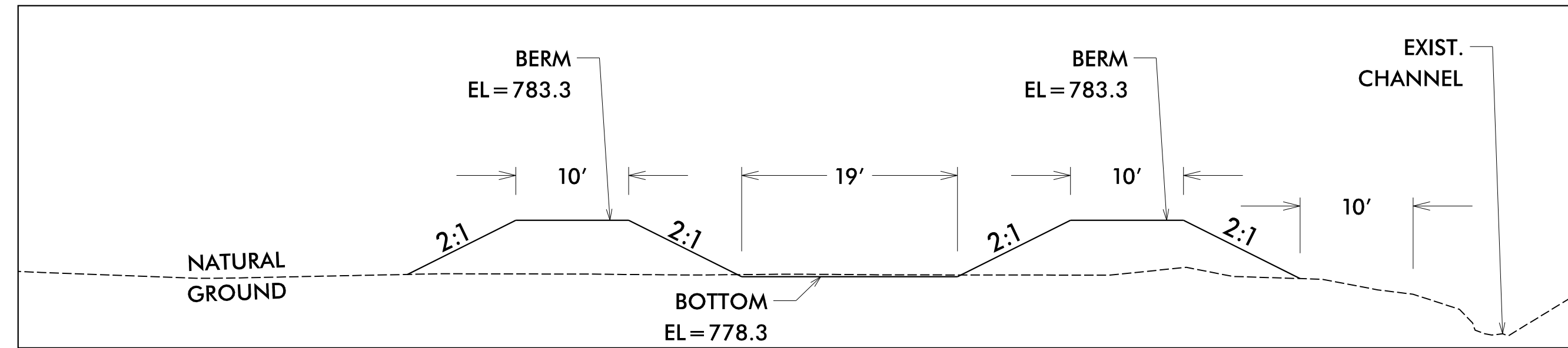
1" = 10'

CROSS SECTIONS

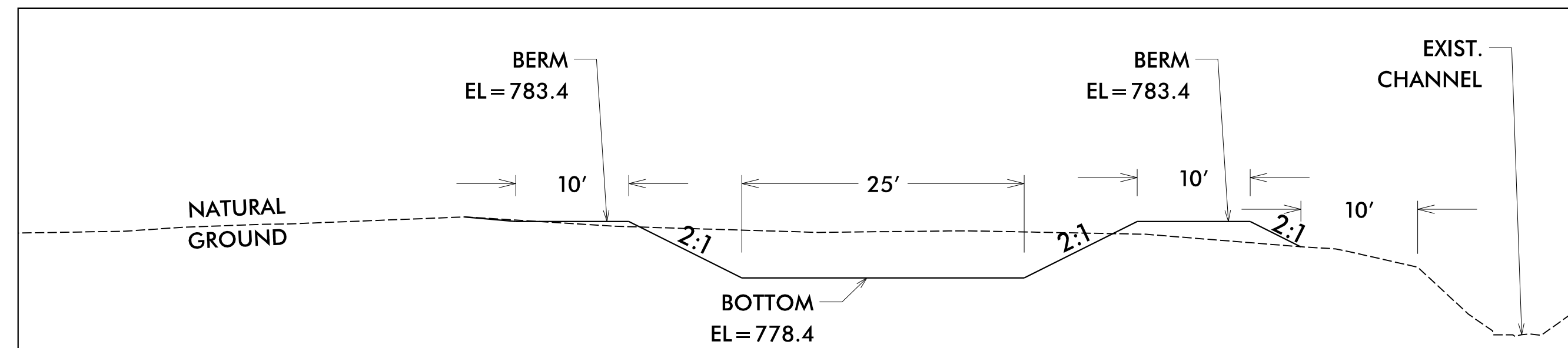
PROJECT REFERENCE NO. <i>R-3833C</i>	SHEET NO. <i>2D-12</i>
RW SHEET NO.	
HYDRAULICS ENGINEER	
DOCUMENT NOT CONSIDERED FINAL UNLESS ALL SIGNATURES COMPLETED	



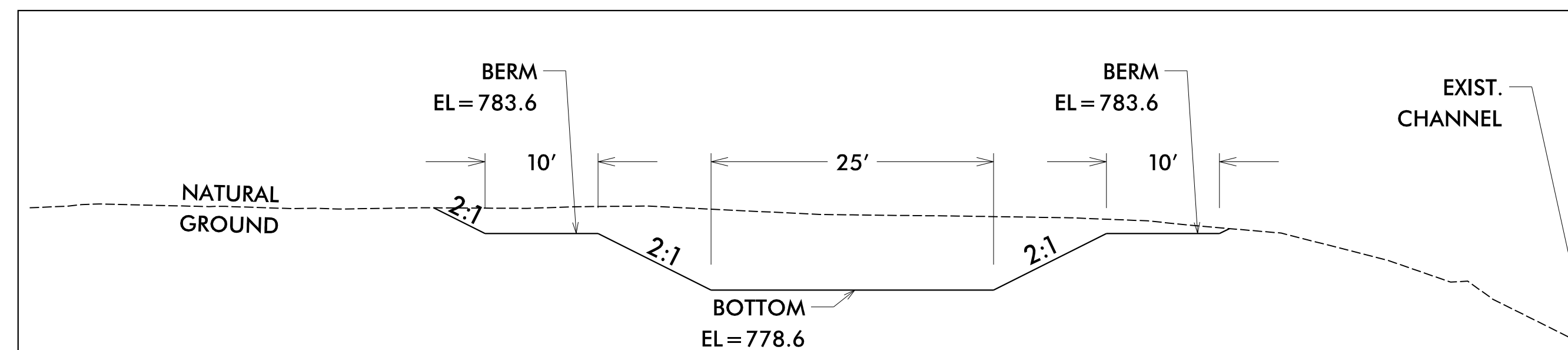
SECTION A-A



SECTION B-B



SECTION C-C



SECTION D-D

2/15/2022
X:\WORK\2022\R-3833C\Hydraulics\Pond\IR-3833C_Pond_PSH.dgn
User: bhenegar