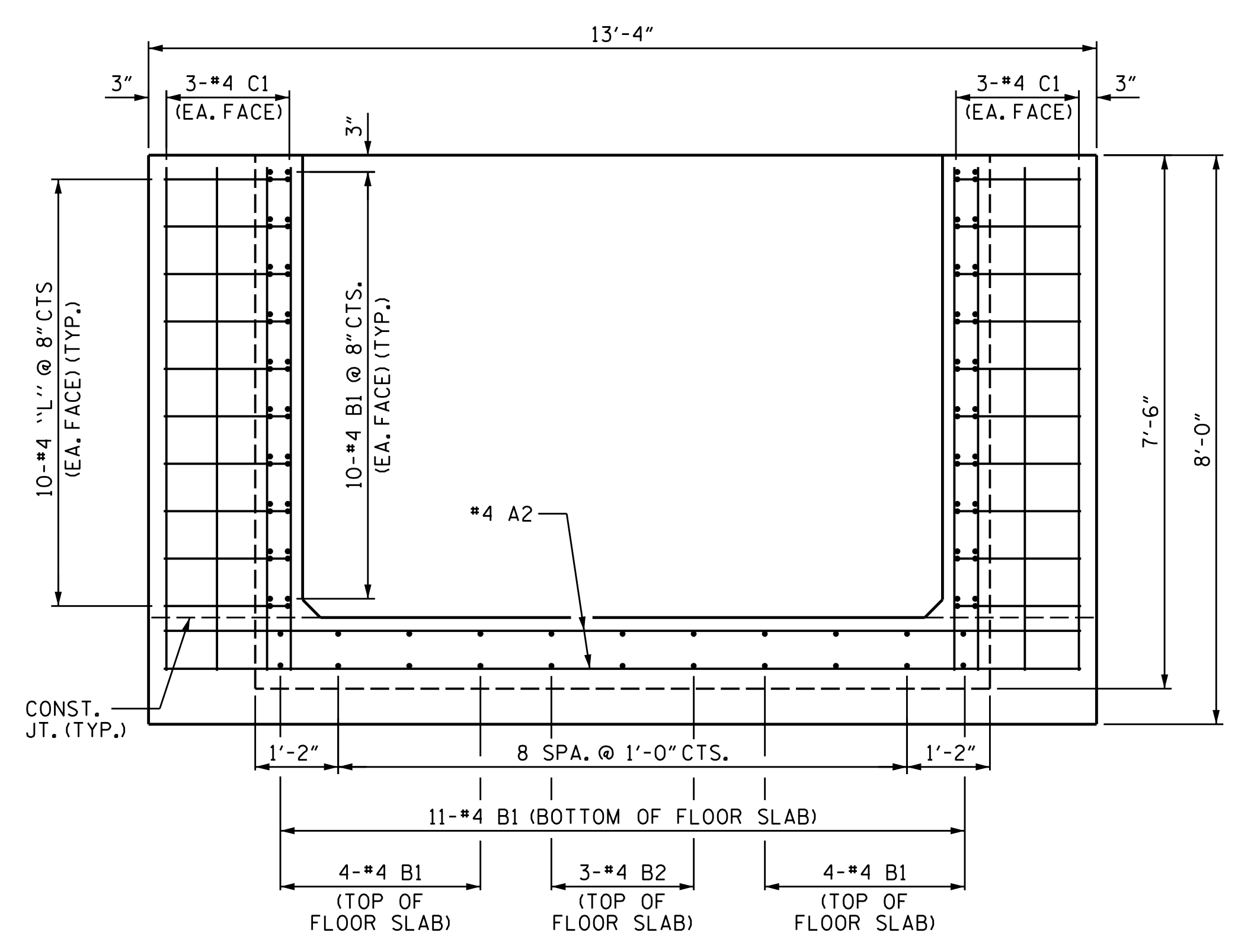


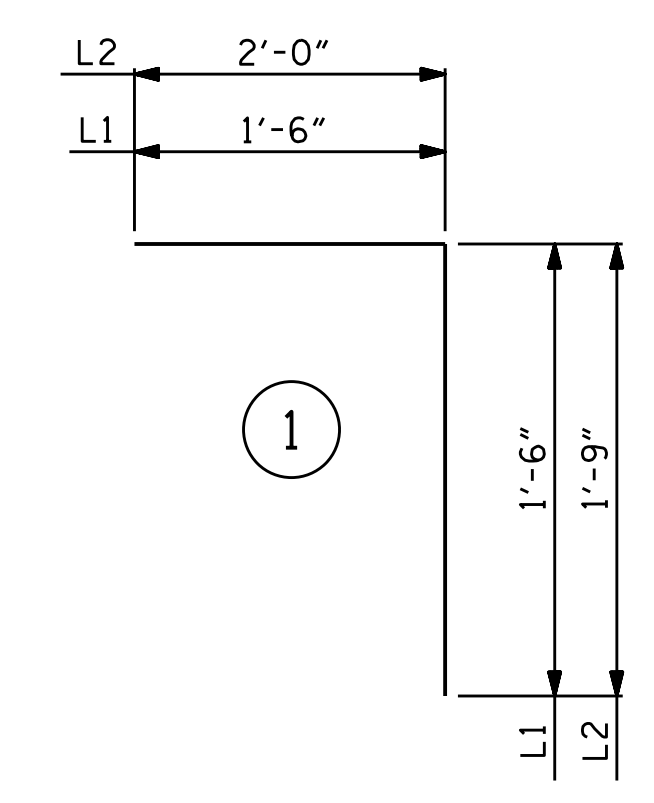
SPECIAL DESIGN ENDWALL

-L- STA. 44+98 LT
STRUCTURE #0656



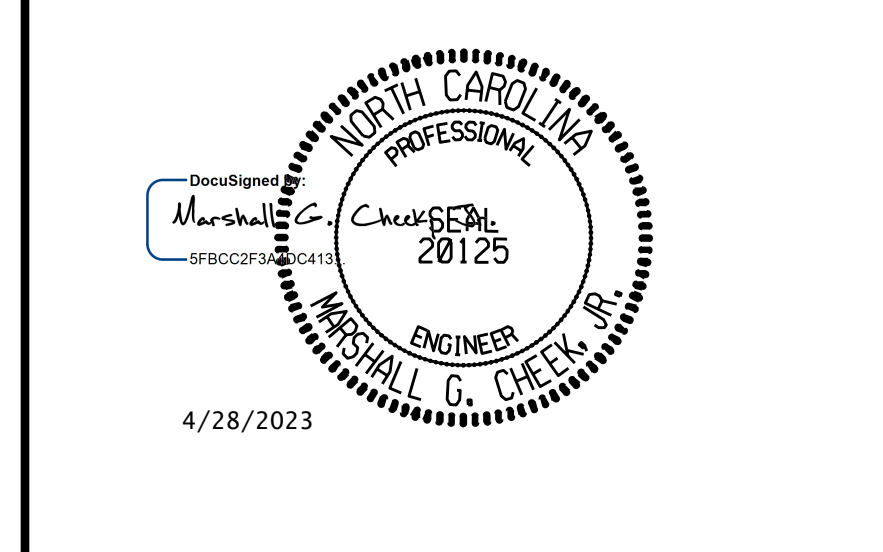
SECTION A-A

BAR TYPES



ALL BAR DIMENSIONS ARE OUT TO OUT.

PROJECT REFERENCE NO.	SHEET NO.
R-3833C	2D-2



DOCUMENT NOT CONSIDERED FINAL
UNLESS ALL SIGNATURES COMPLETED

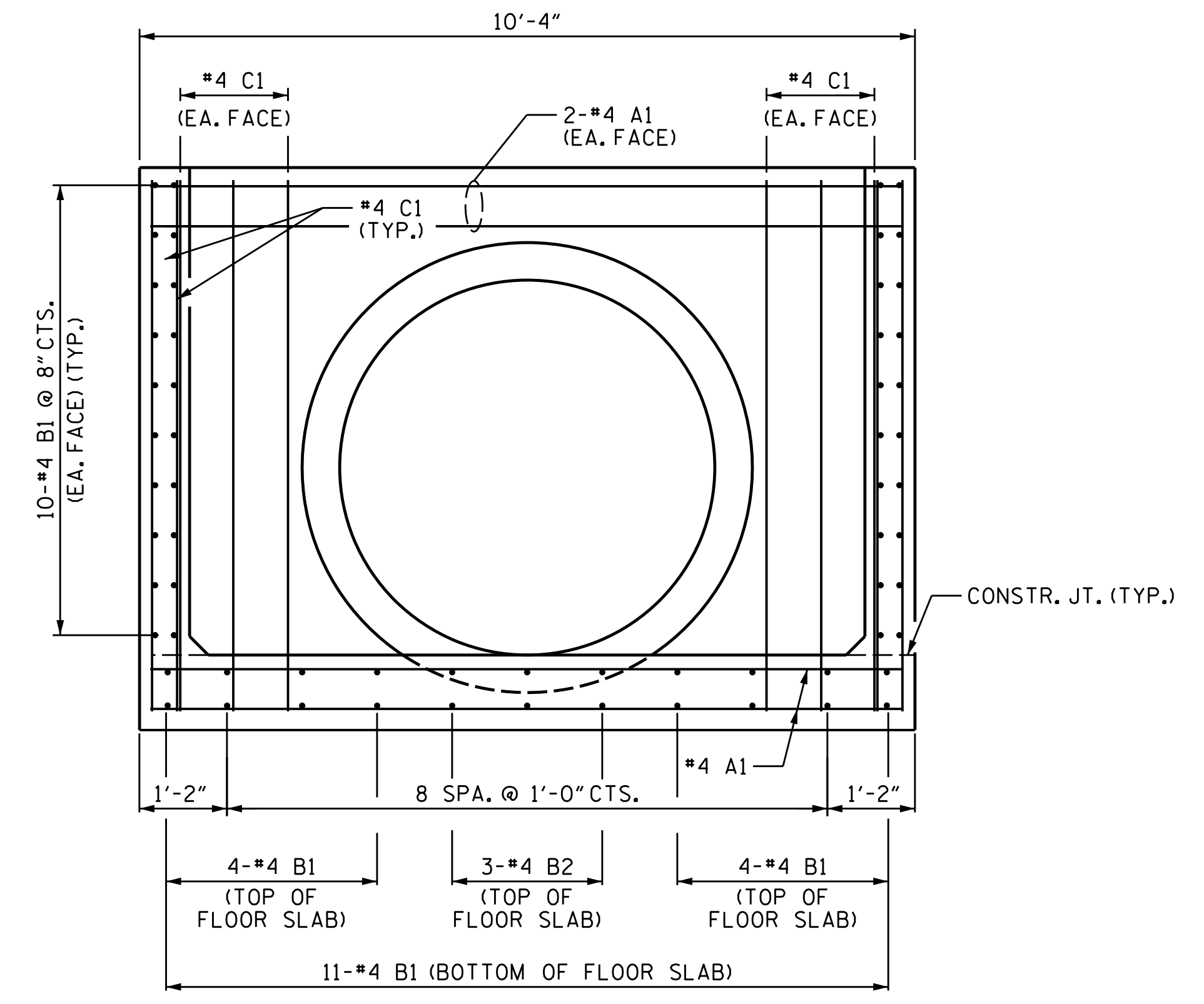
TGS ENGINEERS
706 HILLSBOROUGH STREET
SUITE 200
RALEIGH, NC 27603
PH (919) 773-8887
CORP. LICENSE NO.: C-0275

BILL OF MATERIAL

BAR	NUMBER	SIZE	TYPE	LENGTH	WEIGHT
A1	31	#4	STR	10'-0"	207
A2	2	#4	STR	13'-0"	17
B1	59	#4	STR	13'-10"	545
B2	3	#4	STR	13'-2"	26
C1	78	#4	STR	7'-1"	369
L1	20	#4	1	3'-0"	40
L2	20	#4	1	3'-9"	50
REINFORCING STEEL				1254 LBS.	
CLASS B CONCRETE				11.6 C.Y.	

NOTES

ALL REINFORCING STEEL SHALL BE 2" CLEAR.



SECTION B-B

DRAWN BY : STM DATE : 09/21
CHECKED BY : MGC DATE : 09/21