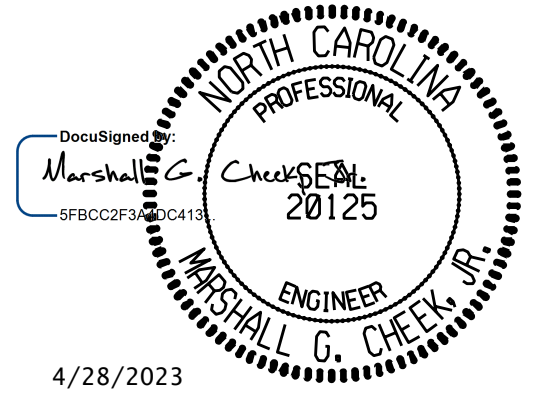


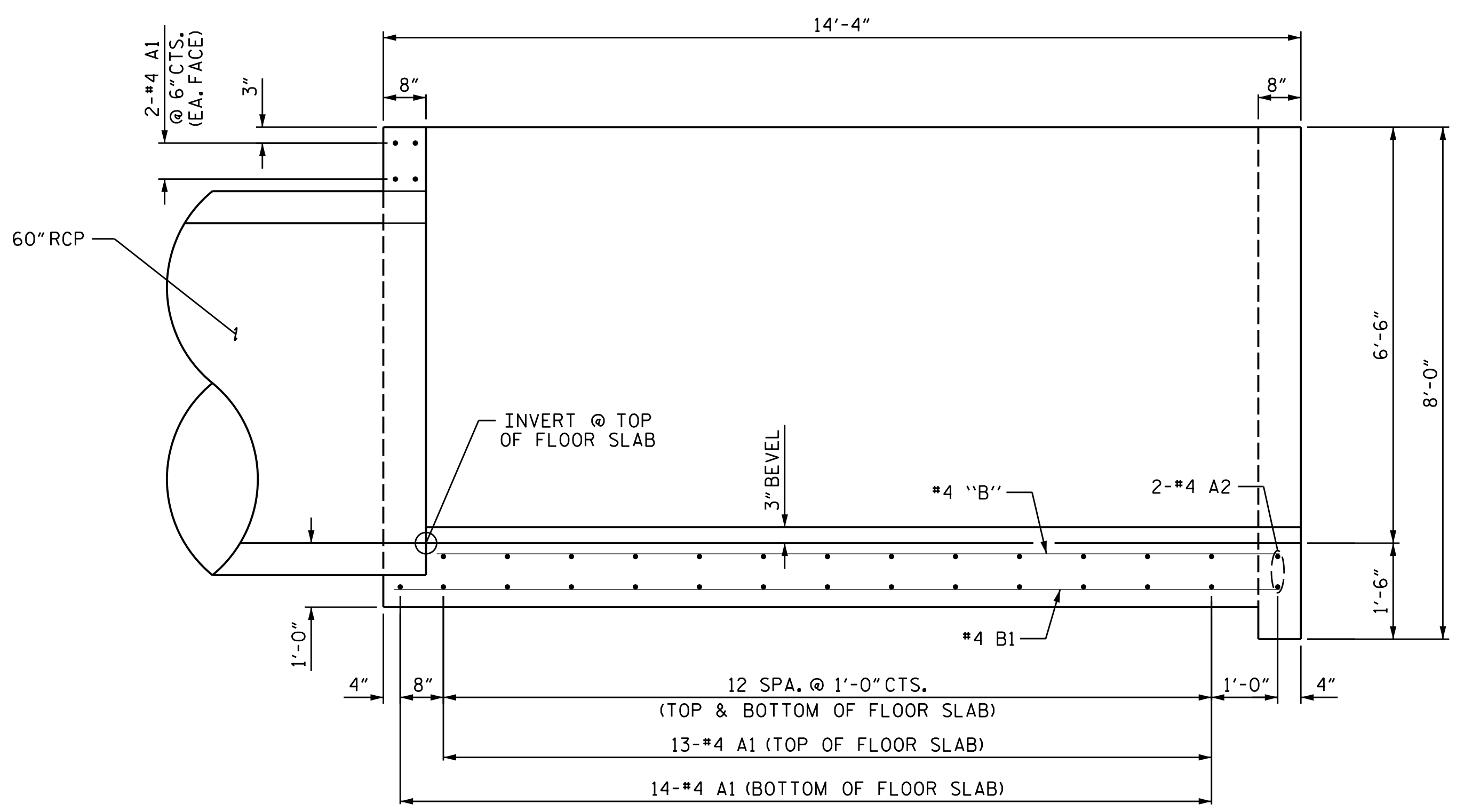
SPECIAL DESIGN ENDWALL

-L- STA. 44+98 LT
STRUCTURE #0656

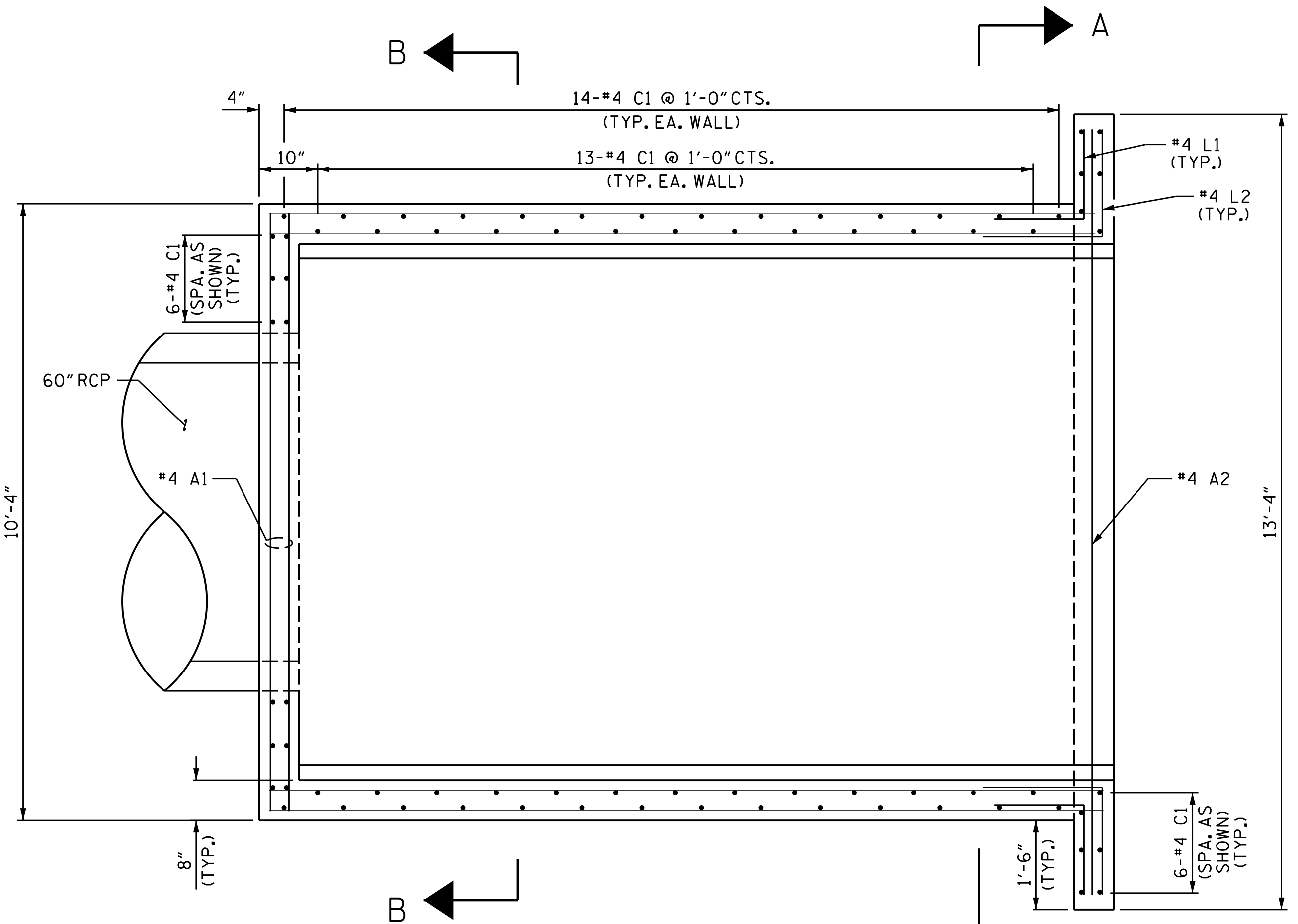


DOCUMENT NOT CONSIDERED FINAL
UNLESS ALL SIGNATURES COMPLETED

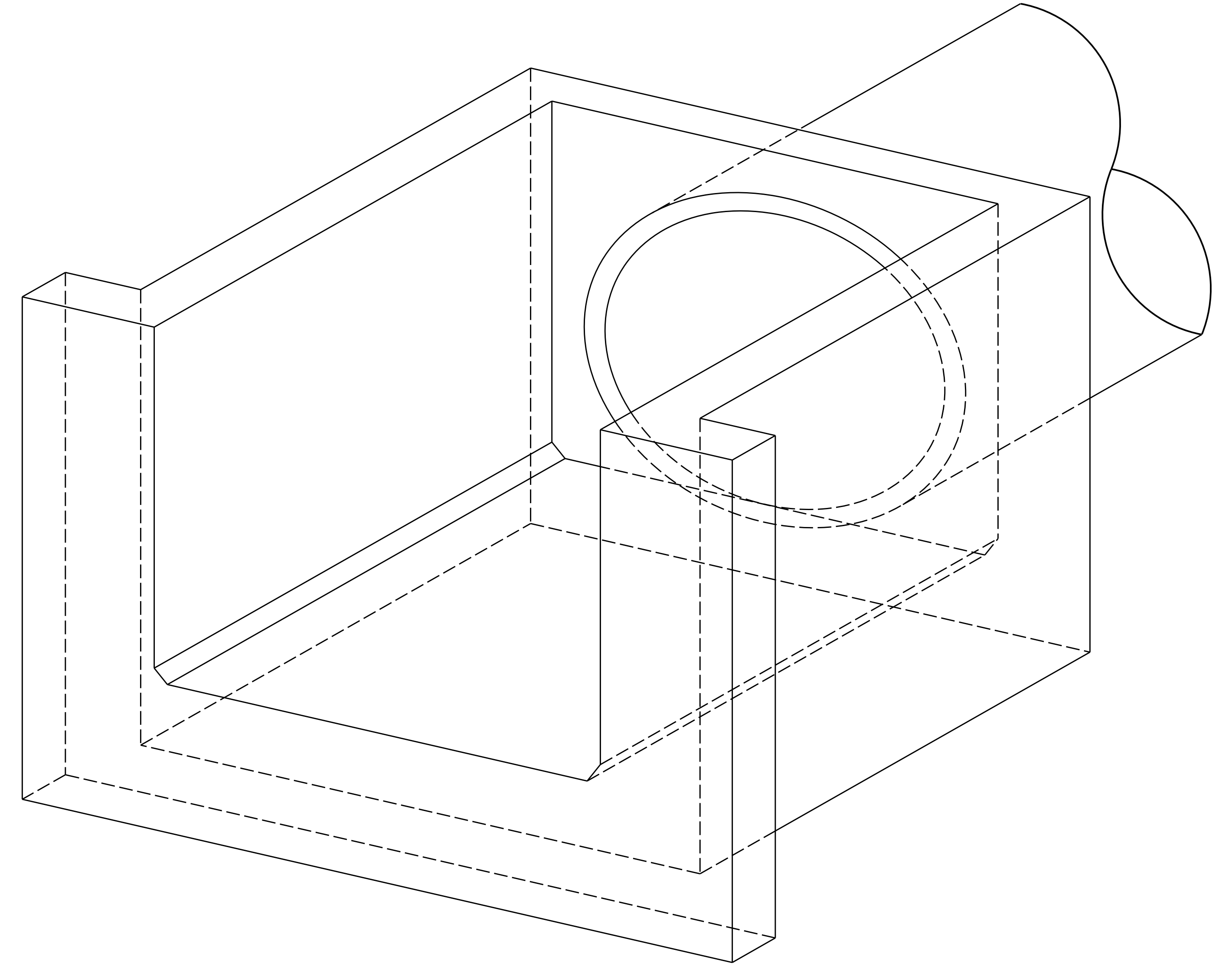
TGS ENGINEERS
706 HILLSBOROUGH STREET
SUITE 200
RALEIGH, NC 27603
PH (919) 773-8887
CORP. LICENSE NO.: C-0275



SECTION ALONG C-C



PLAN



DRAWN BY : STM DATE : 09/21
 CHECKED BY : MGC DATE : 09/21