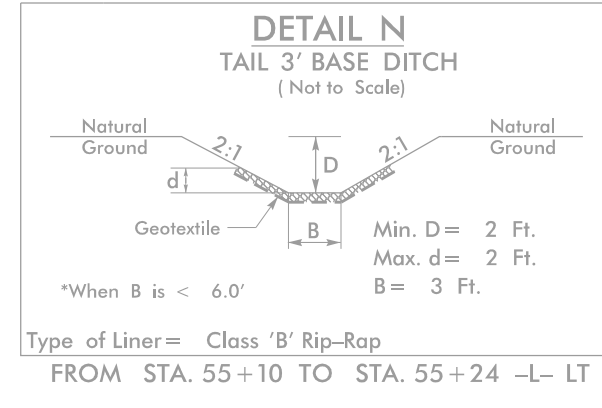
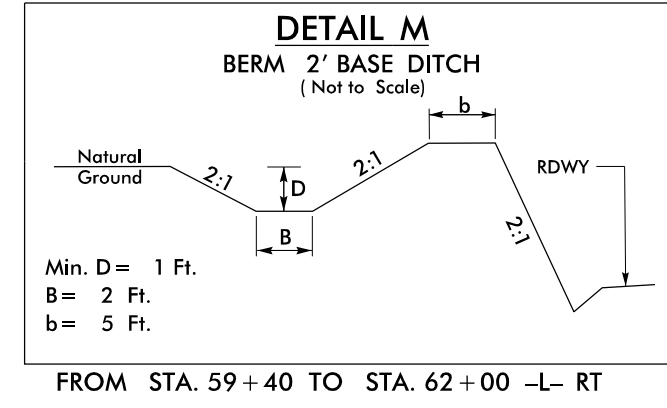
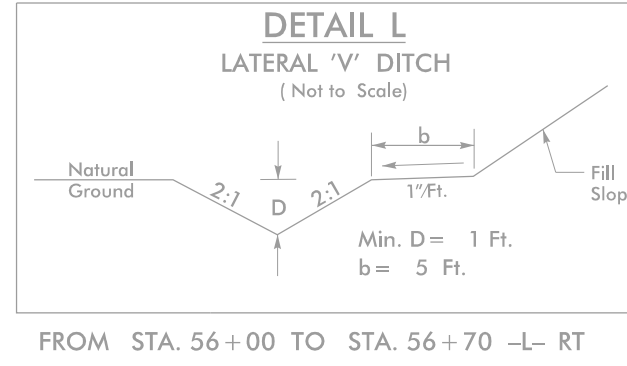
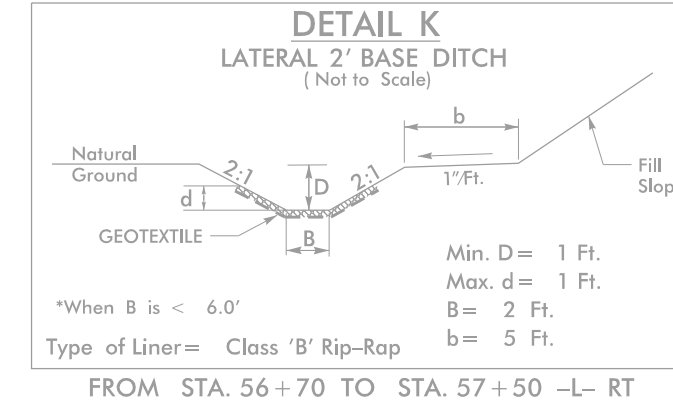
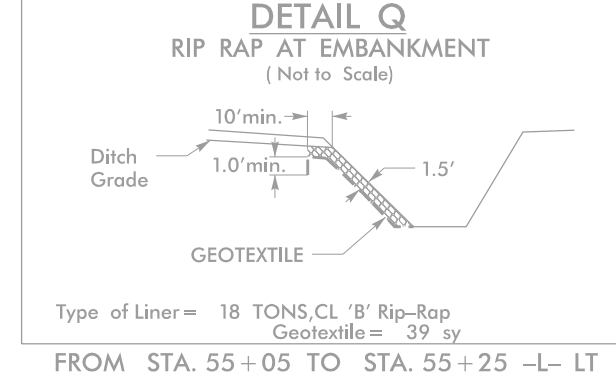
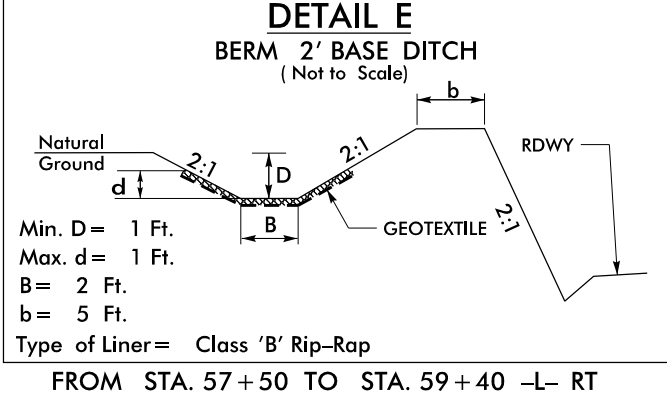


PROJECT REFERENCE NO. U-6003		SHEET NO. EC-13/CONST.08	
RW SHEET NO.			
ROADWAY DESIGN ENGINEER		HYDRAULICS ENGINEER	

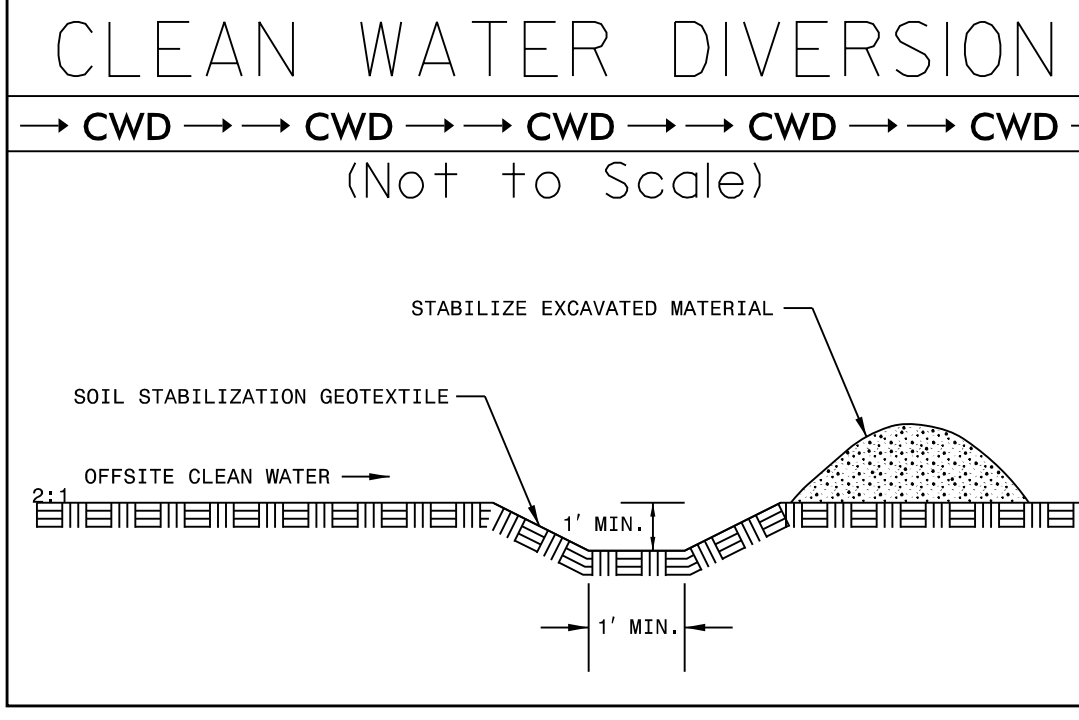
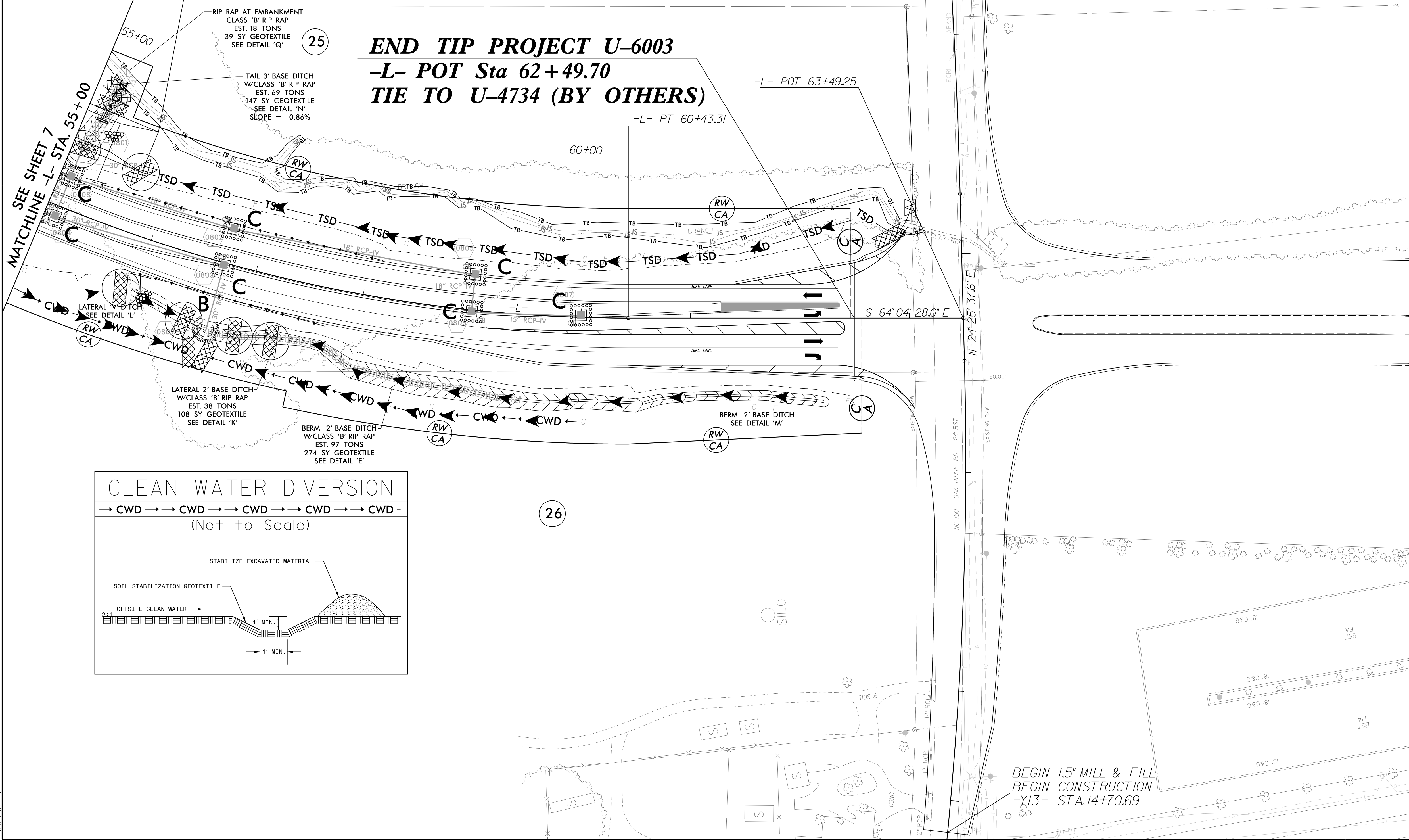


**40 x 106 x 3
2 inch Skimmer
with 1.75 inch
Orifice Diameter
16 ft. weir
ID 7.2**



Permit Site 7

**END TIP PROJECT U-6003
-L- POT Sta 62+49.70
TIE TO U-4734 (BY OTHERS)**



END 1.5" MILL & FILL
END CONSTRUCTION
-Y13- STA.25+10.00

BEGIN 1.5" MILL & FILL
BEGIN CONSTRUCTION
-Y13- STA.14+70.69

