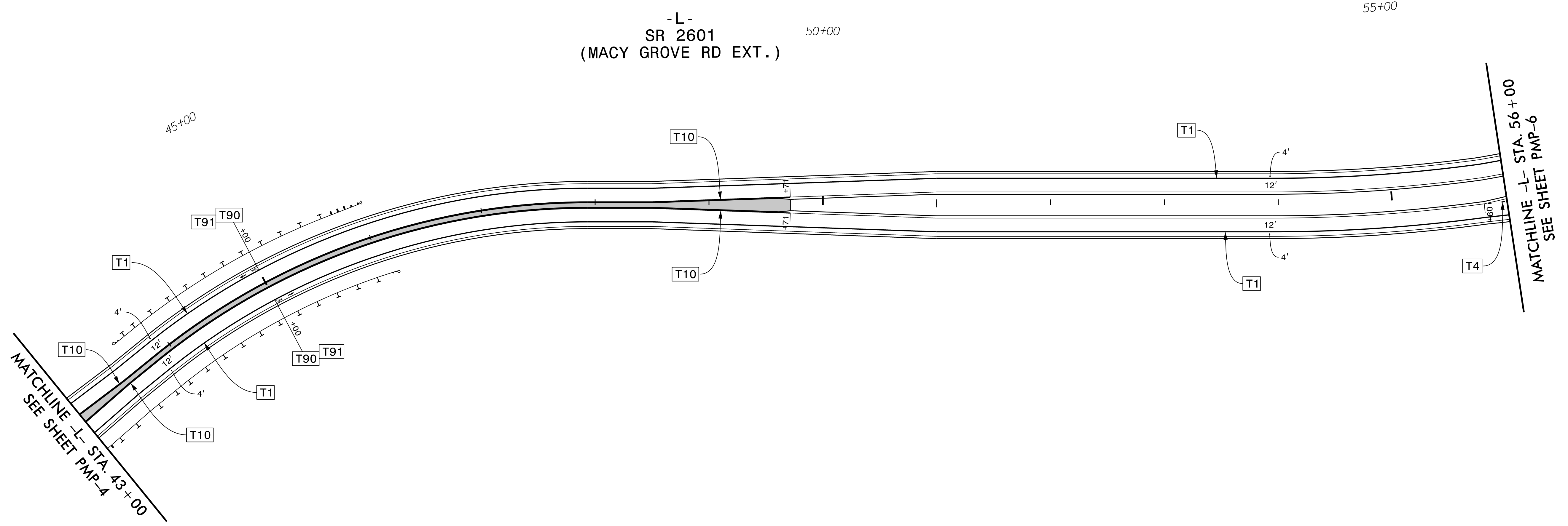


**DOCUMENT NOT CONSIDERED FINAL
 UNLESS ALL SIGNATURES COMPLETED**



PLOT DRIVER: NCDOT_color_eng_50.pht
 USER: CHARNDEN
 FILE: p:\pwhdr\users\charnd\US_East_01\Documents\3322\10001461\10108594\6.0_CAD_BIM\6.2_Work_In_Progress\Traffic\Delineation\U6003_PM_PMP05.dgn
 PENTABLE: NCDOT_PMP.tbl
 DATE: 8/28/2023
 TIME: 11:37:56 AM

PAVEMENT MARKING DETAIL