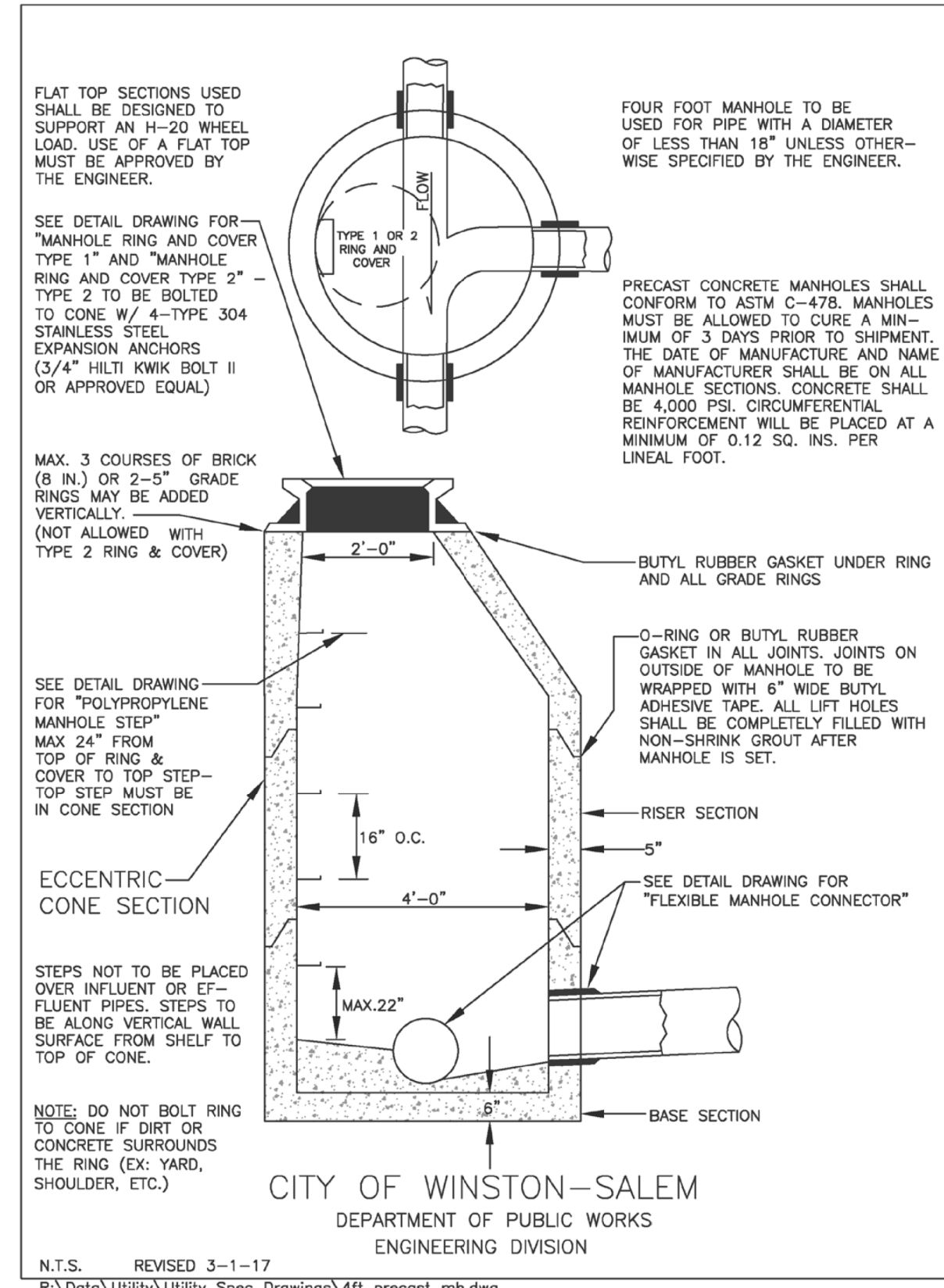


DOCUMENT NOT CONSIDERED FINAL
UNLESS ALL SIGNATURES COMPLETED

UTILITY CONSTRUCTION

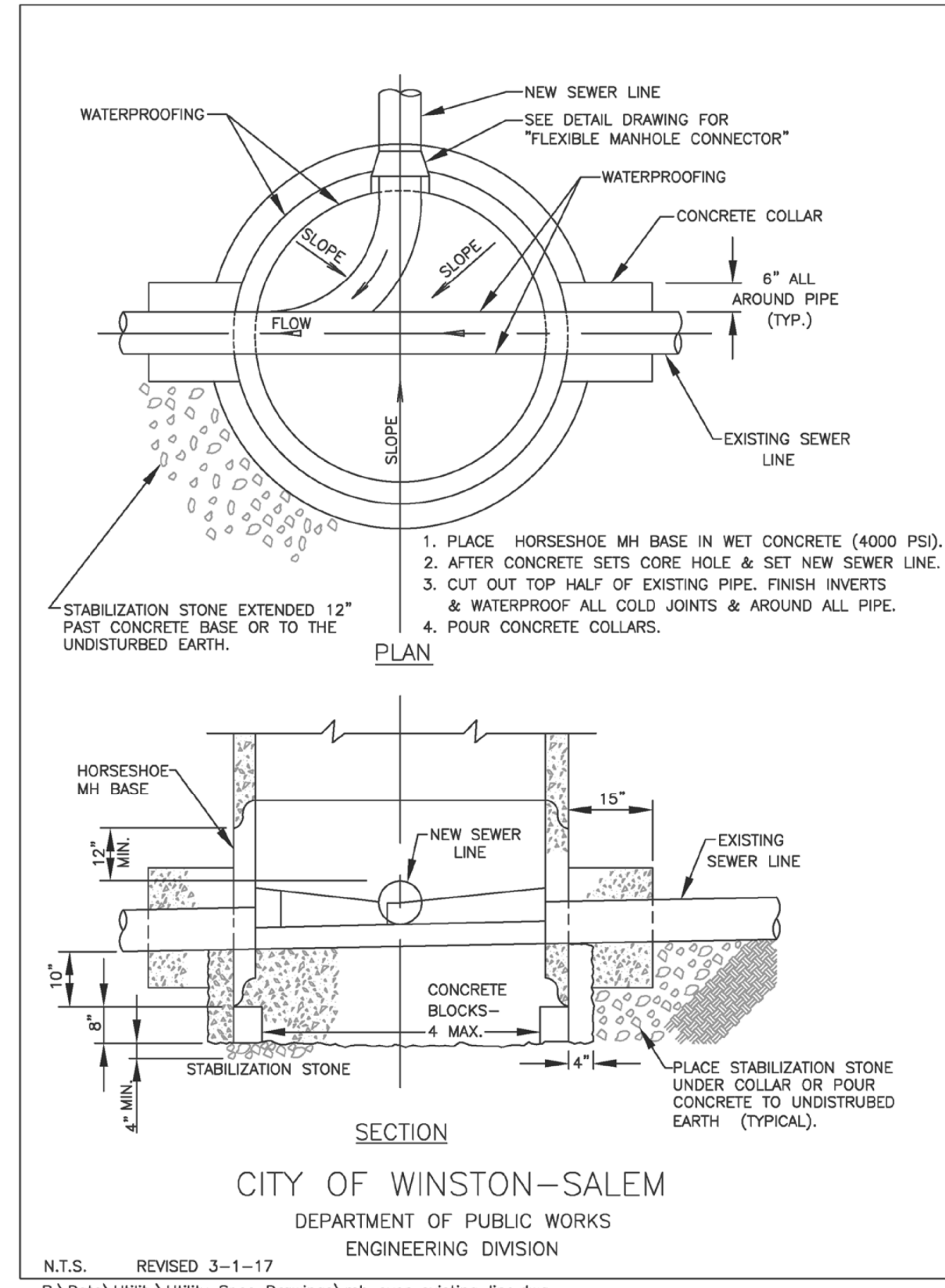
4' Precast Reinforced Concrete Manhole



CITY OF WINSTON-SALEM
DEPARTMENT OF PUBLIC WORKS
ENGINEERING DIVISION
N.T.S. REVISED 3-1-17
R:\Data\Utility\Utility Spec Drawings\4ft precast mh.dwg

C-10

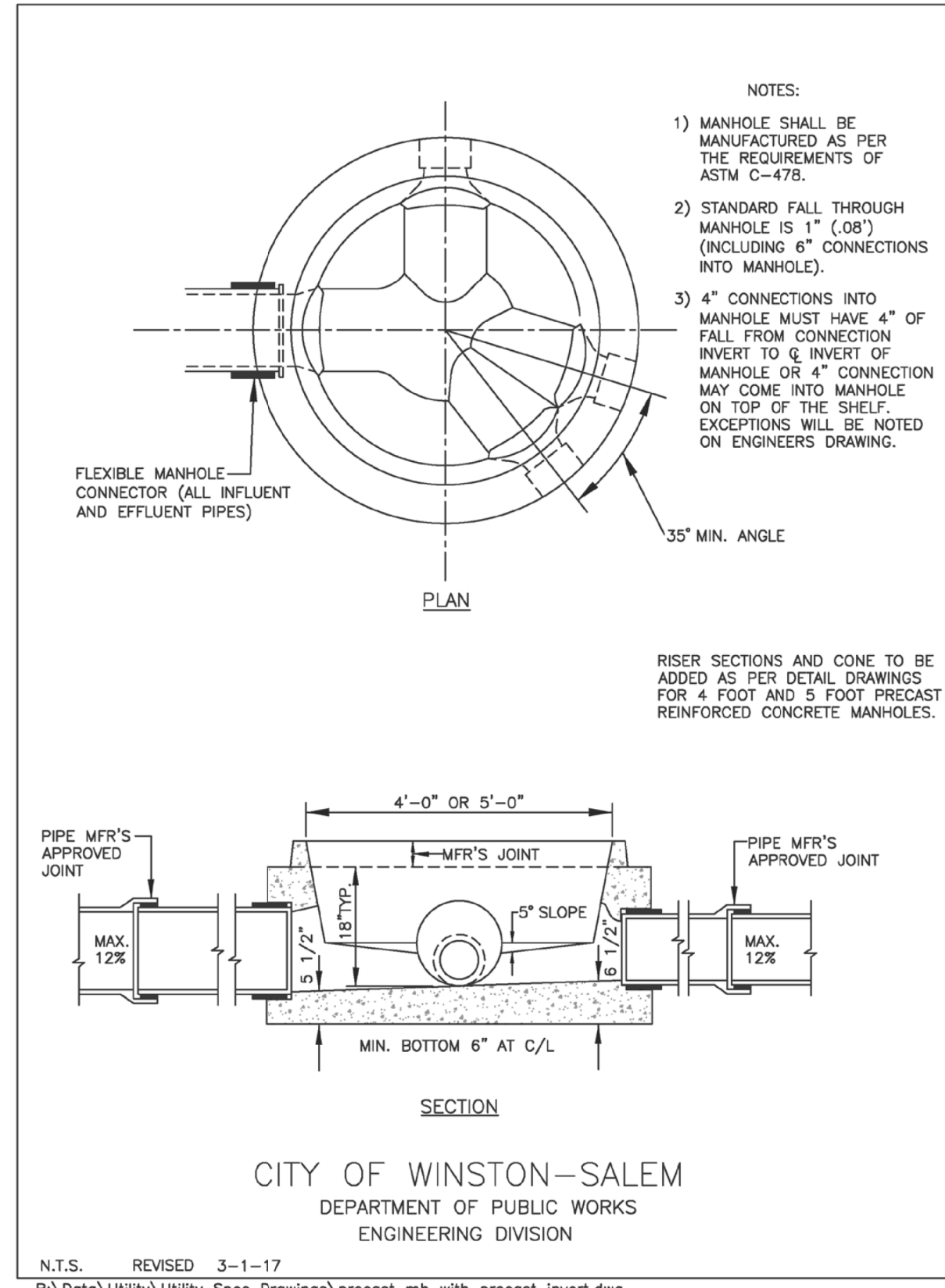
Manhole Built Over Existing Line



CITY OF WINSTON-SALEM
DEPARTMENT OF PUBLIC WORKS
ENGINEERING DIVISION
N.T.S. REVISED 3-1-17
R:\Data\Utility\Utility Spec Drawings\mh over existing line.dwg

C-13

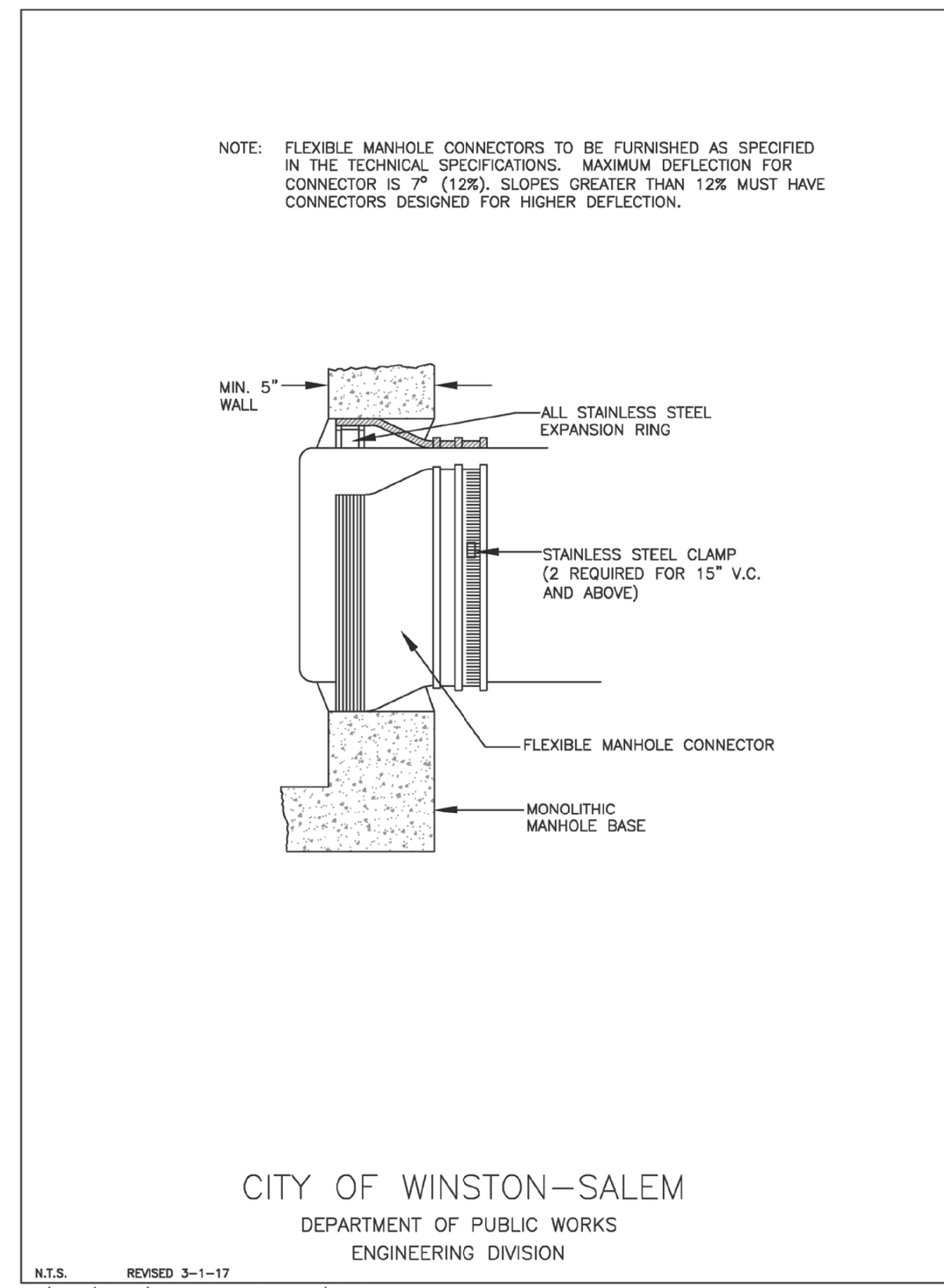
Precast Reinforced Concrete Manhole with Precast Invert



CITY OF WINSTON-SALEM
DEPARTMENT OF PUBLIC WORKS
ENGINEERING DIVISION
N.T.S. REVISED 3-1-17
R:\Data\Utility\Utility Spec Drawings\precast mh with precast invert.dwg

C-16

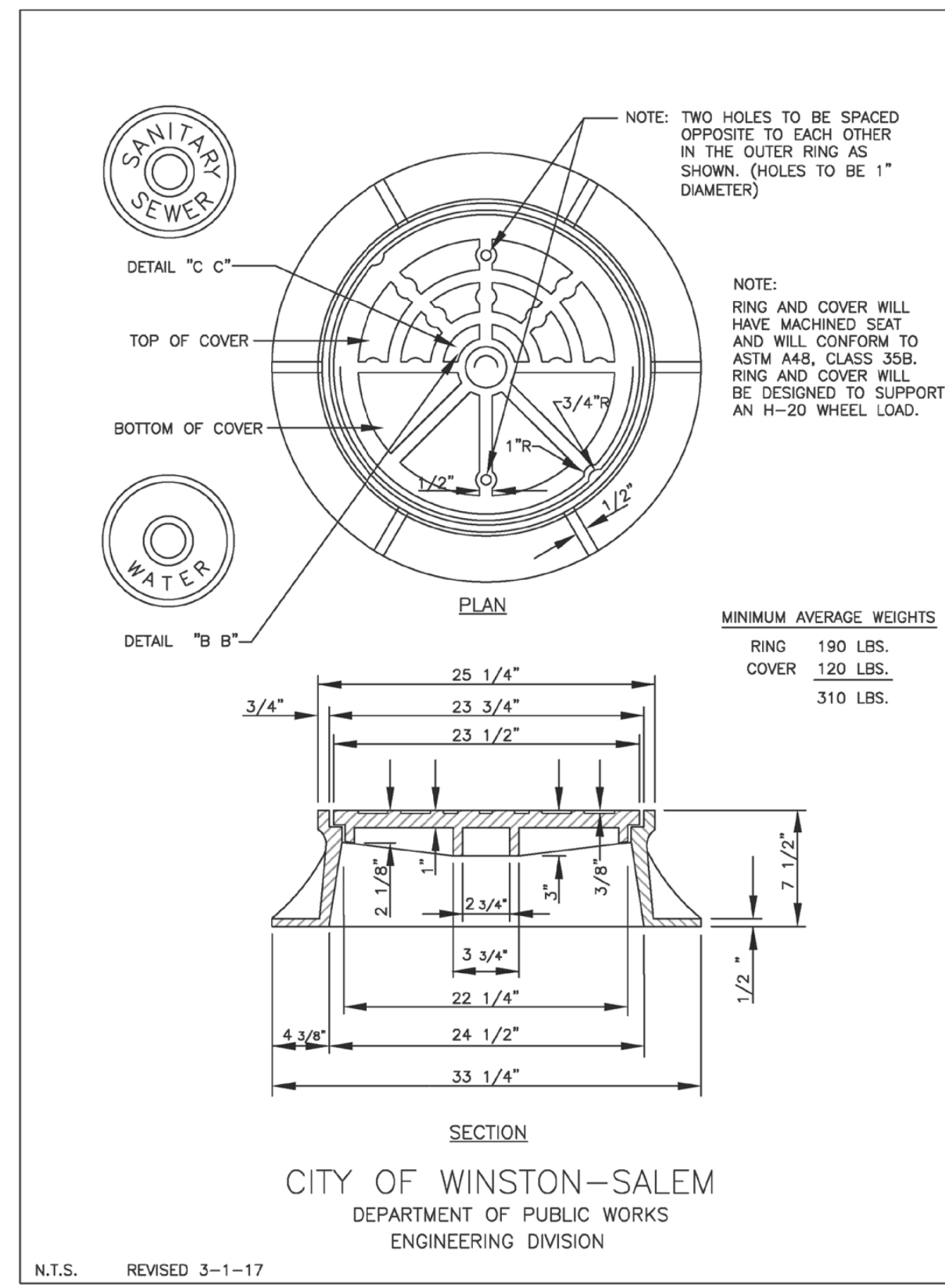
Flexible Manhole Connector



CITY OF WINSTON-SALEM
DEPARTMENT OF PUBLIC WORKS
ENGINEERING DIVISION
N.T.S. REVISED 3-1-17
R:\Data\Utility\Utility Spec Drawings\flexible mh connector.dwg

C-17

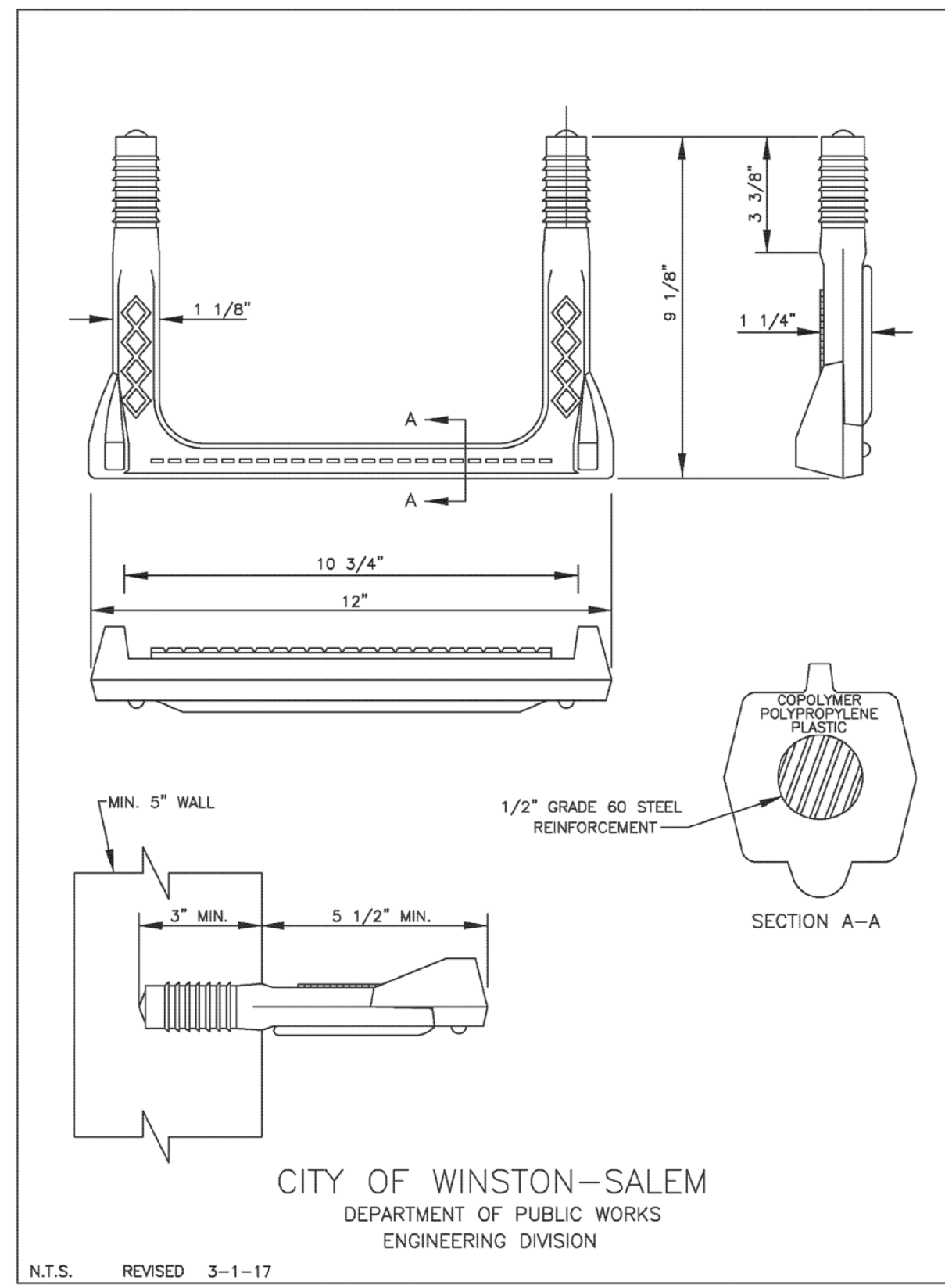
Manhole Ring and Cover (Type 1)



CITY OF WINSTON-SALEM
DEPARTMENT OF PUBLIC WORKS
ENGINEERING DIVISION
N.T.S. REVISED 3-1-17
R:\Data\Utility\Utility Spec Drawings\mh ring & cover type 1.dwg

C-18

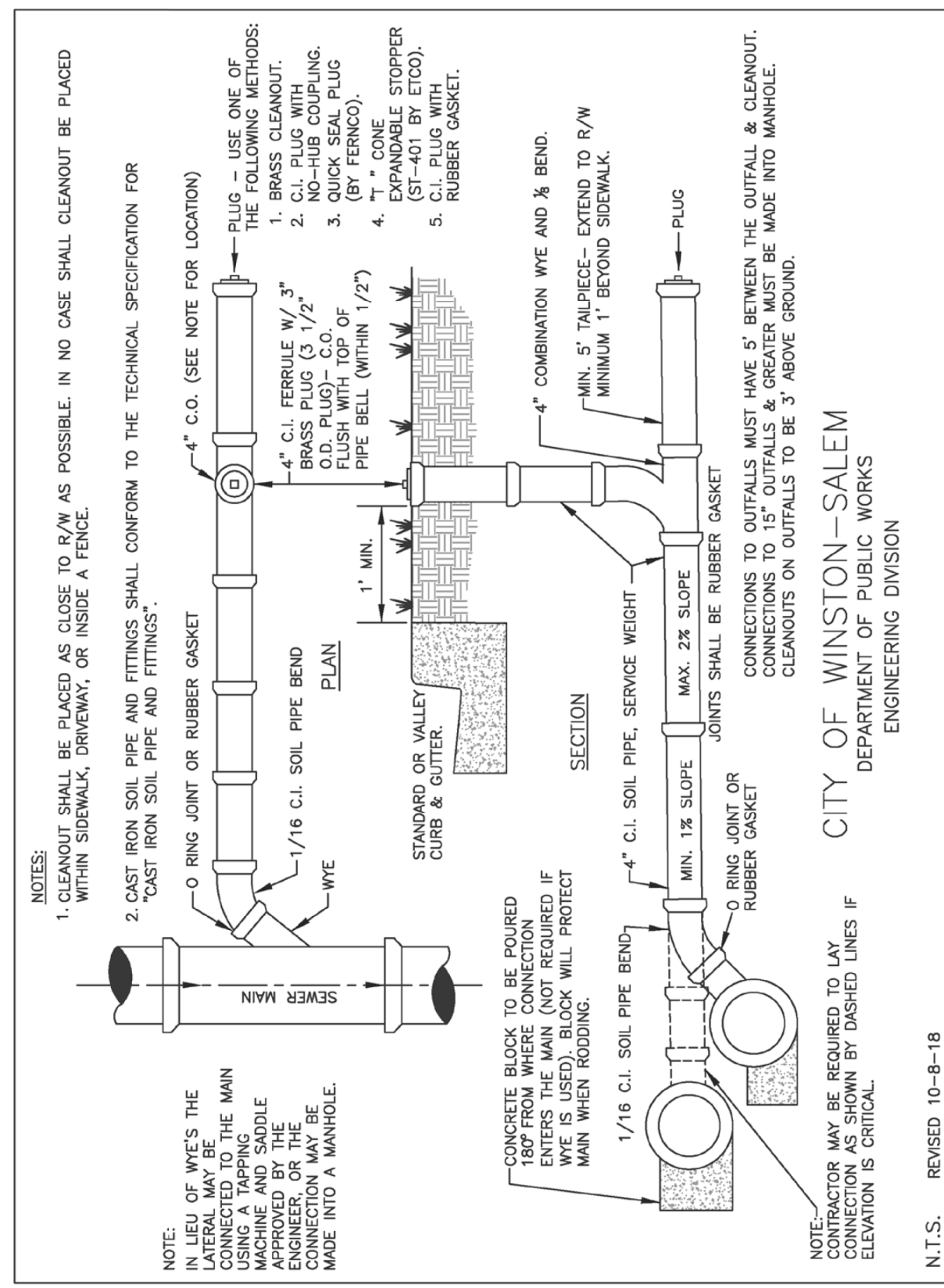
Polypropylene Manhole Step



CITY OF WINSTON-SALEM
DEPARTMENT OF PUBLIC WORKS
ENGINEERING DIVISION
N.T.S. REVISED 3-1-17
R:\Data\Utility\Utility Spec Drawings\mh step.dwg

C-21

4" Sewer Connection



CITY OF WINSTON-SALEM
DEPARTMENT OF PUBLIC WORKS
ENGINEERING DIVISION
N.T.S. REVISED 10-8-18
R:\Data\Utility\Utility Spec Drawings\4inch s conn.dwg

C-22

DATE: 9/8/2023
TIME: 3:55:54 PM
DGN: L:\Secure_DCS\Proj\6081002\ICDDOT\UIT\000_CAD_GIS\919\CL\ADV0_ICDDOT_T\PU\Utilities\Engineering\UC\Proj\U8824_uc_ast_3D_AGR\EME\IT.dgn