


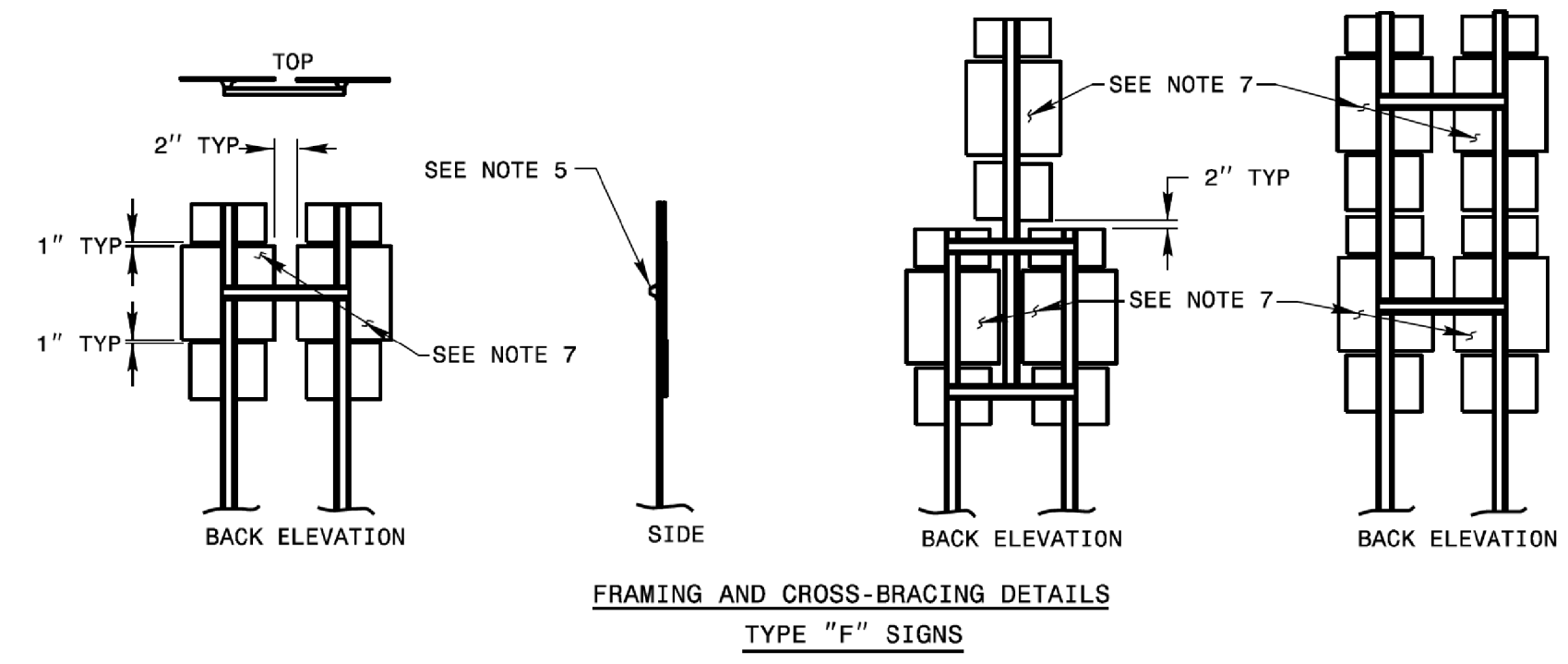
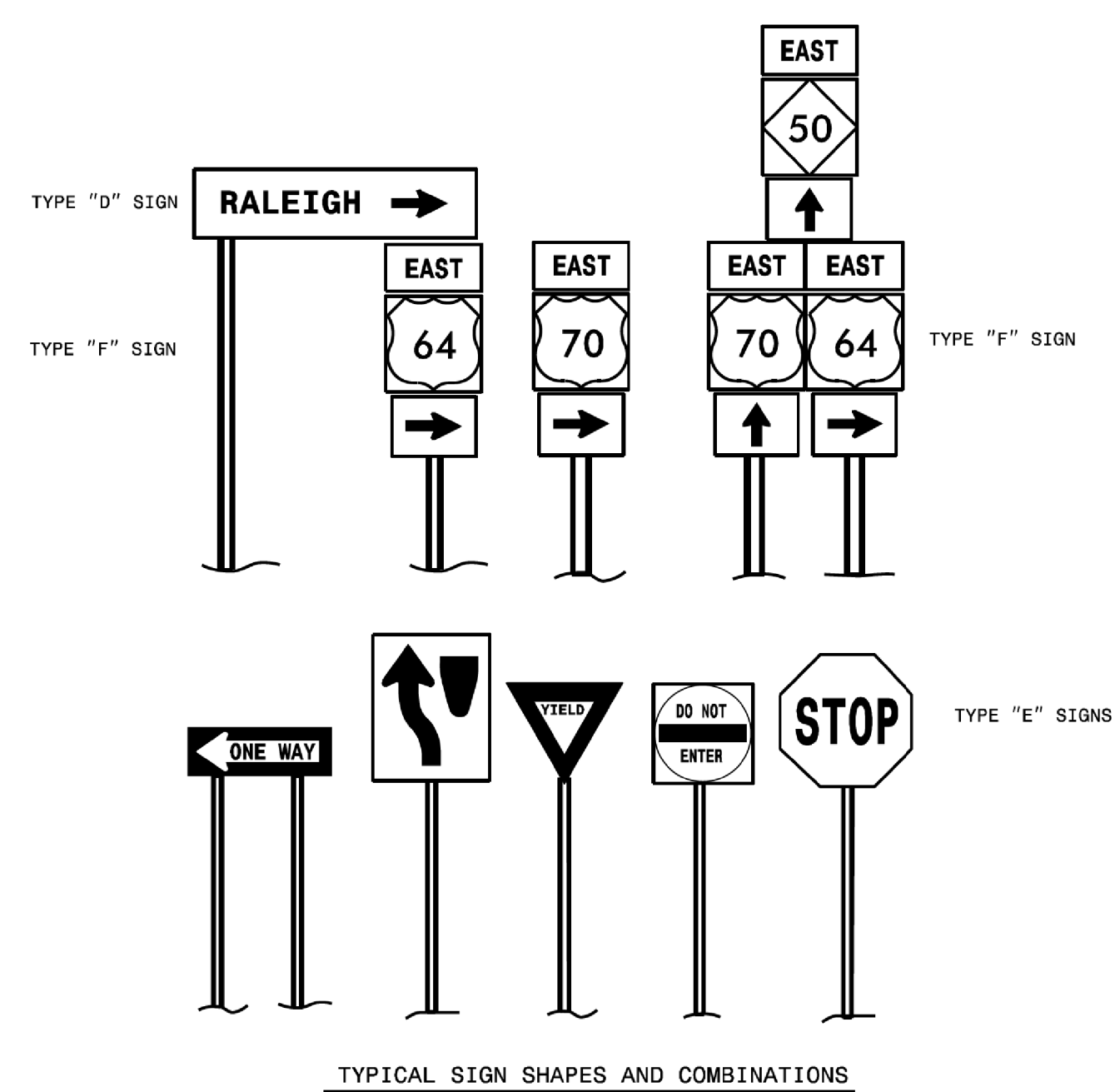
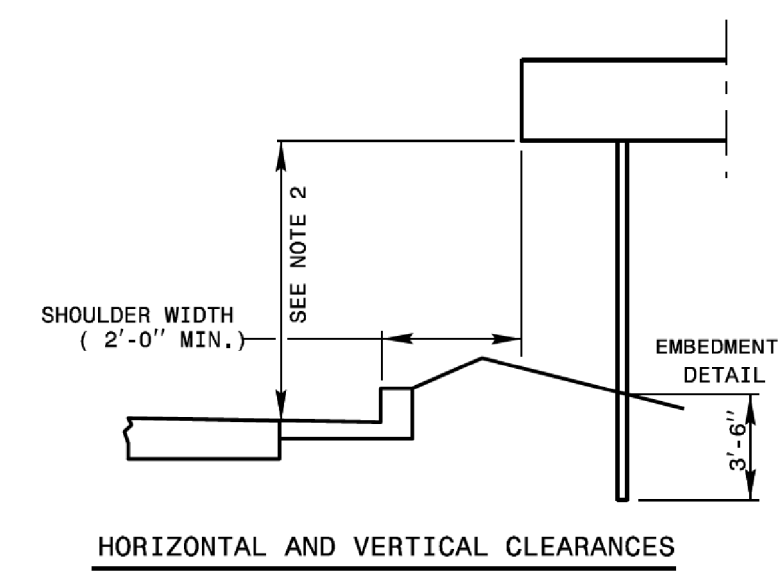
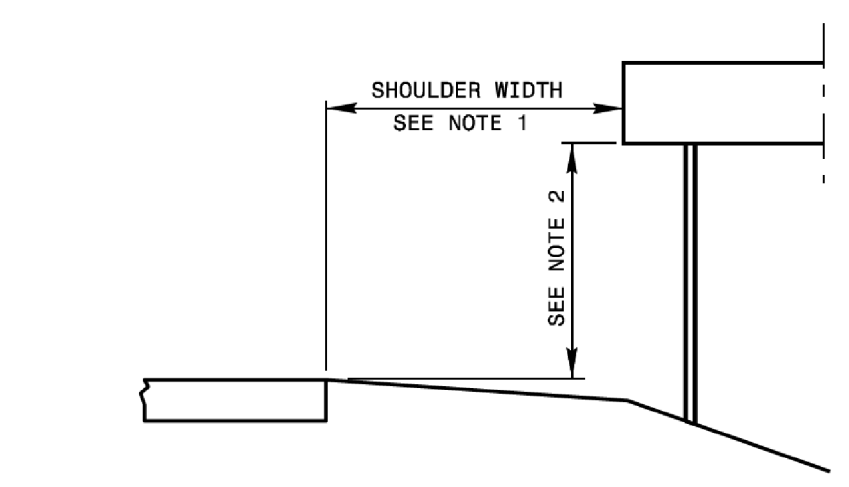
TIP NO.	SHEET NO.
U-5824	DocuSigned by: SIGN - 2
APPROVED:	Matthew V. Springer
DATE:	6/23/2021
SEAL	

STATE OF  
NORTH CAROLINA  
DEPT. OF TRANSPORTATION  
DIVISION OF HIGHWAYS  
RALEIGH, N.C.

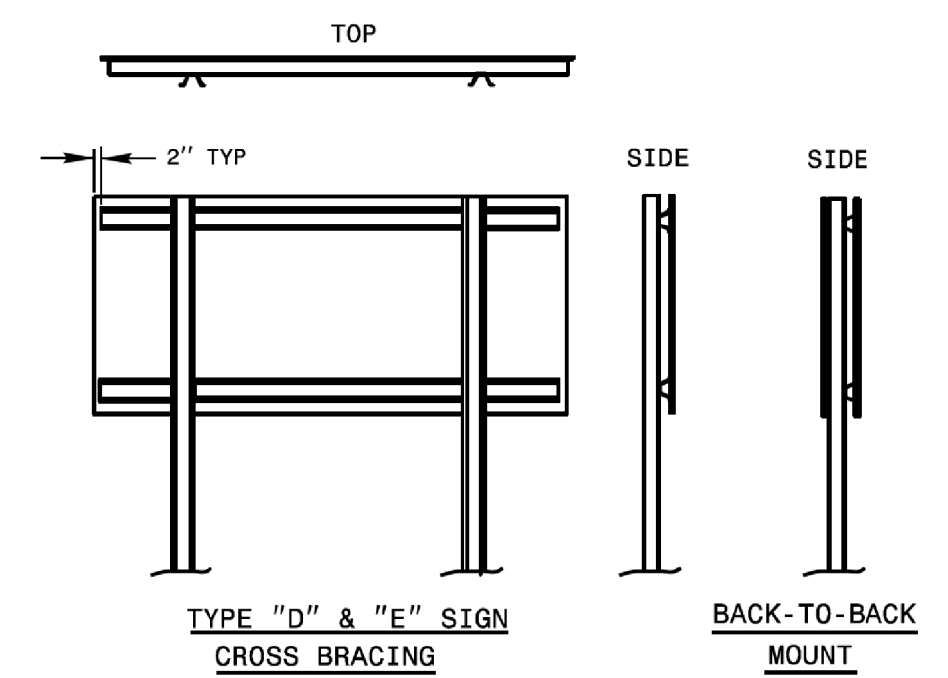
6-21

ENGLISH DETAIL DRAWING FOR  
MOUNTING OF  
TYPE 'D', 'E', AND 'F' SIGNS  
ON 'U' CHANNEL POSTS

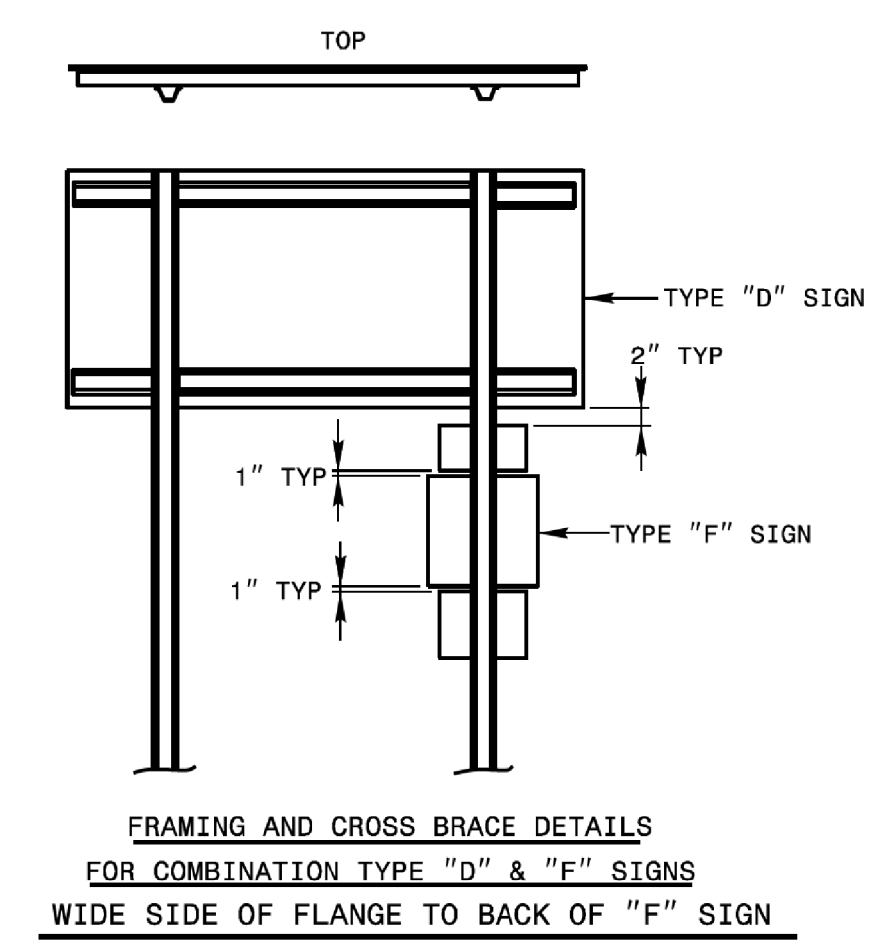
SHEET 1 OF 2  
904D50



FRAMING AND CROSS-BRACING DETAILS  
TYPE "F" SIGNS



FRAMING AND CROSS BRACE DETAILS  
FOR COMBINATION TYPE "D" & "E" SIGNS  
WIDE SIDE OF CROSS BRACE GOES TO BACK OF SIGN



FRAMING AND CROSS BRACE DETAILS  
FOR COMBINATION TYPE "D" & "F" SIGNS  
WIDE SIDE OF FLANGE TO BACK OF "F" SIGN

- NOTES:
1. ERECT TYPE "D", "E", AND "F" SIGNS ON FREEWAYS WITH THE NEAR EDGE OF THE SIGN 20 FT. FROM THE TRAVEL LANE. ERECT ALL OTHER "D", "E", AND "F" SIGNS WITH THE NEAR EDGE OF THE SIGN AT THE EDGE OF THE SHOULDER BREAK (6 FT. MINIMUM CLEARANCE, 12 FT. DESIRABLE, FROM THE EDGE OF TRAVEL LANE), OR AS DIMENSIONED ON PLAN SHEETS.
  2. ERECT TYPE "D", "E", AND "F" SIGNS WITH THE BOTTOM OF SIGN ASSEMBLY AT LEAST 7 FT. ABOVE THE EDGE OF THE TRAVEL LANE ON ROADS WITH 2 OR MORE LANES IN THE SAME DIRECTION AND AT LEAST 5 FT. ON OTHER ROUTES. THE VERTICAL CLEARANCE IS 7 FT. WHERE REQUIRED FOR PEDESTRIAN TRAFFIC AND/OR PARKED VEHICLES.
  3. THE VERTICAL DIMENSION BETWEEN MOUNTING HOLE CENTERS ON ALL TYPES "D", "E", AND "F" SIGNS IS 30" MAXIMUM. THE VERTICAL AND HORIZONTAL DIMENSIONS BETWEEN MOUNTING HOLES IS TO THE WHOLE INCH. EACH SIGN PANEL HAS A MINIMUM OF 2 BOLTS PER SUPPORT.
  4. ATTACH SIGN W/ 5/16" HEX HEAD BOLT, NYLON WASHER, SHIM, FLAT WASHER, LOCK WASHER, HEX NUT. NO BUCKLING OF THE SIGN WILL BE PERMITTED. SEE ASSEMBLY DETAIL SHEET# 2 OF 904.50.
  5. FURNISH AND INSTALL CROSS-BRACING AS SHOWN IN DETAIL. PAINT ENDS OF CROSS BRACES W/ APPROVED. ZINC PAINT.
  6. INSTALL POST AND CROSS-BRACING WITH THE WIDE SIDE OF THE FLANGE TOWARD THE BACK OF SIGN(S) FOR COMBINATION TYPE "D" AND "F" SIGNS.
  7. THE SHIELD HEIGHTS IN THESE ASSEMBLIES CAN NOT BE LARGER THAN 24".
  8. IF SIGN ASSEMBLIES REQUIRE MORE THAN TWO U-CHANNEL SUPPORTS, THE SUPPORTS SHALL BE PLACED A MINIMUM OF 4 FT. BETWEEN POSTS. NO MORE THAN TWO POSTS SHALL FALL WITHIN 7 FT. PATH, OR THE SIGN ASSEMBLY MUST BE PLACED BEHIND BARRIER PROTECTION.

STATE OF  
NORTH CAROLINA  
DEPT. OF TRANSPORTATION  
DIVISION OF HIGHWAYS  
RALEIGH, N.C.

6-21

ENGLISH DETAIL DRAWING FOR  
MOUNTING OF  
TYPE 'D', 'E', AND 'F' SIGNS  
ON 'U' CHANNEL POSTS

SHEET 1 OF 2  
904D50

REVISED SIGNING  
ROADWAY STANDARD DRAWING

6/18/2021 S:\S&DU\S\Standards and Drawings\Drawings\2018 Standard Dwg\Division 9 Final\0904.50\_sgn\_sht10\_uchannel.post\_6-21.dgn User:rdstokes