
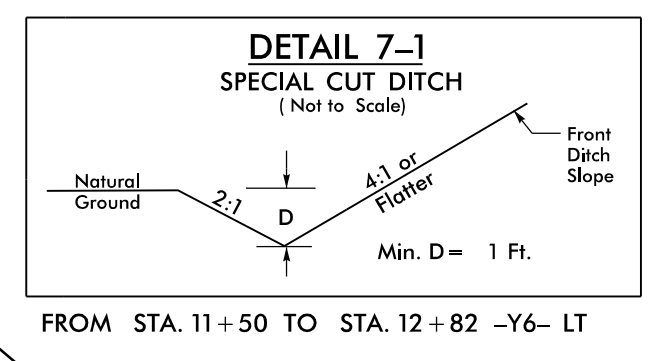


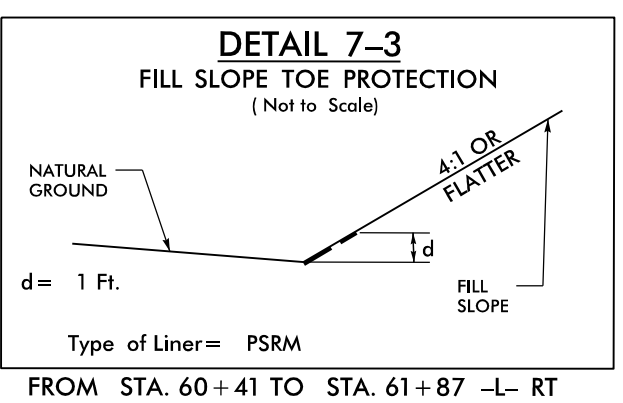
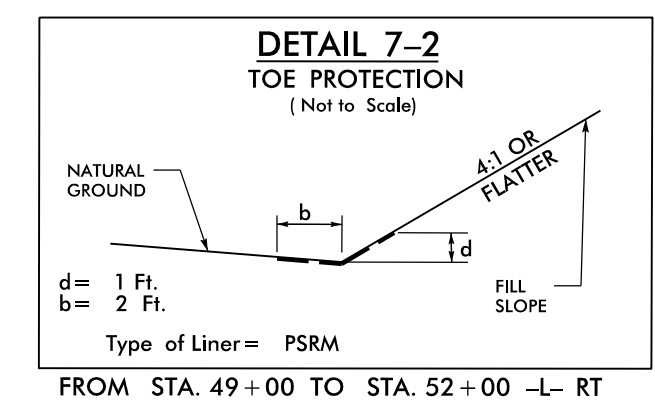
PROJECT REFERENCE NO. U-5824	SHEET NO. EC-15/CONST.7
RW SHEET NO.	
ROADWAY DESIGN ENGINEER	HYDRAULICS ENGINEER
Prepared in the Office of:	
	
<small>NC FIRM LICENSE Nos P-0339 220 Executive Ct Hillsborough, NC 27278 (919) 732-3883 (919) 732-6676 (FAX)</small>	



**-Y7B-**  
 PI Sta 12+35.76  
 $\Delta = 12' 41'' 34.4''$  (RT)  
 $D = 5' 43'' 46.5''$   
 $L = 221.53'$   
 $T = 111.22'$   
 $R = 1,000.00'$

PI Sta 50+18.92  
 $\Delta = 4' 43'' 39.8''$  (LT)  
 $D = 2' 29'' 28.0''$   
 $L = 189.78'$   
 $T = 94.95'$   
 $R = 2,300.00'$   
 $SE = 3\%$   
 $RO = 144'$

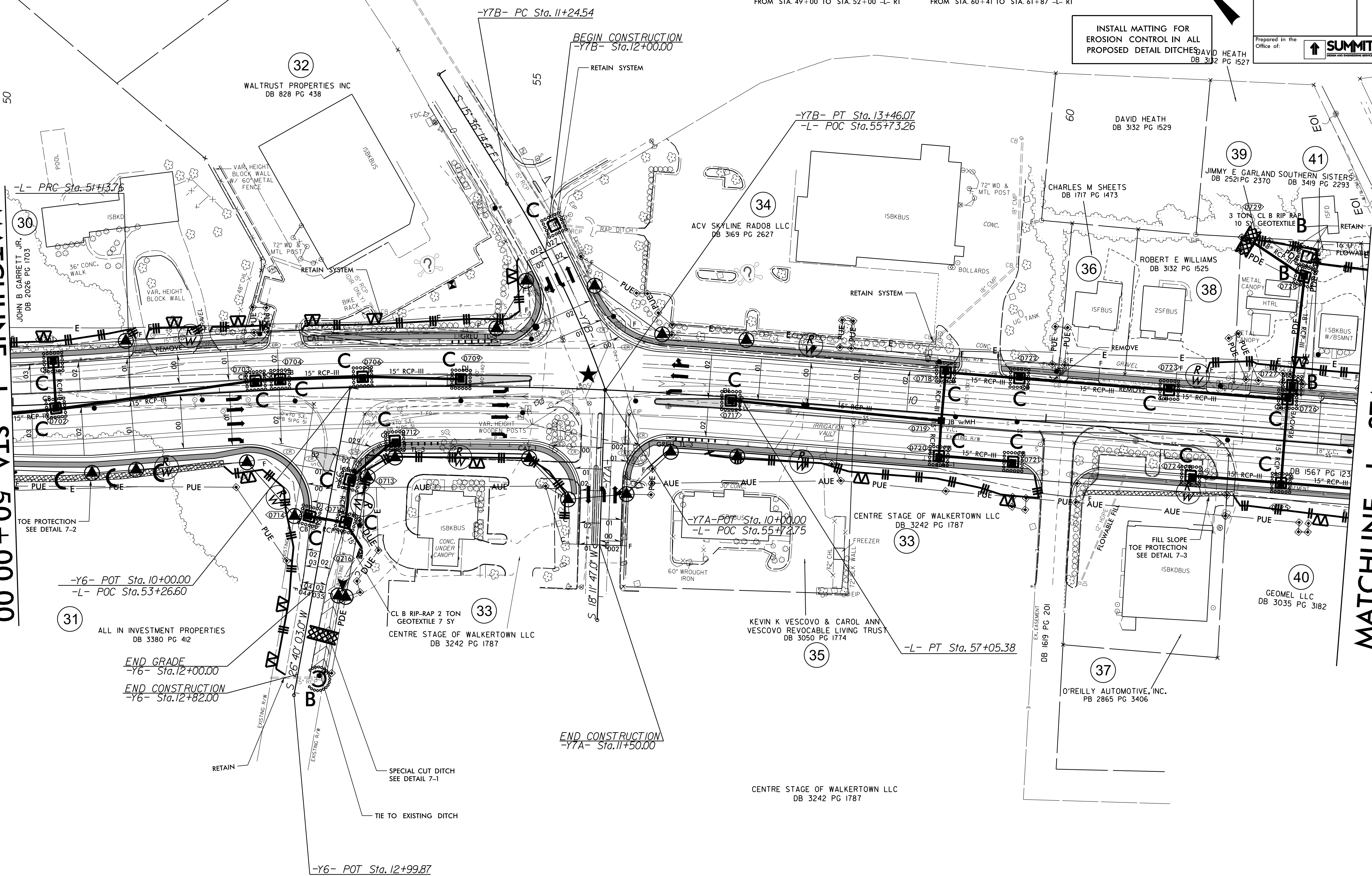
**-L-**  
 PI Sta 54+10.21  
 $\Delta = 9' 31'' 11.0''$  (RT)  
 $D = 1' 33'' 09.8''$   
 $L = 591.63'$   
 $T = 296.45'$   
 $R = 3,690.00'$   
 $SE = 2\%$   
 $RO = 96'$



INSTALL MATTING FOR EROSION CONTROL IN ALL PROPOSED DETAIL DITCHES

MATCHLINE -L- STA 50+00.00  
(SEE SHEET 6)

MATCHLINE -L- STA 63+00.00  
(SEE SHEET 8)



REVISIONS

8/17/99

09-AUG-2023 15:30  
 05:50 EC-15-7-1.mxd.dgn  
 NEWBORN