


PROJECT REFERENCE NO. U-5824	SHEET NO. EC-10/CONST.10
ROADWAY DESIGN ENGINEER	HYDRAULICS ENGINEER
Prepared in the Office of:	
	
<small>NC FIRM LICENSE Nos P-0339 220 Executive Ct Hillsborough, NC 27278 (919) 732-3883 (919) 732-6676 FAX11</small>	

-L-
 PI Sta 87+15.36 Δ = 2° 07' 14.6" (RT) D = 0' 47' 05.5" L = 270.20' T = 135.12' R = 7,300.00' SE = NC
 PI Sta 89+85.56 Δ = 2° 07' 14.6" (LT) D = 0' 47' 05.5" L = 270.20' T = 135.12' R = 7,300.00' SE = NC
 PI Sta 95+14.03 Δ = 7° 38' 49.5" (RT) D = 1' 38' 13.3" L = 467.13' T = 233.91' R = 3,500.00' SE = 2% RO = 98'

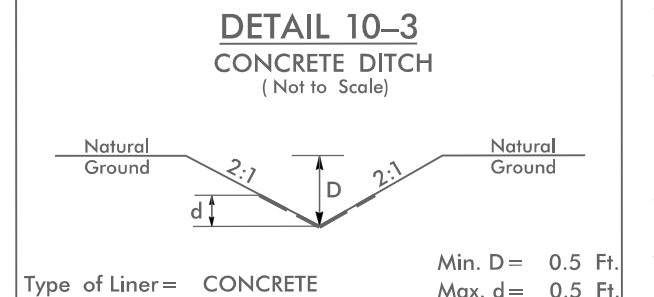
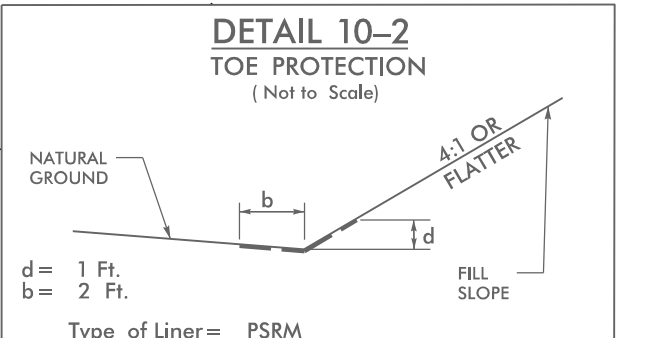
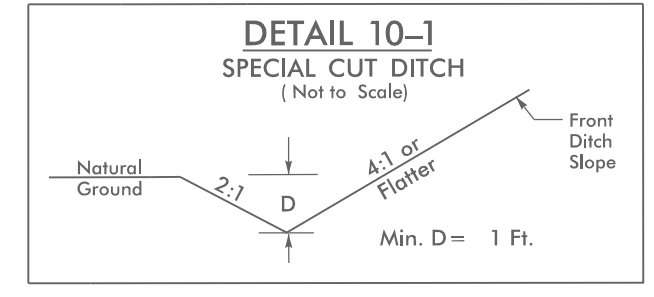
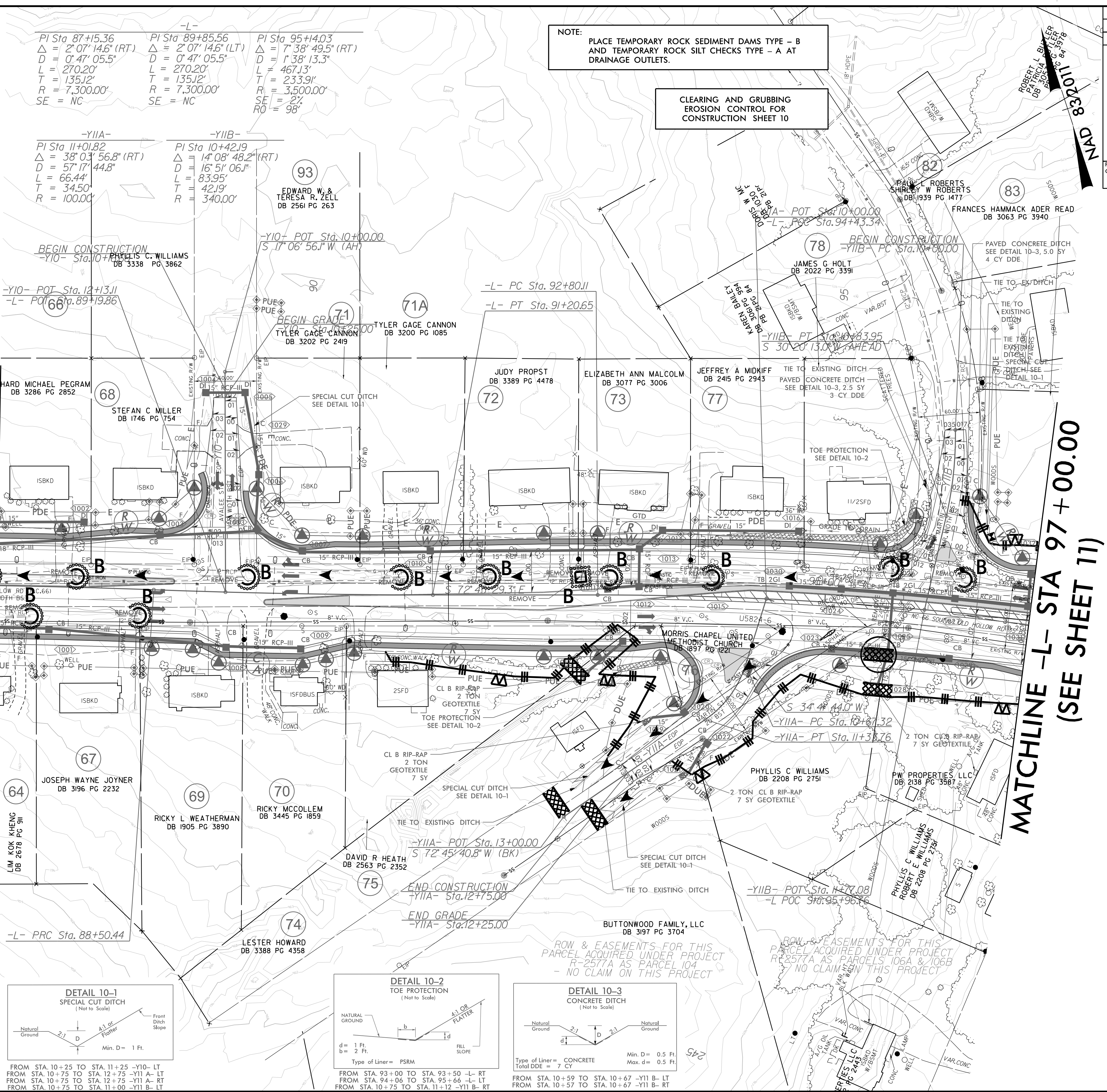
-YIIA-
 PI Sta 11+01.82 Δ = 38° 03' 56.8" (RT) D = 57' 17' 44.8" L = 66.44' T = 34.50' R = 100.00'
 -YIIB-
 PI Sta 10+42.19 Δ = 14° 08' 48.2" (RT) D = 16' 51' 06.1" L = 83.95' T = 42.19' R = 340.00'

NOTE:
 PLACE TEMPORARY ROCK SEDIMENT DAMS TYPE - B AND TEMPORARY ROCK SILT CHECKS TYPE - A AT DRAINAGE OUTLETS.

CLEARING AND GRUBBING EROSION CONTROL FOR CONSTRUCTION SHEET 10

MATCHLINE -L- STA 87+00.00 (SEE SHEET 9)

MATCHLINE -L- STA 97+00.00 (SEE SHEET 11)



REVISIONS

8/17/99

05.AUG.2023 15:29
 05204_EC-PH-16_C&G.dgn
 NEWMAN