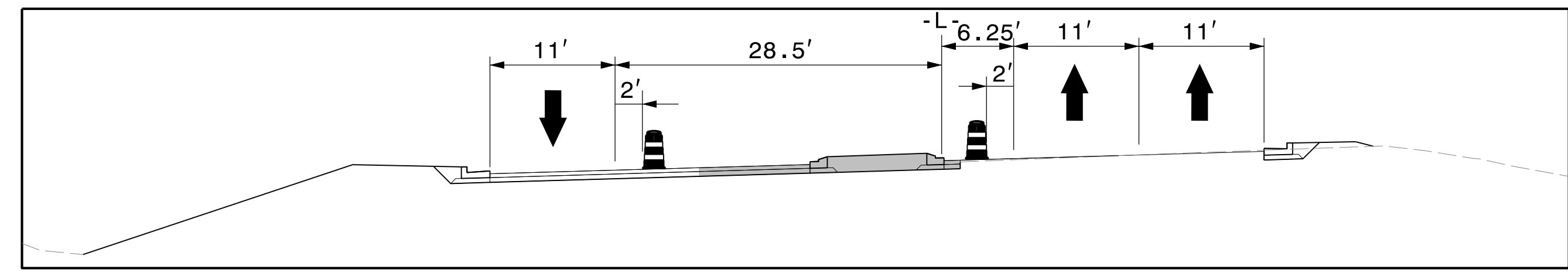
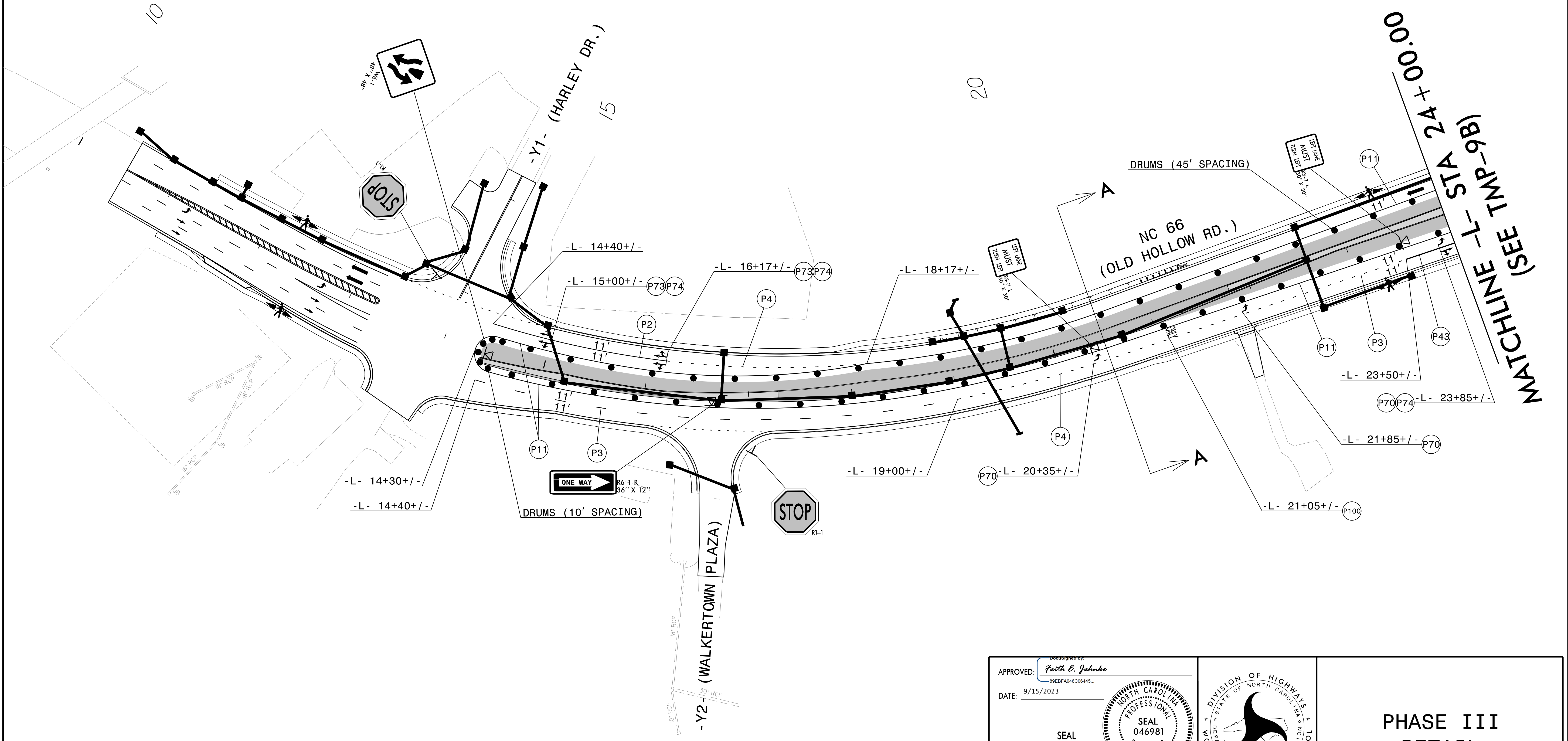
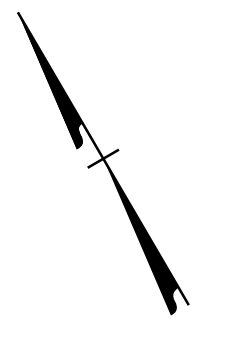


REFERENCE PAVEMENT MARKING PLANS FOR
-Y- LINE PAVEMENT MARKING LOCATIONS
AND DIMENSIONS NOT OTHERWISE SHOWN.



A-A
STA. 20+50



00+00
-L- STA 24+00.00
MATCHLINE -L- STA 24+00.00
(SEE TMP-9B)

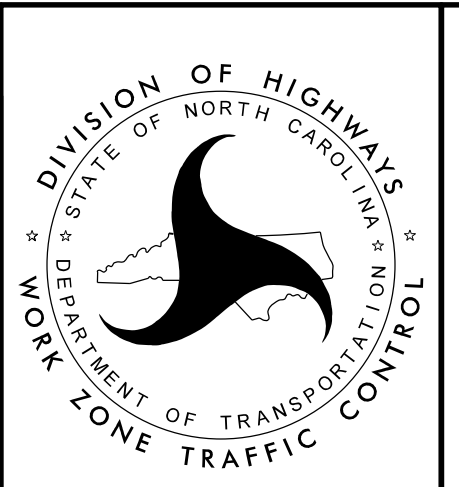
15-AUG-2023 14:56
U5824-1C-TMP-9A.dgn
faith.jahnke

WORK AREA

APPROVED: *Faith E. Jahnke*
DATE: 9/15/2023

SEAL

DOCUMENT NOT CONSIDERED FINAL
UNLESS ALL SIGNATURES COMPLETED



DIVISION OF HIGHWAYS
STATE OF NORTH CAROLINA
DEPARTMENT OF TRANSPORTATION
WORK ZONE TRAFFIC CONTROL

**PHASE III
DETAIL**