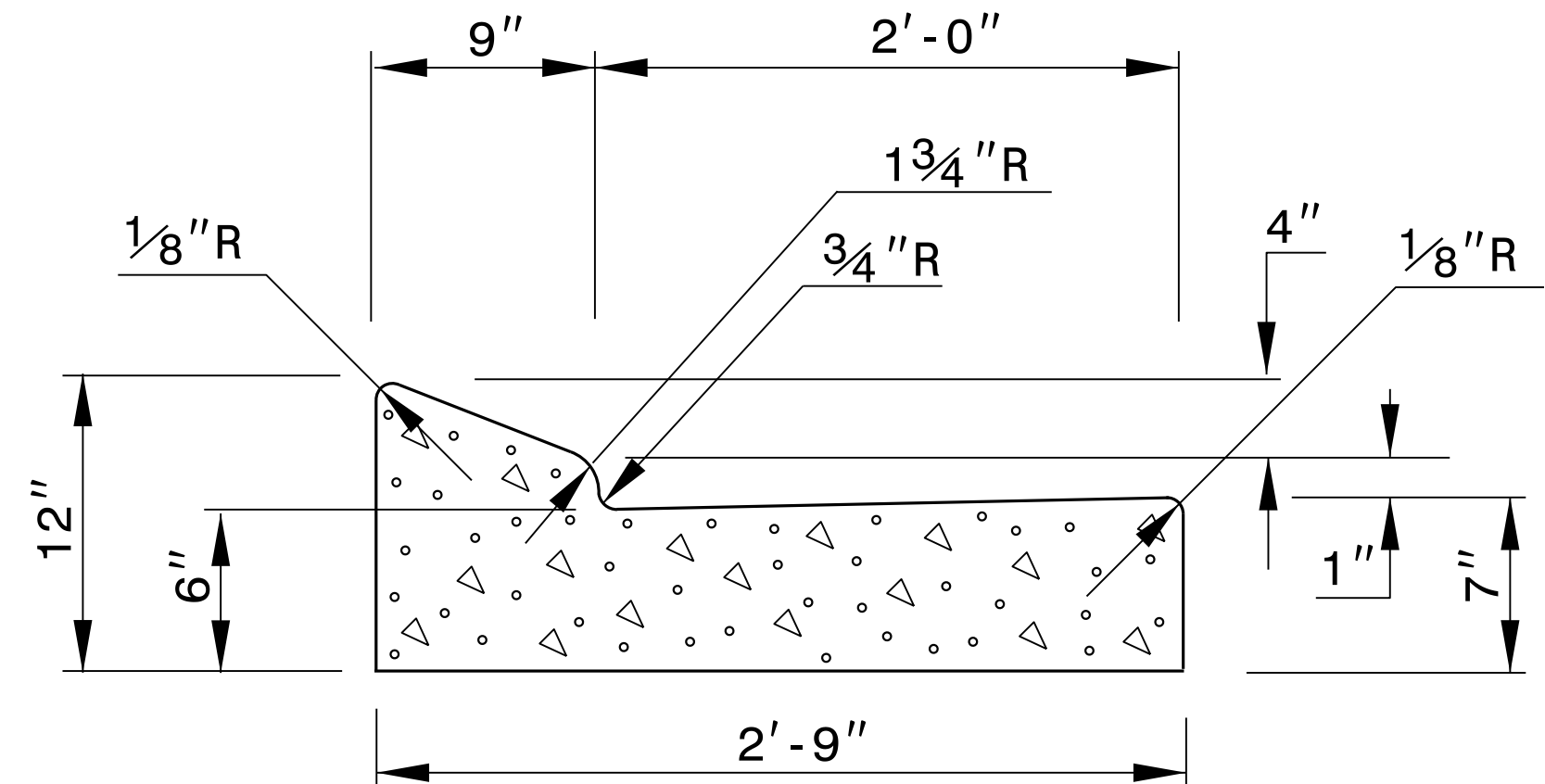
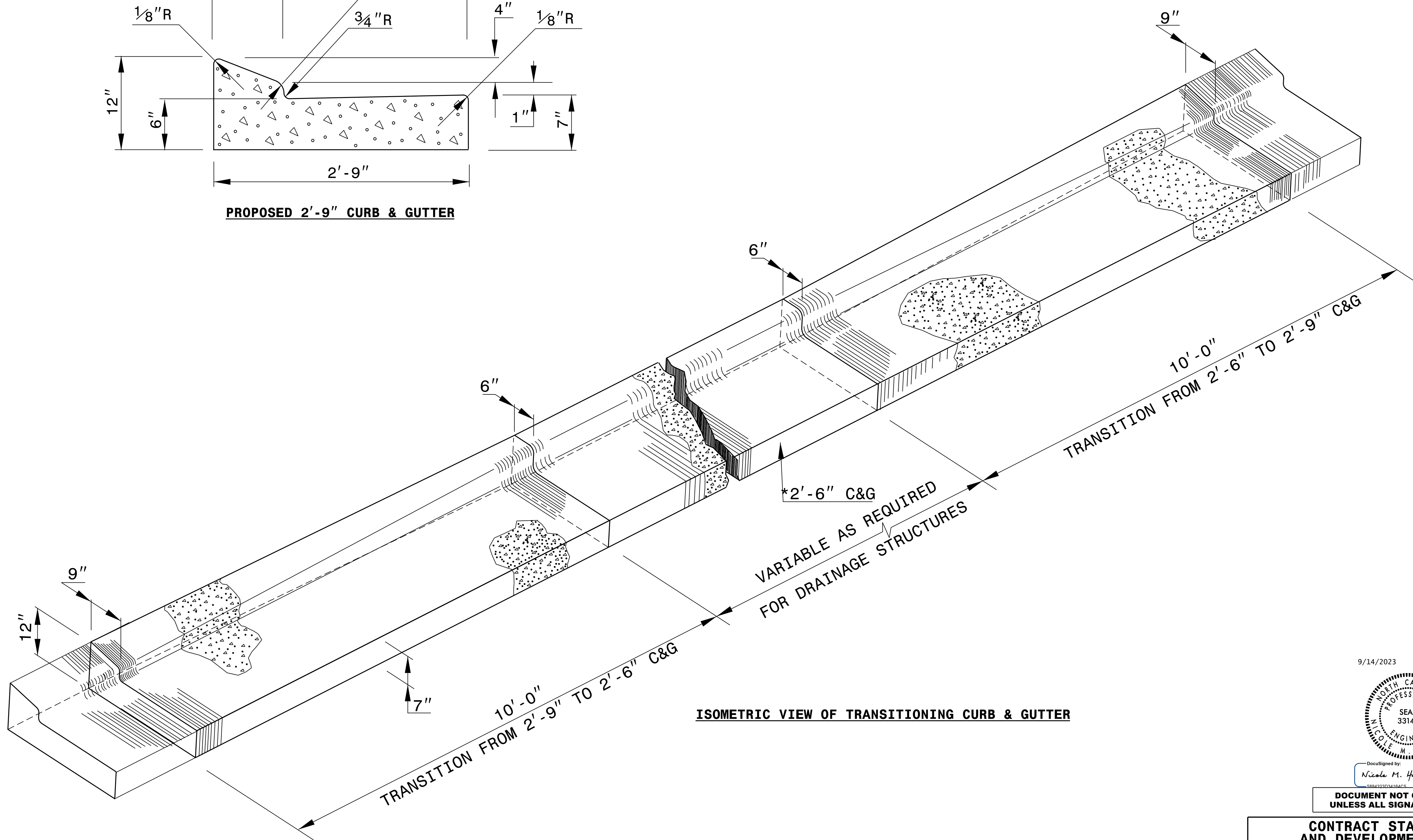


*NOTE: SEE STD. DWG. 846.01
FOR 2'-6" CURB AND GUTTER
INFORMATION.



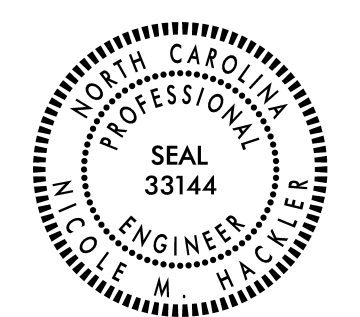
PROPOSED 2'-9" CURB & GUTTER



ISOMETRIC VIEW OF TRANSITIONING CURB & GUTTER

VARIABLE AS REQUIRED
FOR DRAINAGE STRUCTURES

9/14/2023



DocuSigned by:
Nicole M. Hacker
6894292346465

**DOCUMENT NOT CONSIDERED FINAL
UNLESS ALL SIGNATURES COMPLETED**

**CONTRACT STANDARDS
AND DEVELOPMENT UNIT**
Office 919-707-6950 FAX 919-250-4119

**DETAIL OF 2'-9"
TO 2'-6" CURB & GUTTER
TRANSITION SECTION**

ORIGINAL BY: _____ DATE: _____
MODIFIED BY: _____ DATE: _____
CHECKED BY: _____ DATE: _____
FILE SPEC.: D8174:usr/details/stand/cgtransit.dgn